



SIMPLE BUS TOP

**Comelit
2-wire system.**
The ability
to go beyond.

SIMPLE BUS TOP

Two wires, infinite options.

SIMPLE BUS TOP

Believing in evolution means viewing every goal as a new beginning. After inventing the two-wire system and overseeing its development in the field of colour technology, Comelit now offers the innovative Simplebus Top system: it is more evolved, with higher efficiency and a broader user application. A pure two-wire system which uses the same connection to reach from the bottom to the top of a system, guaranteeing easier installation, an even higher level of excellence in terms of performance and a considerable reduction in time and effort on the part of the installer.



**Connection distance of up to 1,200 metres
between external and internal units**

Use of several video switchboards in the same system

Intercom function without additional devices

Up to 120,000 users

Option of connecting up to 500 kits

Option of connecting 16 monitors in parallel



**JUST TWO WIRES
SERVING UP TO
120,000 USERS**

Simplebus Top uses tried-and-tested Comelit self-powered 2-wire digital technology, which offers extremely easy operation in record time and has now been further enhanced to achieve unprecedented performance levels: up to 120,000 users on a single system.



120,000
users

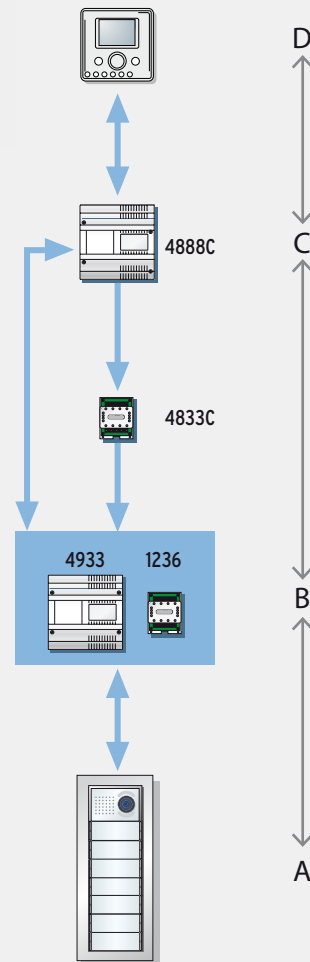
1,200 metres



1,200 METRES WITHOUT LOSING A SINGLE SIGNAL

Simplebus Top can be used to connect internal units as far as 1,200 metres away from the external unit.

Record performance levels make Simplebus Top application even quicker and more convenient for the installer.



CABLE TYPE		A-B	B-C	C-D
1 mm ² (ø 1,2 mm AWG 17)	art. 4577 	200	800	200
0,5 mm ² (ø 0,8 mm AWG 20)	art. 4576-4578 	200	600	200
0,2 mm ² (ø 0,5 mm AWG 24)	UTP cat.5 	150	250	80
0,28 mm ² (ø 0,6 mm AWG 23)		150	300	100
0,5 mm ² (ø 0,8 mm AWG 20)		100	400	120
1 mm ² (ø 1,2 mm AWG 17)		150	450	120
1 mm ² (ø 1,2 mm AWG 17)		80	230	120
1,5 mm ² (ø 1,4 mm AWG 15)		150	450	150

TRANSMISSION OF
EVENT DETECTION
AT HOME ALARM



TRANSMISSION OF
ALARM SIGNAL FROM
INTERNAL UNIT



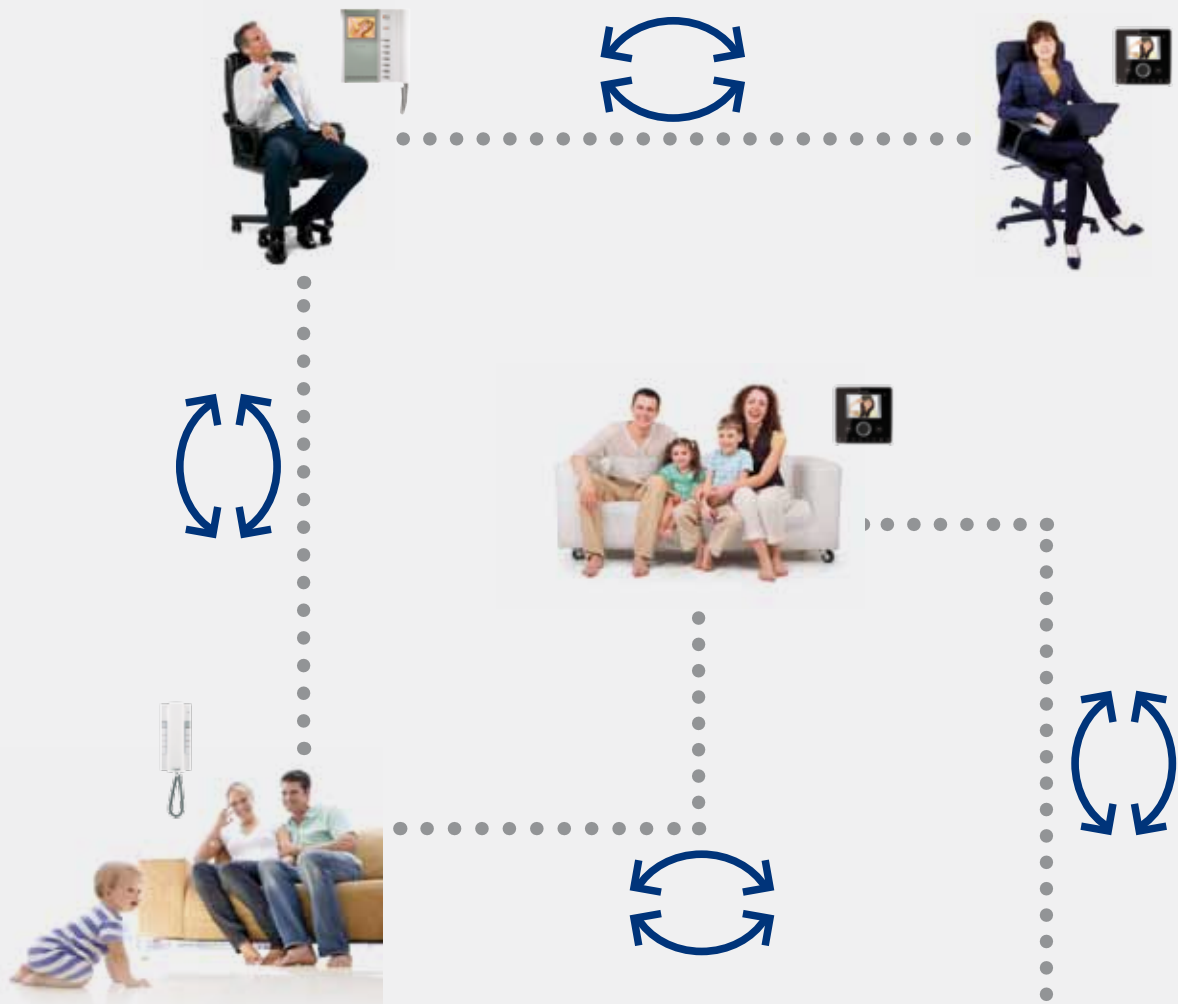
DIRECTORY WITH DIARY
(option of assigning
messages to each name)



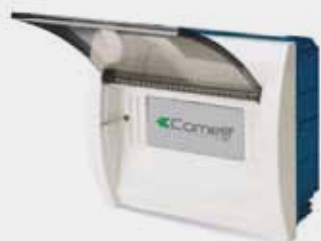
+ video switchboards

OPTION OF HAVING SEVERAL VIDEO SWITCHBOARDS IN THE SAME SYSTEM, WITH MESSAGE AND ALARM MANAGEMENT

With its Simplebus Top technology, the switchboard integrates video control of one or more cameras with alarm control and call transferral. It also offers the freedom of having several switchboards on the same line, and the option of assigning messages to each name (e.g.: switchboard call for Mr Smith, the message "away for the week" appears next to his name).



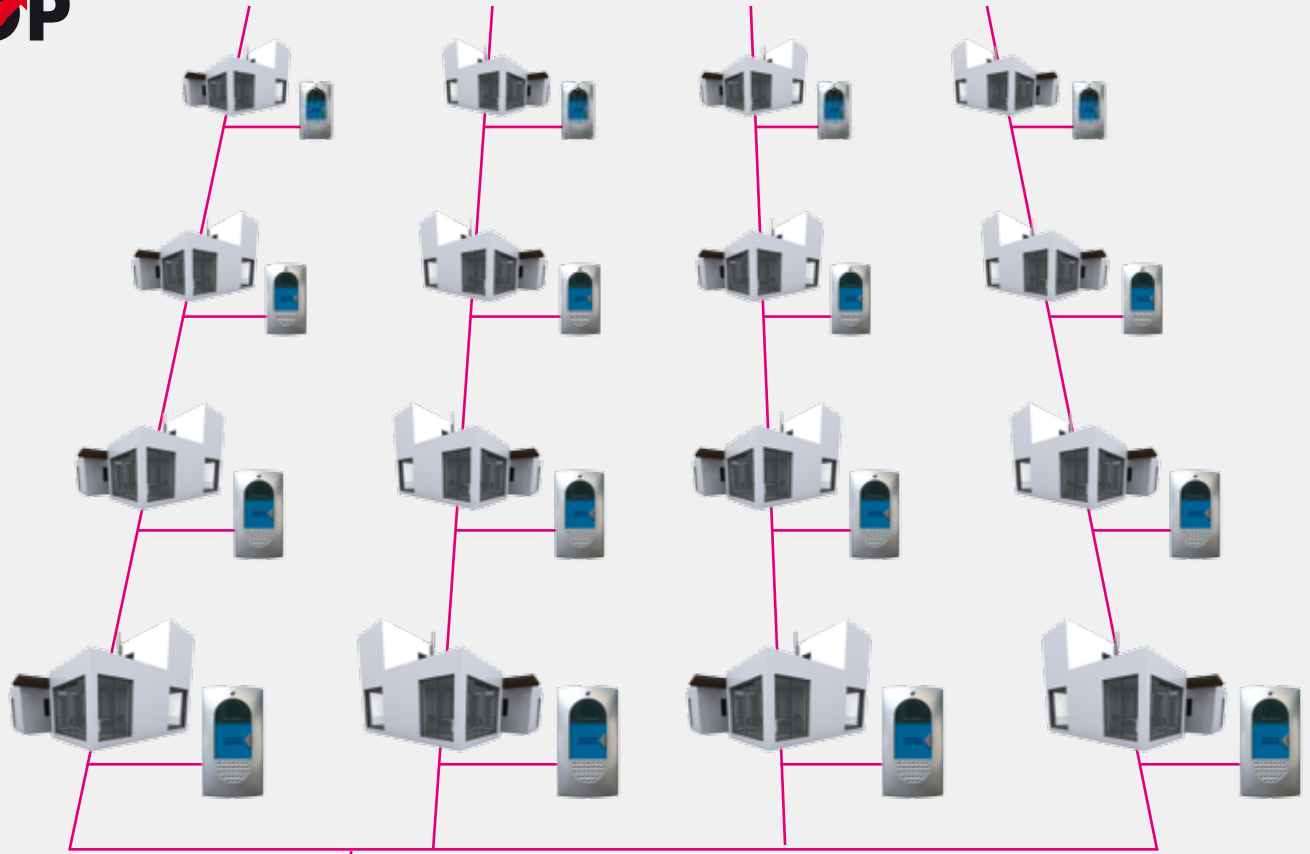
Intercom function WITHOUT additional devices



A SYSTEM COMPLETELY OPEN TO DIALOGUE

Simplebus Top allows users to communicate with each other without having to use additional devices, and without limits being placed on the number of apartments connected. Just 12 DIN modules are used to create a video entry phone system with a fully functioning intercom mode.





Up to 500 kits



OPTION OF INTERCONNECTING AND INTEGRATING UP TO 500 KITS WITHIN THE SYSTEM

The technological potential of Simplebus Top means that up to 500 standard Simplebus kits (B/W or colour video) can be integrated, on a single system line and without any additional devices being required.

16

monitors in parallel with the same call address one single connection for several devices

1

2

3...

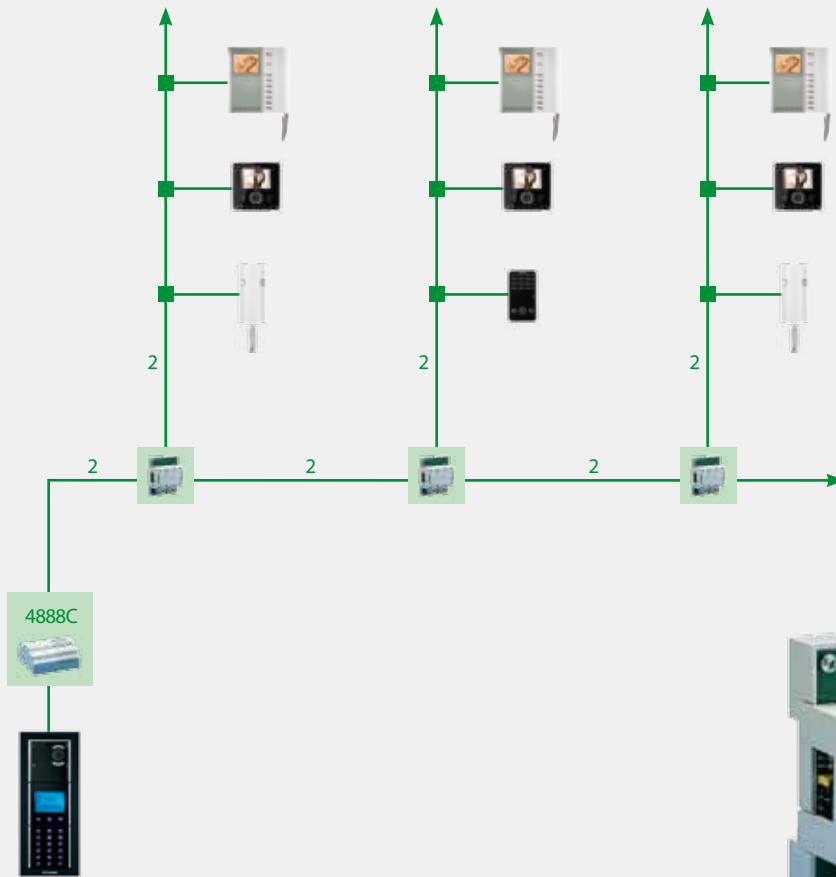
...16



WITH JUST ONE RISER LINE, AND THANKS TO POWER SUPPLY UNIT ART. 1252

Simplebus Top can be used to create a communication network within which up to 16 devices may be connected in parallel using the same address, operating independently but with the option of communicating with one another.

Consistently top-of-the-range devices



Riser distributor

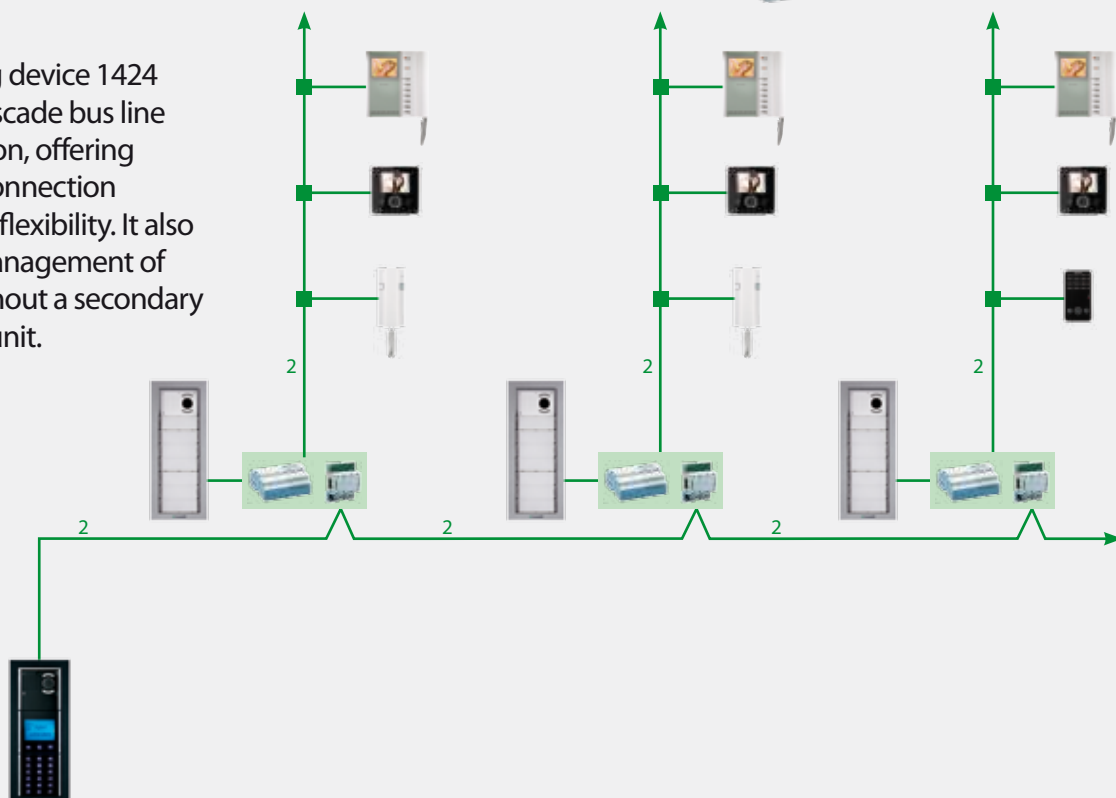
Art. 1414

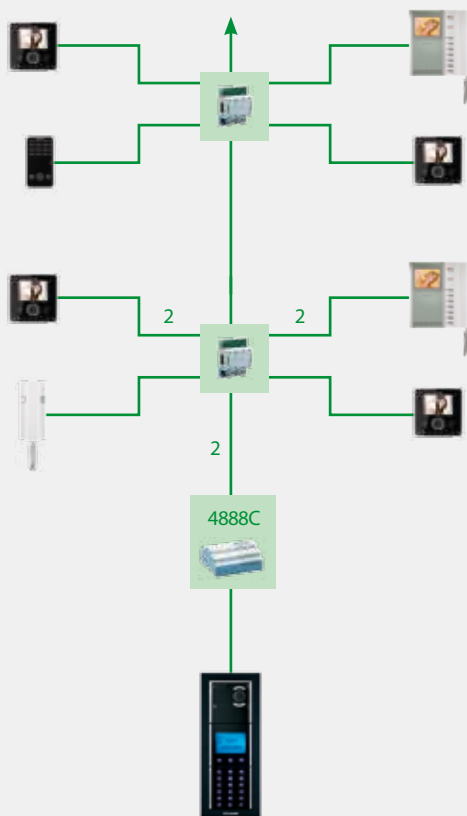
Device which uses the same 2 bus wires to offer a high level of flexibility during installation in any working scenario, and also offers protection against shortage on the riser.



Art. 1424

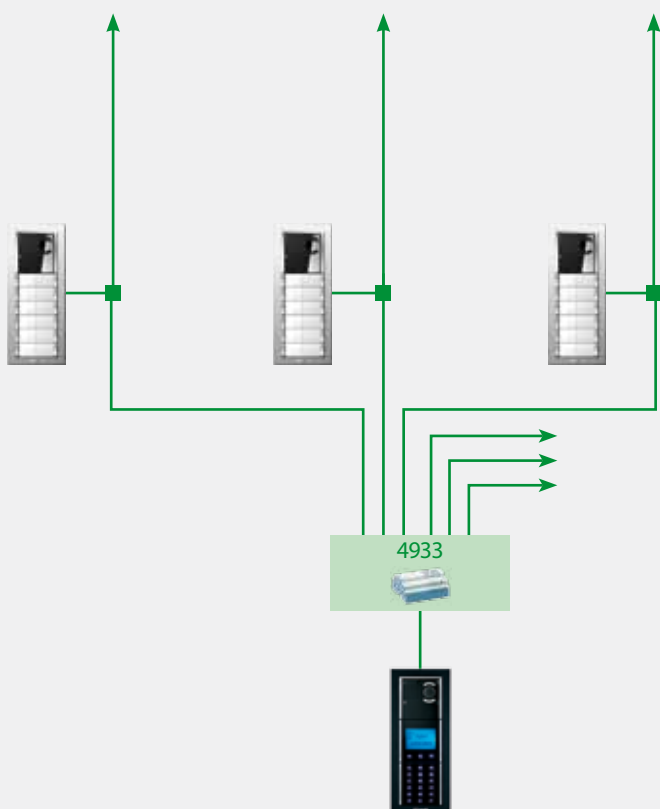
Switching device 1424 allows cascade bus line distribution, offering greater connection topology flexibility. It also allows management of risers without a secondary external unit.





Individual protection device which makes it possible to isolate and identify short circuits on the bus line. Equipped with 4 LEDs, one for each output, it locates the problem immediately. When used in conjunction with the porter switchboard, the mixer and the riser distributor (1414), it offers complete protection.

Art. 1415 Isolated Box



4933 is a concentrator with 6 outputs for star distribution of the video signal which is only directed and amplified towards the riser branch involved in the communication. It regenerates and amplifies the video signal with two levels of gain independently over the 6 outputs to increase the operating distances.



Art. 4933 Amplified signal concentrator

Advanced systems

attractive
design



**Large 62x44 mm
display**



**Customised welcome messages
and information screens**



**Indirect call mode
up to 6 digits**

Call forwarded

 Door open
indication


System busy

Speak now

THE EXTERNAL UNIT BECOMES AN INTEGRATED COMMUNICATION SYSTEM

SimpleBus Top is designed to accommodate the most advanced technology, such as the innovative ICOM external unit, which provides the user with all necessary information in the most accessible and precise manner possible, thanks to its light, audio and visual signals. The original design features a large display which makes it easier to read names in the directory. This useful feature is also combined with the option of displaying welcome messages, dual language mode, the option of alphanumeric code calling and access control with automatic directory updating.



Alphanumeric code call



Dual language option



Integrable access control

Comelit integrated solutions: many different applications.



True progress always includes accessibility, which should positively involve all users. For this reason, Comelit technology places great emphasis on the needs of disabled individuals, offering solutions aimed at improving their quality of life and giving them greater independence at home, in the offi-

ce and in the relationship between humans and architecture in general. Comelit integrated solutions are designed to make managing the home easier, through easily activated automation mechanisms capable of reaching the places others cannot.

Wide-angle display



Units must be installed between 90 and 130 cm from the ground so that disabled individuals can use them. The entrance panel must be located at least 40 cm away from any corners or obstacles in the room, so that a wheelchair may approach it. The wide-angle screen gives perfect coverage of people in chairs as well as those on their feet.

High visibility text Audio and visual signals



Text is easy to read, thanks to the large display which offers excellent visibility whether the user is seated or standing. All indications linked to device operation are provided in both audio and visual form, and are easy to understand.

Sound amplification for hearing aids



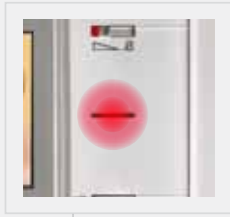
So that hearing aid wearers can perfectly hear everything said by a visitor speaking into the external unit, Comelit technology features a Magnetic Induction system (T-COIL): this function enables transmission of audio signals from the internal unit to the hearing aid and amplifies voice communication (T-COIL).

Tilting units



The option of having "protruding" modules makes it even easier for both people in wheelchairs and those standing in front of the unit to view information and control the technology.

OPTIONAL EXTRAS



DOOR OPEN INDICATOR

A special light indicates that the door is open, confirming that access is possible and offering increased security in the control of that door.



PRIVATE CAMERA FUNCTION

The internal unit allows direct connection by means of the private camera bracket, for example the unit controlling the apartment door ("electronic spyhole").



art. 5714CV

SIMPLE
BUS
TOP
PRODUCT CATALOGUE

icom

pag. 18

Powercom

pag. 26

Vandalcom

pag. 32

Roma

pag. 38

Diva Audio

pag. 42

Style

pag. 44

Easycom

pag. 50

Maestro

pag. 52

Diva

pag. 54

Planux

pag. 56

Bravo

pag. 60

Genius

pag. 64

**Power supply
units and
accessories**

pag. 68

**System
diagrams**

pag. 76

EXTERNAL UNITS

INTERNAL UNITS

POWER SUPPLY UNITS

DIAGRAMS

icom

The new icom entrance panel, in digital and analogue versions.

the new icom entrance panel stands out due to its performance levels:

- a high resistance to atmospheric agents
- a high resistance to saline fog
- a high degree of watertightness
- a high resistance to heat fluctuations (-20° +45°)
- camera lighting enhanced for optimal vision, even in conditions of critical visibility
- intelligent audio





3110 Flush-mounted box for entrance panel.

No. of Modules	Art.	Dimensions
1	3110/1	118x118x45 mm
2	3110/2	118x207x45 mm
3	3110/3	118x297x45 mm
4	3110/4	118x397x45 mm



3311 Module-holder frame complete with cornice for entrance panel.

Made in die-cast aluminium and coated with special weather-resistant paint.

Modules	White	Silver	Anthracite	Dimensions
1	3311/1W	3311/1S	3311/1A	125x125x15,5 mm
2	3311/2W	3311/2S	3311/2A	125x215x15,5 mm
3	3311/3W	3311/3S	3311/3A	125x305x15,5 mm
4	3311/4W	3311/4S	3311/4A	125x395x15,5 mm



31121 Anodised natural aluminium rain shield for entrance panel.

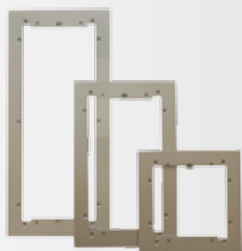
No. of Modules	Art.	Dimensions
1	31121	135x135,5x60 mm
2	31122	135x225,5x60 mm
3	31123	135x315,5x60 mm
4	31124	261x225,5x60 mm
4L*	31124L	135x405,5x60 mm
6	31126	261x315,5x60 mm
9	31129	387x315,5x60 mm

* 4 modules aligned vertically.



3313 Kit with vandal resistant screws and special key

Kit made up of two vandal resistant screws for fixing the frame on to the panel. Special key included.



31141 Anodised natural aluminium cornice for entrance panel

No. of Modules	Art.	Dimensions
1	31141	149x149x3 mm
2	31142	149x239x3 mm
3	31143	149x329x3 mm
4	31144	276x239x3 mm
4L*	31144L	149x419x3 mm
6	31146	276x329x3 mm
9	31149	403x329x3 mm

* 4 modules aligned vertically.

External units | ICOM



31161 31162 31163 31164 31164L 31166 31169

Anodised natural aluminium housing, with rain shield, entrance panel

No. of Modules	Art.	Dimensions
1	31161	135x135x91 mm
2	31162	135x225x91 mm
3	31163	135x315x91 mm
4	31164	261x225x91 mm
4L*	31164L	135x405x91 mm
6	31166	261x315x91 mm
9	31169	387x315x91 mm

* 4 modules aligned vertically.



3639

Pillar for entrance panel with 1 module, height 170

Pillar made of extruded aluminium provided with aluminium rain hood and base for fixing to the floor by means of the expansion bolts provided.

Article	Description	Dimensions
3639/1	Standard with 1 module	18x170x7,5 cm
3639/2	Standard with 2 modules	18x170x7,5 cm
3639/3	Standard with 3 modules	18x170x7,5 cm

3640

Pillar for entrance panel height 117

Pillar made of extruded aluminium provided with aluminium rain hood and base for fixing to the floor by means of the expansion bolts provided.

Article	Description	Dimensions
3640/1	Standard with 1 module	18x117x7,5 cm
3640/2	Standard with 2 modules	18x117x7,5 cm
3640/3	Standard with 3 modules	18x117x7,5 cm



1622

Simplebus system audio speaker unit for icom entrance panel.

Audio speaker unit for Simplebus system, complete with terminal block and digital audio management system with Eco-cancelling, watertight loudspeaker and electret microphone; loudspeaker volume can be adjusted from the front. Complete with microprocessor and DIP SWITCH with 8 positions for programming calls to users. 33Vdc power supply via special power supply unit Art. 1595. On-board electronic lock-release function (3A), plus C, NC, NO 10A relay contacts. For use in modules Art. 33400, 33401 and 33402. Dimensions: 102x55x38 mm. Compatible with all SBTOP functions and products. Allows call addressing for up to 120000 users. Timed lock-release input and door open indication.



1622VC **Module for Simplebus system colour remote camera for icom entrance panel**

Module which allows modulation and transmission of the colour video signal on the riser. On input it has the composite video signal of a colour camera. Complete with microprocessor and DIP SWITCH with 8 positions for programming calls to users. 33Vdc power supply via special power supply unit Art. 1595. Onboard electronic lock-release function (3A), plus C, NC, NO 10A relay contacts. For use in modules Art. 33400, 33401 and 33402. Dimensions: 102x55x38 mm. Compatible with all SBTOP functions and products. Allows call addressing for up to 120000 users. Timed lock-release input and door open indication.



33400 **Zero-button audio module with black faceplate**

Module designed for audio speaker unit, with black screen-printed faceplate. Nameplates with LED lighting (options: blue, white or off). Designed for use with the relevant audio speaker unit which depends on the wiring system used. Dimensions 112x89,5x32 mm.



33400W **White faceplate for zero-button audio module**

White screen-printed faceplate accessory for use with audio module 33400.



33401 **One-button audio module with black faceplate**

Module designed for audio speaker unit, with black screen-printed faceplate. Nameplates with LED lighting (options: blue, white or off). Designed for use with the relevant audio speaker unit which depends on the wiring system used. Dimensions 112x89,5x32 mm.



33402 **Two-button audio module with black faceplate**

Module designed for audio speaker unit, with black screen-printed faceplate. Nameplates with LED lighting (options: blue, white or off). Designed for use with the relevant audio speaker unit which depends on the wiring system used. Dimensions 112x89,5x32 mm.



33401W **White faceplate for one/two-button audio module**

White screen-printed faceplate accessory for use with audio module 33401 or 33402.












33410 **Zero-button audio/video module with black faceplate.**

Module designed for audio/video speaker unit, with black screen-printed faceplate. Nameplates with LED lighting (options: blue, white or off). Designed for use with the relevant audio speaker unit which depends on the wiring system used. Dimensions 112x89,5x32 mm.

External units

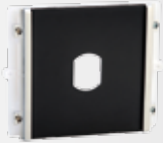
External units | ICOM

	<p>33410W White faceplate for zero-button audio/video module White screen-printed faceplate accessory for use with audio/video module 33410.</p>
	<p>33411 One-button audio/video module with black faceplate Module designed for audio/video speaker unit, with black screen-printed faceplate. Nameplates with LED lighting (options: blue, white or off). Designed for use with the relevant audio speaker unit which depends on the wiring system used. Dimensions 112x89,5x32 mm.</p>
	<p>33412 Two-button audio/video module with black faceplate Module designed for audio/video speaker unit, with black screen-printed faceplate. Nameplates with LED lighting (options: blue, white or off). Designed for use with the relevant audio speaker unit which depends on the wiring system used. Dimensions 112x89,5x32 mm.</p>
	<p>33411W White faceplate for one/two-button audio/video module White screen-printed faceplate accessory for use with audio/video module 33411 or 33412.</p>
	<p>33433 Three-button module - Simplebus system 3-button ICOM entrance panel module for simplebus system. Nameplate lighting options: blue/white/off. Dimensions 112x89,5x40 mm.</p>
	<p>33434 Four-button module - Simplebus system 4-button ICOM entrance panel module for simplebus system. Nameplate lighting options: blue/white/off. Dimensions 112x89,5x40 mm.</p>
	<p>33436 Six-button module - Simplebus-System 6-button ICOM entrance panel module for simplebus system. Nameplate lighting options: blue/white/off. Dimensions 112x89,5x40 mm.</p>
	<p>3334 Plain module with black faceplate Plain module with black faceplate. Dimensions 112x89,5x22.</p>
	<p>3334W White faceplate for plain module White screen-printed faceplate accessory for Art. 3334. Dimensions 87x85,5x3,5.</p>

External units | ICOM



- 3336 Backlight module**
LED backlight module for various indications. Nameplate lighting options: blue/white/off. Contains card for writing names and user codes (max. 12). Dimensions 112x89,5x39 mm).



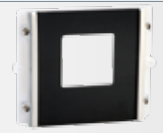
- 3345 PTT module with black faceplate**
Module set up for fitting of door lock with key or reading antenna. Dimensions 112x89,5x22 mm.



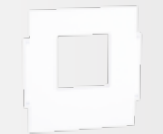
- 3345W White faceplate for ptt module**
White faceplate for PTT module.



- 3348 Digital electronic key module for icomcode entrance panel.**
Digital electronic key module with keypad LED backlighting. Options: blue, white and off. When a number with between 1 and 8 digits is entered on the keypad, two relays (10A) are activated, allowing electric door locks or other devices to be operated. 12 V AC/DC power supply. Dimensions: 112x89,5x40 mm.



- 3349 Simplekey module with black faceplate**
Module set up for use with Simplekey reader Art. SK9000I and SK9001I. Dimensions 112x89,5x22 mm.



- 3349W White faceplate for simplekey module**
White screen-printed faceplate accessory for art. 3349. Dimensions 87x85,5x3,5 mm



- SK9000I Unit complete with SimpleKey Basic administration device**
Unit complete with SimpleKey Basic access control device Independent control unit module + integrated Mifare(R) reader. Airtight PVC case. Capacity: 1500 keys. Programming via single master card. The system is activated when the first card is passed in front of the unit which has not yet been used. It is converted into a master card, to which others may be added. Relay closure can be adjusted by a timer: between 1 and 60 seconds, default 5 seconds. To delete a key, use the SK9093 software. Power supply unit 12-24 V AC/DC and 33V DC.

- SK9001I SimpleKey Advanced complete unit- panel mounting**
Central stand-alone module + Mifare® reader to insert into Comelit housing. Watertight PVC housing. Capacity: 1500 badges per module. Programming: Badges encoded using PC software and USB encoder. Adjustable timer: 1 - 60 seconds, preset to 5 seconds. LED indicator for operation and diagnostics. Stores the previous 1000 events. Option to have "pass" transmitters and to manage primary and secondary doors. 1 entrance and 1 exit alarm. 12 - 24 V AC / DC power supply.

External units

External units | ICOM



3360 **Digital call module complete with electronic directory for ICOM entrance panel with black faceplate.**

Complete with 128x64 dot graphic LCD display and 21-button keypad backlit with blue LEDs. Also functions as a coded electronic key module. Complete with electronic nameplate directory, which stores up to 3800 user names and 6400 lock-release passwords. Names can be scrolled using the two search buttons or by entering the initial letter of the required name. Once the right name has been found, press the call button. The user code can also be entered to make the call directly. It is compatible with all SBTOP functions and products. Allows call addressing for up to 120000 users. It also allows customisation by means of an initial welcome message and offers dual language user interface operation. It can be used in conjunction with Simplekey electronic keys for automatic updating of names in the directory. Includes Cd-Rom with serial download SW Art. 1249B for installation to PC and a USB connection cable. Can be used to quickly program the directory of names in different calling modes, or to enter the lock-release password and initial welcome message. Allows archive management on PC. Dimensions: 112x180x40 mm.



3360W **Digital call module complete with electronic directory for ICOM entrance panel with white faceplate.**

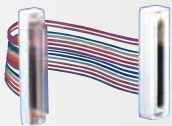
Complete with 128x64 dot graphic LCD display and 21-button keypad backlit with blue LEDs. Also functions as a coded electronic key module. Complete with electronic nameplate directory, which stores up to 3800 user names and 6400 lock-release passwords. Names can be scrolled using the two search buttons or by entering the initial letter of the required name. Once the right name has been found, press the call button. The user code can also be entered to make the call directly. It is compatible with all SBTOP functions and products. Allows call addressing for up to 120000 users. It also allows customisation by means of an initial welcome message and offers dual language user interface operation. It can be used in conjunction with Simplekey electronic keys for automatic updating of names in the directory. Includes Cd-Rom with serial download SW Art. 1249B for installation to PC and a USB connection cable. Can be used to quickly program the directory of names in different calling modes, or to enter the lock-release password and initial welcome message. Allows archive management on PC. Dimensions: 112x180x40 mm.

External units | ICOM



4680C Simplebus audio/video unit with colour camera for ICOM entrance panel

Simplebus Color system audio/video unit with terminal block complete with front-adjustable wide-angle 1/4" colour camera and LED camera illumination. Complete with terminal block and digital audio management system with Eco-cancelling, watertight loudspeaker and electrets microphone; loudspeaker volume can be adjusted from the front. Complete with microprocessor and DIP SWITCH with 8 positions for programming calls to users. Audio-visual indications for disabled individuals assistance request can be activated via programming. 33Vdc power supply via special power supply unit Art. 1595. On-board electronic lock-release function (3A), plus C, NC, NO contacts for 10A relay. For use in modules Art. 33410, 33411 and 33412. Dimensions: 102x55x38 mm. Compatible with all SBTOP functions and products. Allows call addressing for up to 120000 users. Timed lock-release input and door open indication.



3309 Accessory programming cable

Accessory programming cable



1235 Kit for printing nameplate labels

The kit consists of 20 A4 polyester sheets and special software for the quick design and printing of names on the nameplate labels.



1595 33Vdc power supply unit for ICOM entrance panel

Power supply unit with 110-230V primary and 33Vdc 500 mA continuous output, and 1.2A inrush current for external unit with ICOM entrance panel. Equipped with internal protection against overcurrent and short circuits. Dimensions: 71.7x90x62 mm (4 DIN modules).



powercom

POWERCOM is the original and unmistakable Comelit entrance panel which revolutionised design and the way of working in the industry. Its exclusive blue LED illumination gives the entrance panel a magical charm at night. Simple, strong and clean-cut lines, attractive colours and top quality materials, such as the frames, the aluminium finishing frames and the stainless steel fascias make POWERCOM an entrance panel which combines sturdiness with style. The entrance panel is IP54 rated (protection index).

POWERCOM is the result of an extremely advanced technological project, featuring total modularity. Solutions from 1 to 12 modules are available and plates with several buttons can be created with the greatest of ease.



3110 Flush-mounted box for entrance panel

No. Modules	Article	Dimensions
1	3110/1	118x118x45 mm
2	3110/2	118x207x45 mm
3	3110/3	118x297x45 mm
4	3110/4	118x397x45 mm



3311 Module-holder frame complete with cornice

Made of die-cast aluminium and coated with special finishes for resistance to external environments.

No. Modules	White	Grey	Bleu	Orange	Dimensions
1	3311/1W	3311/1G	3311/1B	3311/1O	125X125X15.5 mm
2	3311/2W	3311/2G	3311/2B	3311/2O	125X215X15.5 mm
3	3311/3W	3311/3G	3311/3B	3311/3O	125X305X15.5 mm
4	3311/4W	3311/4G	3311/4B	3311/4O	125X395X15.5 mm



3312 Rain shield

No. Modules	Article	Dimensions
1	3312/1	135x135,5x60 mm
2	3312/2	135x225,5x60 mm
3	3312/3	135x315,5x60 mm
4	3312/4	261x225,5x60 mm
4L*	3312/4L	135x405,5x60 mm
6	3312/6	261x315,5x60 mm
9	3312/9	387x315,5x60 mm

* 4 vertical modules.



3313 Kit with vandal resistant screws and special key

Kit made up of two vandal resistant screws for fixing the frame on to the panel. Special key included.



3314 Cornices

No. Modules	Article	Dimensions
1	3314/1	149x149x3 mm
2	3314/2	149x239x3 mm
3	3314/3	149x329x3 mm
4	3314/4	276x239x3 mm
4L*	3314/4L	149x419x3 mm
6	3314/6	276x329x3 mm
9	3314/9	403x329x3 mm

* 4 vertical modules.



3316 Stainless steel surface-mounted housing

No. Modules	Article	Dimensions
1	3316/1	123x123x32,5 mm
2	3316/2	123x213x32,5 mm
3	3316/3	123x303x32,5 mm
4	3316/4	249x213x32,5 mm
4L*	3316/4L	123x393x32,5 mm
6	3316/6	249x303x32,5 mm
9	3316/9	375x303x32,5 mm

* 4 vertical modules.

External units | POWERCOM



3319 Surface-mounted housing with rain roof

No. Modules	Article	Dimensions
1	3319/1	135x135x91 mm
2	3319/2	135x225x91 mm
3	3319/3	135x315x91 mm
4	3319/4	261x225x91 mm
4L*	3319/4L	135x405x91 mm
6	3319/6	261x315x91 mm
9	3319/9	387x315x91 mm

* 4 vertical modules.



3639 Pillar for POWERCOM entrance panel with 1 module, height 170

Pillar made of extruded aluminium provided with aluminium rain hood and base for fixing to the floor by means of the expansion bolts provided.

Article	Description	Dimensions
3639/1	Standard with 1 module	18X170X7.5 cm
3639/2	Standard with 2 modules	18X170X7.5 cm
3639/3	Standard with 3 modules	18X170X7.5 cm

3640 Pillar for entrance panel height 117

Pillar made of extruded aluminium provided with aluminium rain hood and base for fixing to the floor by means of the expansion bolts provided.

Article	Description	Dimensions
3640/1	Standard with 1 module	18x117x7,5 cm
3640/2	Standard with 2 modules	18x117x7,5 cm
3640/3	Standard with 3 modules	18x117x7,5 cm



3649 Angled housing for the entrance panel at 45°

Housing made of aluminium which allows the POWERCOM entrance panel to be angled at 45°. Once installed, the housing angles the entrance panel laterally towards the user for easier and more practical use.

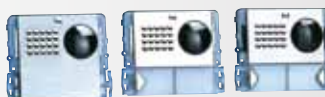
No. Modules	Article	Dimensions
1	3649/1	183X130X100 mm
2	3649/2	183X242X100 mm
3	3649/3	183X354X100 mm



3320 Module preset for audio speaker units

Module preset for audio speaker unit, with stainless steel front and blue LED for nameplate label illumination. To be completed with the relative audio speaker unit which depends on the cabling system used.

No. Pushbuttons	Article	Dimensions
0	3320/0	112X89.5X32 mm
1	3320/1	112X89.5X32 mm
2	3320/2	112X89.5X32 mm



3321 Module preset for audio video units

Module prepared for audio/video speaker unit, with stainless steel front and blue LED for nameplate label illumination. To be completed with the relative audio/video unit which depends on the cabling system used.

No. Pushbuttons	Article	Dimensions
0	3321/0	112X89.5X32 mm
1	3321/1	112X89.5X32 mm
2	3321/2	112X89.5X32 mm

External units | POWERCOM



3323 Call pushbutton modules

No. Pushbuttons	Article	Dimensions
3	3323/3	112X89.5X40 mm
4	3323/4	112X89.5X40 mm
6	3323/6	112X89.5X40 mm



3324 Plain module

Dimensions: 112X89.5X22 mm.



3325 PTT module

Dimensions: 112X89.5X22 mm



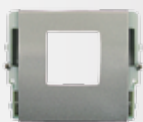
3326 Module illuminated from the rear

Module illuminated from the rear with LED for various signals.
Dimensions: 112X89.5X38 mm.



3328 Powercode coded access module

Powercode electronic digital key module with keypad illuminated with blue LED's. By entering a number with 1 to 8 figures on the keypad, two relays (10 A) are activated, which allow electric locks or other devices to be operated. 12 V AC/DC power supply. Dimensions: 112X89.5X40 mm.



3329 Powercom module

Designed to house the SK9000, SK9001 and SK9030 units management device • Stainless steel module for integration into Powercom units • Dimensions: 4.4"x3.5"x0.9"



3340 Digital call module complete with electronic name directory

Complete with 128X64 dot graphic LCD display, keypad with 16 push-buttons illuminated from the rear with blue LED's. Also operates as coded electronic key. It is complete with electronic name directory, which stores 400 user names. Name scrolling is carried out by using two search pushbuttons or by entering the initials of the name. Once the desired user name is displayed, simply press the call pushbutton. It is also possible to send the call by entering the user code directly. User programming is carried out in a simple way using programmer Art. 1230 or by means of the software for PC Art. 1249/A. Dimensions: 112X180X40 mm. From the RI21 it is compatible with all SBTOP functions and products. Allows call addressing for up to 120000 users. It also allows customisation by means of an initial welcome message and offers dual language user interface operation. It can also be used in conjunction with Simplekey electronic keys for automatic updating of names in the directory.

External units | POWERCOM



SK9000 SimpleKey Basic management device complete unit-panel mounting

Stand-alone control unit module + integrated Mifare® reader to insert into Comelit housing. Watertight PVC housing. Capacity: 1500 tokens. Simple programming by using Master Badge. Delivered ready for use. Start-up is initiated when you swipe the first badge over the unused unit. This becomes the master badge from which you can then add other badges. Adjustable timer lock output: 1 - 60 seconds, preset to 5 seconds. Edit the list of token numbers with portable programmer SK9070 or software SK9093 to cancel a badge. 12 - 24 V AC / DC power supply.

SK9001 SimpleKey Advanced complete unit- panel mounting

Central stand-alone module + Mifare® reader to insert into Comelit housing. Watertight PVC housing. Capacity: 1500 badges per module. Programming: Badges encoded using PC software and USB encoder Adjustable timer: 1 - 60 seconds, preset to 5 seconds. LED indicator for operation and diagnostics. Stores the previous 1000 events. Option to have "pass" transmitters and to manage primary and secondary doors. 1 entrance and 1 exit alarm. 12 - 24 V AC / DC power supply.



3342 Electronic name directory module

Electronic name directory module, with 128X64 dot graphic display. It stores 400 user names. Name scrolling is carried out by using two search pushbuttons. Once the desired user name is displayed, simply press the call pushbutton. User programming is carried out in a simple way using programmer Art. 1230 or by means of the software for PC Art. 1249/A. Dimensions: 112X89.5X40 mm. From the RI21 it is compatible with all SBTOP functions and products. Allows call addressing for up to 120000 users. It also allows customisation by means of an initial welcome message and offers dual language user interface operation. It can also be used in conjunction with Simplekey electronic keys for automatic updating of names in the directory.



3344 Name directory/information module

Module illuminated from the rear with blue LED, complete with label for writing the names and codes of the users (12 max). Dimensions: 112X89.5X38 mm.



3346 System engaged signalling module

Complete with flashing blue LED for visual indication of the engaged state. The transparent label is supplied blank to insert the wordings in all languages. Dimensions: 112X89.5X38 mm.



3346SV POWERCOM Module disabled

The POWERCOM Unit Art. 3346SV is used to visually and acoustically signal the system operating status, playing voice messages and through 4 coloured LEDs: 1 red LED: call on hold, waiting for a reply, 2 yellow LED: conversation in progress, 3 green LED: door release active and 4 blue LED: line busy. This unit can be mounted on Simplebus 2 and Simplebus Color systems.

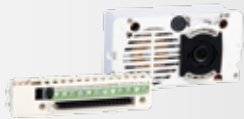
External units | POWERCOM


1602
Audio speaker unit

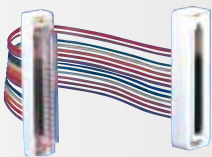
Audio speaker unit for Simplebus system with terminal board and double amplifier, watertight loudspeaker and electret microphone. Both, microphone and loudspeaker volumes, can be adjusted from the front. Complete with microprocessor and DIP SWITCH with 8 positions for programming the calls to the users. 12 V AC power supply (use Art. 1395/A). Electronic door-opening function on board (3A). To be inserted in modules Art. 3320/0, 3320/1 and 3320/2. Dimensions: 102X55X35 mm. From the RI27 it is compatible with all SBTOP functions and products. It allows call addressing for up to 120000 users.

1602VC
Module for remote camera

Module which allows modulation and transmission of the video signal on the riser. On input it has the composite video signal of a B/W camera. Power supply: 12V AC. Dimensions: 102X55X35 mm. From the RI002 it is compatible with all SBTOP functions and products. It allows call addressing for up to 120000 users.


4660C
Audio video unit with colour camera

Simplebus colour system audio-video unit with terminal board complete with camera pin-hole CCD 1/4" colour adjustable from the front and LED camera illumination. Complete with audio speaker unit with double amplifier, watertight loudspeaker and electret microphone. Both, microphone and loudspeaker volumes, can be adjusted from the front. To be inserted in modules arts. 3321/0, 3321/1 and 3321/2. Dimensions: 102X55X35 mm. From the RI013 it is compatible with all SBTOP functions and products. It allows call addressing for up to 120000 users.


3309
Accessory programming cable

Accessory programming cable.


1234/PW
Kit for printing nameplate labels

The kit consists of a floppy disk with a file in word and 20 polyester A4 format sheets, and allows rapid and immediate printing of the names on the nameplate labels.


1249/A
Software

Software on CD ROM to be installed on a PC, complete with cable for connection between the digital module art. 3340, 3342, 3070/A or 3072/A and the 9 PIN serial of the PC. It allows the name directory to be programmed rapidly and allows management of the archives on a PC. Fitted with cable to adapt the USB port of the PC to 9 PIN serial. From the RI002 it is compatible with all SBTOP functions and products.

vandalcom



VANDALCOM is the anti-vandal stainless steel entrance panel from Comelit, specifically designed to withstand the most violent acts of vandalism. It is available in audio, audio-video and digital versions. VANDALCOM can be installed in any type of building. The frame is available in 2 different colours (steel grey and dark grey) which shows that VANDALCOM is not only sturdy, but also attractive, with careful consideration given to its design. VANDALCOM technology is first and foremost a guarantee of its reliability: boxes made using 1.5 mm thick galvanised aluminium, impact-proof modules created using 2 thick stainless steel plates, stainless steel short stroke buttons and armoured screws. The entrance panel is IP54 rated.



3159 Stainless steel surface-mounted housing

No. Modules	Article	Dimensions
1	3159/1	142X142X58 mm
2	3159/2	142X254X58 mm
3	3159/3	142X366X58 mm



3160 Flush-mounted box

Made of 1.5 mm thick galvanized sheet, complete with special spacers for joining and templating several boxes.

No. Modules	Article	Dimensions
1	3160/1	130X130X58 mm
2	3160/2	130X242X58 mm
3	3160/3	130X354X58 mm



3161 Frame

Made of die-cast aluminium and painted using special powder paints resistant to external environments. Dark grey colour.

No. Modules	Article	Dimensions
1	3161/1	143X143X18 mm
2	3161/2	143X255X18 mm
3	3161/3	143X367X18 mm



3161/A Frame

Made of die-cast aluminium and painted using special powder paints resistant to external environments. Steel grey colour.

No. Modules	Article	Dimensions
1	3161/1A	143X143X18 mm
2	3161/2A	143X255X18 mm
3	3161/3A	143X367X18 mm



3262 Module preset for audio speaker unit

Made of double 2.5 mm stainless steel plate. To be fitted with an audio speaker unit depending on the cabling system used.

No. Pushbuttons	Article	Dimensions
0	3262/0	106X106X5,6 mm
1	3262/1	106X106X5,6 mm
2	3262/2	106X106X5,6 mm



3268 Module VANDALCOM preset for audio/video unit

Module made of double 2.5 mm stainless steel plate. To be fitted with audio/video unit which depends on the cabling system used.

No. Pushbuttons	Article	Dimensions
0	3268/0	106X106X5,6 mm
1	3268/1	106X106X5,6 mm
2	3268/2	106X106X5,6 mm



3064B 4-pushbutton module

Module made of double 2.5 mm stainless steel plate, complete with 4 traditional pushbuttons for the Simplebus digital system. Has an EEPROM memory on board to memorize the call code. Dimensions: 106X106X56 mm.

External units

External units | VANDALCOM



3070/A Steel electronic call module for Simplebus system

Made of double 2.5 mm stainless steel plate, complete with 12 stainless steel pushbutton keypad illuminated from the rear, 16-character alphanumeric display for showing the call codes and interactive messages with the user (engaged, etc.). Also carries out the coded access function with 300 possible different codes with 6 digits. The device controls the relay on board Art. 3262 and 3268. With the PC software Art. 1249/A, it is possible to download codes (up to 6 digits) for calls with indirect addressing. Dimensions: 106X106X56 mm. From the R110 it is compatible with all SBTOP functions and products. It allows call addressing for up to 120000 users.



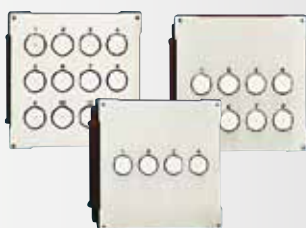
3072/A Steel electronic name directory module for Simplebus system

Made of double 2.5 mm stainless steel plate, complete with 4 stainless steel pushbuttons illuminated from the rear and 32-character alphanumeric display. Memorises 400 user names. Name scrolling is carried out using 2 search pushbuttons. Once the name is displayed, simply press the call button. User programming is simple by means of programmer Art. 1230 or using dedicated software for P.C. Art. 1249/A. Dimensions: 106X106X56 mm. From the R110 it is compatible with all SBTOP functions and products. It allows call addressing for up to 120000 users.



3176 Plain steel module for VANDALCOM entrance panels

Made of double 2.5 mm stainless steel plate. Dimensions: 106X106X9 mm.



3182 Steel module without label for VANDALCOM entrance panels

Made of double 2.5 mm stainless steel plate without nameplate label, to be etched by the user with 4, 8 or 12 pushbuttons.

No. Pushbuttons	Article	Dimensions
4	3182/4	106X106X56 mm
8	3182/8	106X106X56 mm
12	3182/12	106X106X56 mm



3183 VANDALCOM series module for signalling system engaged for Comelbus and Simplebus digital systems

Made of double 2.5 mm stainless steel plate, it is used to indicate the engaged state of systems with traditional entrance panels. Complete with flashing LED for visual indication of the system state. The white translucent card is supplied blank for printing any instructions Dimensions: 106X106X56 mm.



3183SV VANDALCOM visual/acoustic signalling unit

The VANDALCOM Unit Art. 3183SV is used to visually and acoustically signal the system operating status by playing voice messages and through 4 coloured LEDs: 1 red LED: call on hold, waiting for a reply, 2 yellow LED: conversation in progress, 3 green LED: door-release active and 4 blue LED: line busy. This unit can be mounted on Simplebus 2 and Simplebus Color systems.

External units | VANDALCOM



3186 Steel information / nameplate module

Module made of double 2.5 mm stainless steel plate, complete with white label for general information (house n°, etc.) and preprinted label with space for printing the names of 12 users. Dimensions: 106X106X9 mm.



3188 Steel Vandalcode access control module for VANDALCOM entrance panels

Made of double 2.5 mm stainless steel plate, complete with keypad illuminated from the rear. Has 300 different 8 digit codes available which can be programmed from the keypad to control two relays (10A), operation confirmation tones and relay actuation LED. Relay closing time can be programmed from the keypad. Power supply: 12V AC/DC. Dimensions: 106X106X56 mm.



3198 Anti-tamper contact

Anti-tampering contact to be inserted in the flush-mounted box, Dimensions: 51X18X13 mm.



1172 Spare bulb

24V/3W festoon bulb for nameplate label lighting. Pack of 10 pieces.



1602 Audio speaker unit

Audio speaker unit for Simplebus system with terminal board and double amplifier, watertight loudspeaker and electret microphone. Both, microphone and loudspeaker volumes, can be adjusted from the front. Complete with microprocessor and DIP SWITCH with 8 positions for programming the calls to the users. 12 V AC power supply (use Art. 1395/A). Electronic door-opening function on board (3A). To be inserted in modules Art. 3320/0, 3320/1 and 3320/2. Dimensions: 102X55X35 mm. From the RI27 it is compatible with all SBTOP functions and products. It allows call addressing for up to 120000 users.

1602VC Module for remote camera

Module which allows modulation and transmission of the video signal on the riser. On input it has the composite video signal of a B/W camera. Power supply: 12V AC. Dimensions: 102X55X35 mm. From the RI002 it is compatible with all SBTOP functions and products. It allows call addressing for up to 120000 users.



4660C Audio video unit with colour camera

Simplebus colour system audio-video unit with terminal board complete with camera pin-hole CCD 1/4" colour adjustable from the front and LED camera illumination. Complete with audio speaker unit with double amplifier, watertight loudspeaker and electret microphone. Both, microphone and loudspeaker volumes, can be adjusted from the front. To be inserted in modules arts. 3321/0, 3321/1 and 3321/2. Dimensions: 102X55X35 mm. From the RI013 it is compatible with all SBTOP functions and products. It allows call addressing for up to 120000 users.

External units

External units | VANDALCOM



1249/A Software

Software on CD ROM to be installed on a PC, complete with cable for connection between the digital module art. 3340, 3342, 3070/A or 3072/A and the 9 PIN serial of the PC. It allows the name directory to be programmed rapidly and allows management of the archives on a PC. Fitted with cable to adapt the USB port of the PC to 9 PIN serial. From the RI002 it is compatible with all SBTOP functions and products.



3179 Vandalcom module

Designed to house the SK9000, SK9001 and SK9030 units management device. Stainless steel module for integration into Vandalcom units. Dimensions: 106X106X9 mm.



SK9000 SimpleKey Basic management device complete unit-panel mounting

Stand-alone control unit module + integrated Mifare® reader to insert into Comelit housing. Watertight PVC housing. Capacity: 1500 tokens. Simple programming by using Master Badge. Delivered ready for use. Start-up is initiated when you swipe the first badge over the unused unit. This becomes the master badge from which you can then add other badges. Adjustable timer lock output: 1 - 60 seconds, preset to 5 seconds. Edit the list of token numbers with portable programmer SK9070 or software SK9093 to cancel a badge. 12 - 24 V AC / DC power supply.

SK9001 SimpleKey Advanced complete unit- panel mounting

Central stand-alone module + Mifare® reader to insert into Comelit housing. Watertight PVC housing. Capacity: 1500 badges per module. Programming: Badges encoded using PC software and USB encoder Adjustable timer: 1 - 60 seconds, preset to 5 seconds. LED indicator for operation and diagnostics. Stores the previous 1000 events. Option to have "pass" transmitters and to manage primary and secondary doors. 1 entrance and 1 exit alarm. 12 - 24 V AC / DC power supply.



roma

Classic elegance and traditional stylistic values meet with the most modern of functions. ROMA by Comelit is the external unit designed for historical buildings and the most prestigious constructions.

External units | ROMA



Flush-mounted brass entrance panel

Door entry telephone entrance panel with front plate made from solid brass plates 3 mm thick with PVD coating. Complete with flush-mounted box and vandalproof screws. All the entrance panels are fitted with lamp holder (without bulb) for 6.3X39 diameter festoon bulb. The entrance panel must be completed with an audio speaker which depends on the type of cabling.

Article	No. Push.	Rows	Plate dim.	Box dim.	No. Lamp holders
3001/R	1	1	135x247x3 mm	115x181x55 mm	1
3002/R	2	1	135x247x3 mm	115x181x55 mm	1
3003/R	3	1	135x293x3 mm	115x227x55 mm	1
3004/R	4	1	135x293x3 mm	115x227x55 mm	1
3005/R	5	1	135x339x3 mm	115x273x55 mm	1
3006/R	6	1	135x339x3 mm	115x273x55 mm	2
3006/2/R	6	2	180x293x3 mm	160x236x55 mm	2
3008/2/R	8	2	180x316x3 mm	160x259x55 mm	2
3010/2/R	10	2	180x339x3 mm	160x282x55 mm	2
3012/2/R	12	2	180x362x3 mm	160x305x55 mm	2
3014/2/R	14	2	180x385x3 mm	160x328x55 mm	4
3016/2/R	16	2	180x408x3 mm	160x351x55 mm	4
3018/2/R	18	2	180x431x3 mm	160x374x55 mm	4
3020/2/R	20	2	180x454x3 mm	160x397x55 mm	4
3022/2/R	22	2	180x477x3 mm	160x420x55 mm	4
3024/4/R	24	4	340x362x3 mm	320x296x55 mm	3
3028/4/R	28	4	340x385x3 mm	320x319x55 mm	6
3032/4/R	32	4	340x408x3 mm	320x342x55 mm	6
3036/4/R	36	4	340x431x3 mm	320x365x55 mm	6
3040/4/R	40	4	340x454x3 mm	320x388x55 mm	6
3044/4/R	44	4	340x477x3 mm	320x411x55 mm	9
3048/4/R	48	4	340x500x3 mm	320x434x55 mm	9

External units

External units | ROMA



Brass video entry phone entrance panel

Video entry phone entrance panel with front plate made from solid brass plates 3 mm thick with PVD coating. Complete with flush-mounted box and vandalproof fixing screws. All the entrance panels are fitted with lamp holder (without bulb) for 6.3X39 diameter festoon bulb. The entrance panel must be completed with an audio/video unit which depends on the type of cabling.

Article	No. Push. Rows		Plate dim.	Box dim.	No. Lamp holders
3201/R	1	1	135X247X3 mm	115X181X55 mm	1
3202/R	2	1	135X247X3 mm	115X181X55 mm	1
3203/R	3	1	135X293X3 mm	115X227X55 mm	1
3204/R	4	1	135X293X3 mm	115X227X55 mm	1
3205/R	5	1	135X339X3 mm	115X273X55 mm	1
3206/R	6	1	135X339X3 mm	115X273X55 mm	2
3206/2/R	6	2	180X293X3 mm	160X236X55 mm	2
3208/2/R	8	2	180X316X3 mm	160X259X55 mm	2
3210/2/R	10	2	180X339X3 mm	160X282X55 mm	2
3212/2/R	12	2	180X362X3 mm	160X305X55 mm	2
3214/2/R	14	2	180X385X3 mm	160X328X55 mm	4
3216/2/R	16	2	180X408X3 mm	160X351X55 mm	4
3218/2/R	18	2	180X431X3 mm	160X374X55 mm	4
3220/2/R	20	2	180X454X3 mm	160X397X55 mm	4
3222/2/R	22	2	180X477X3 mm	160X420X55 mm	4
3224/4/R	24	4	340X362X3 mm	320X296X55 mm	3
3228/4/R	28	4	340X385X3 mm	320X319X55 mm	6
3232/4/R	32	4	340X408X3 mm	320X342X55 mm	6
3236/4/R	36	4	340X431X3 mm	320X365X55 mm	6
3240/4/R	40	4	340X454X3 mm	320X388X55 mm	6
3244/4/R	44	4	340X477X3 mm	320X411X55 mm	9
3248/4/R	48	4	340X500X3 mm	320X434X55 mm	9



1602 Audio speaker unit

Audio speaker unit for Simplebus system with terminal board and double amplifier, watertight loudspeaker and electret microphone. Both, microphone and loudspeaker volumes, can be adjusted from the front. Complete with microprocessor and DIP SWITCH with 8 positions for programming the calls to the users. 12 V AC power supply (use Art. 1395/A). Electronic door-opening function on board (3A). To be inserted in modules Art. 3320/0, 3320/1 and 3320/2. Dimensions: 102X55X35 mm. From the RI27 it is compatible with all SBTOP functions and products. It allows call addressing for up to 120000 users.

1602VC Module for remote camera

Module which allows modulation and transmission of the video signal on the riser. On input it has the composite video signal of a B/W camera. Power supply: 12V AC. Dimensions: 102X55X35 mm. From the RI002 it is compatible with all SBTOP functions and products. It allows call addressing for up to 120000 users.

External units | ROMA



4660C Audio video unit with colour camera

Simplebus colour system audio-video unit with terminal board complete with camera pin-hole CCD 1/4" colour adjustable from the front and LED camera illumination. Complete with audio speaker unit with double amplifier, watertight loudspeaker and electret microphone. Both, microphone and loudspeaker volumes, can be adjusted from the front. To be inserted in modules arts. 3321/0, 3321/1 and 3321/2. Dimensions: 102X55X35 mm. From the RI013 it is compatible with all SBTOP functions and products. It allows call addressing for up to 120000 users.



1172 Spare bulb

24V/3W festoon bulb for nameplate label lighting. Pack of 10 pieces.



3063B Pushbutton Interface

Module for management of the pushbuttons. Operates in combination with the audio/video modules or with audio module. Allows management of 8 pushbuttons. Dimensions: 45X55X30 mm.



It should be stressed that the DIVA monitor is not compatible with the TOP system when main and secondary switchboards are used in the same system, when the intercom function without interface is present and active and when the alarm function is being managed on the system.



diva

Elegant. Technological. Prized. Comelit reinvents the internal unit and gives it an exclusive design in both form and function. Hands-free DIVA is the "custom-made" article in the sector: from its design to the materials used, from its structure to its controls. The door-entry phone has a "hands free" mode and the audio enabling button features an LED. The lack of handset makes it extremely easy and convenient to use.

Audio Internal units | DIVA



4781 **DIVA hands-free telephone**

Made with ABS and an aluminium facia, hands-free function and call volume adjustment. Fitted with 1 door-opening pushbutton, 1 speech pushbutton provided with LED indication, 1 pushbutton for the "privacy" or manual speak/listen function provided with LED and 3 free (N.O.) pushbuttons for various services. It can be converted into the desk version by adding art. 4782. Dimensions: 94X260X38 mm.



4784 **Bracket for Simplebus Color**

Bracket for Simplebus Color cabling system required to complete the DIVA monitor and telephone. Provided with branch terminal art. 1214/2C. It should be stressed that the bracket is not compatible with the TOP system when main and secondary switchboards are used in the same system, when the intercom function without interface is present and active and when the alarm function is being managed on the system.

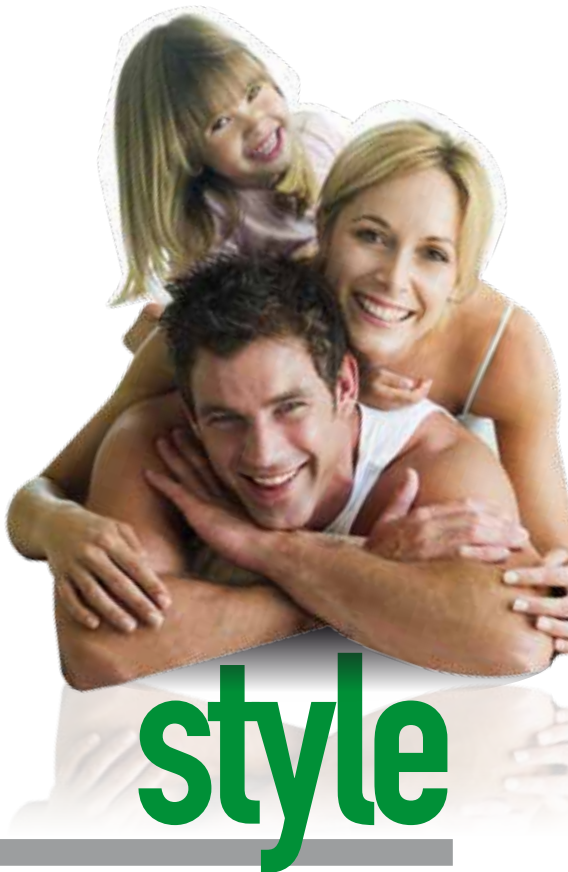
4784I **Bracket for Simplebus Colour with intercom function**

Cabling system required to complete the DIVA monitor and Telephone. Fitted with terminal 1214/2C. It should be stressed that the bracket is not compatible with the TOP system when main and secondary switchboards are used in the same system, when the intercom function without interface is present and active and when the alarm function is being managed on the system.



4782 **Desk base**

Desk base made of anodised aluminium, allows conversion of the DIVA monitor into the desk version. Complete with 1.5 mt of cable and connection bushing for connection. Dimensions: 84X104X245 mm.



Aesthetic lines and the option of personalising its fascia make the STYLE door-entry phone unique and adaptable to any décor. It is a small product, featuring call volume adjustment, call exclusion option (the Privacy function is indicated by a red signal in the top right corner of the door-entry phone) and a cable connecting the handset to the plug-in base. It is available in two versions: Basic and Elegance.

Audio Internal units | STYLE



2608 Basic version telephone for digital Simplebus cabling (only for audio systems)

Telephone with electronic call call tone adjustment, privacy of speech, call tone privacy, door open pushbutton and supplementary pushbutton for porter switchboard call or free (C/N.O.). By means of selection jumper, the second pushbutton can be used to control actuator art. 1256. Allows management of the local floor call and call repetition. Complete with dip-switch with 8 positions for selection of the desired user code. With this model, addition of pushbuttons or supplementary LEDs is not possible. Dimensions: 95X215X58 mm. From the RI006 it is compatible with all SBTOP functions and products.



2610 Elegance version telephone for Simplebus digital cabling with privacy/doctor function and intercom service (the intercom service is only available if the telephone is used in the Simplebus kit)

Telephone with electronic call, call volume adjustment, privacy of speech, call tone privacy. Fitted as standard with door open pushbuttons, porter switchboard call, actuator control Art. 1256 and LED for various functions (engaged and doctor function). Up to 6 supplementary pushbuttons can be added, of which a maximum of 3 LEDs. Allows management of the floor door call and call repetition. Complete with dip-switch with 8 positions for selection of the desired user code. Telephone to be used in mixed audio/video Simplebus 1, Simplebus 2 systems. Fitted with branch terminal art. 1214/2C. With this model, the facia can be replaced. From the RI010 it is compatible with all SBTOP functions and products. Allows direct intercommunication between users with the same address (without the aid of an interface or porter switchboard), transmission of alarm signals to the porter switchboard, separate call to main switchboard, secondary switchboard and guardian door-entry phone. Dimensions: 95X215X58 mm.

Internal units

Audio Internal units | STYLE



2618 Elegance version telephone for digital Simplebus cabling with intercom function

Telephone with electronic call, call volume adjustment, call tone privacy, privacy of speech. Fitted as standard with door open pushbuttons and a further 8 pushbuttons preset for the intercom function or various uses (2 of the pushbuttons can be freed for C/N.O. contact). Fitted with an LED for various signals (engaged, doctor function). To programme the intercom code or another function, it is necessary to use the hand-held programmer art. 1251/A. Complete with dip-switch with 8 positions for selection of the desired user code. Allows management of the floor door call and call repetition. Telephone to be used, in combination with interface art. 4897 supplied by transformer art. 1195, in audio or mixed audio/video systems (Simplebus 1 and Simplebus 2) when the intercom function is required. When used in mixed audio/video systems, the telephone requires terminal art. 1214/2C, to be purchased separately. With this model, the facia can be replaced. Dimensions: 95X215X58 mm. It should be stressed that this entry-phone is not compatible with the TOP system when main and secondary switchboards are used in the same system, when the intercom function without interface is present and active and when the alarm function is being managed on the system.



2619 Elegance version telephone for digital SimplebusTOP cabling with intercom function

Telephone with electronic call, call volume adjustment, call tone privacy, privacy of speech. Fitted as standard with door open pushbuttons and a further 8 pushbuttons preset for the intercom function or various uses (2 of the pushbuttons can be freed for C/N.O. contact). Fitted with an LED for various signals (engaged, doctor function). Complete with dip-switch with 8 positions for selection of the desired user code. Allows management of the floor door call, call repetition, transmission of alarm signals to the porter switchboard, separate call to main switchboard, secondary switchboard and guardian door-entry phone. Allows direct intercommunication between users without the aid of an interface or porter switchboard and the use of several actuators relays; no dedicated programmers needed for pushbuttons programming, Fitted with terminal 1214/2C. With this model, the facia can be replaced. Dimensions: 95X215X58 mm

Audio Internal units | STYLE



2628 Elegance version telephone for digital Simplebus cabling (for mixed systems)

Telephone with electronic call call volume adjustment, privacy call tone , privacy of speech. Fitted with door open pushbutton, switchboard call, actuator control art. 1256 and free (C/N.O.). Up to 6 supplementary pushbuttons can be added, of which a maximum of 3 LEDs. Allows management of the local floor call and call repetition. Complete with dip-switch with 8 positions for selection of the desired user code. Telephone to be used in mixed audio/video systems (Simplebus 1 and Simplebus 2) or in audio systems when the call repetition function is required. Fitted with terminal 1214/2. With this model, the can facia can be replaced. Dimensions: 95X215X58 mm. From the RI005 it is compatible with all SBTOP functions and products.



2628B Elegance version black telephone for digital Simplebus cabling (for mixed systems)

Telephone with electronic call call volume adjustment, call tone privacy, privacy of speech. Fitted with door open pushbutton, switchboard call, actuator control art. 1256 and free (C/N.O.). Up to 6 supplementary pushbuttons can be added, of which a maximum of 3 LEDs. Allows management of the floor door call and call repetition. Complete with dip-switch with 8 positions for selection of the desired user code. Telephone to be used in mixed audio/video systems (Simplebus 1 and Simplebus 2) or in audio systems when the call repetition function is required. Fitted with terminal 1214/2. With this model, the facia can be replaced. Dimensions: 95X215X58 mm. From the RI005 it is compatible with all SBTOP functions and products.



2638 Basic version telephone for simplebus cabling (for mixed systems)

Telephone with electronic call, call volume adjustment, call tone privacy, privacy of speech. Fitted with door open push button, switchboard call, actuator control art. 1256 and free (C/N.O.). By means of selection jumper, the second pushbutton can be used to control actuator art. 1256. Allows management of the local floor call and call repetition. Complete with dip-switch with 8 positions for selection of the desired user code. Telephone to be used in mixed audio/video system (Simplebus 1 e Simplebus 2). Fitted with terminal 1214/2C. With this model, addition of pushbuttons or supplementary LEDs is not possible. From the RI006 it is compatible with all SBTOP functions and products.

Internal units

Audio Internal units | STYLE



2600/1 Pale blue facia for STYLE elegance version telephone

2600/2 Green facia for STYLE elegance version telephone

2600/3 Black facia for STYLE elegance version telephone

2600/4 Orange facia for STYLE elegance version telephone

2600/5 Red facia for STYLE elegance version telephone



2642W/16 White desk base for STYLE telephones with 16 terminals

White desk conversion kit for all the telephones in the STYLE series. Complete with 1.5 mt of white cable and connection bushing fitted with 16 connection terminals. Dimensions 84X189X32 mm.



2642B/16 Black desk base for STYLE telephones with 16 terminals

Black desk conversion kit for all the telephones in the STYLE series. Complete with 1.5 mt of black cable and connection bushing fitted with 16 connection terminals. Dimensions 84X189X32 mm.



2642W/28 White desk base for STYLE telephones with 28 terminals

White desk conversion kit for all the telephones in the STYLE series. Complete with 1.5 mt of white cable and connection bushing fitted with 28 connection terminals. Dimensions 84X189X32 mm.



2642B/28 Black desk base for STYLE telephones with 28 terminals

Black desk conversion kit for all the telephones in the STYLE series. Complete with 1.5 mt of black cable and connection bushing fitted with 28 connection terminals. Dimensions 84X189X32 mm.



1626 Additional pushbutton for STYLE Elegance version series telephones

Pushbutton to be inserted in the base of the telephone. Takes up the space of one element.

Audio Internal units | STYLE



1627

Additional LED for STYLE Elegance version series telephones

Blue LED to be inserted in the base of the telephone.
Takes up the space of one element. 12-24V AC-DC operation.



1627B

Additional LED for STYLE Elegance Black version series telephones

Blue LED to be inserted in the base of the telephone.
Takes up the space of one element. 12-24V AC-DC operation.

EXTERNAL UNITS

INTERNAL UNITS

POWER SUPPLY UNITS

DIAGRAMS

Simple, functional. The EASYCOM wall-mounted door-entry phone from Comelit is a highly-evolved product, as it occupies a minimal amount of space and is easy to use. Its linear shape, positioned vertically, means the appliance can even be installed in areas where space is limited; both white and black versions feature an elegant silver finishing frame, integrating perfectly into any domestic environment, while the blue backlighting effect behind the keys gives the product a modern feel. For a trendy lifestyle in every domestic environment.



easycom

Audio Internal units | EASYCOM



6228W EASYCOM ALL WHITE hands-free door entry phone
 Hands-free door-entry phone with electronic call, call volume adjustment, privacy service, loudspeaker volume adjustment and conversation privacy. Fitted as standard with 3 buttons for audio operation, with audio active indicator LED, lock-release command and command for actuator Art. 1256. The buttons can be configured differently for switchboard call and actuator functions. Allows floor door call and call repetition management. Complete with dip-switch with 8 positions for selection of the desired user code. Door-entry phone for use in mixed audio/video Simplebus 1 and Simplebus 2 systems or in Simplebus KITS. Intercom function (to devices with the same address) in kit and Simplebustop systems. Fitted with distribution terminal art. 1214/2C. It is compatible with all SB-TOP functions and products. Allows direct intercommunication between users with the same address (without the aid of an interface or porter switchboard), separate call to main switchboard, secondary switchboard and guardian door-entry phone. Colour: white. Dimensions: 90x160x28 mm.

6228WBM EASYCOM ALL WHITE hands-free door entry phone - Magnetic induction version



6228B EASYCOM ABSOLUTE BLACK hands-free door entry phone
 Hands-free door-entry phone with electronic call, call volume adjustment, privacy service, loudspeaker volume adjustment and conversation privacy. Fitted as standard with 3 buttons for audio operation, with audio active indicator LED, lock-release command and command for actuator Art. 1256. The buttons can be configured differently for switchboard call and actuator functions. Allows floor door call and call repetition management. Complete with dip-switch with 8 positions for selection of the desired user code. Door-entry phone for use in mixed audio/video Simplebus 1 and Simplebus 2 systems or in Simplebus KITS. Intercom function (to devices with the same address) in kit and Simplebustop systems. Fitted with distribution terminal art. 1214/2C. It is compatible with all SB-TOP functions and products. Allows direct intercommunication between users with the same address (without the aid of an interface or porter switchboard), separate call to main switchboard, secondary switchboard and guardian door-entry phone. Colour: black. Dimensions: 90x160x28 mm.

6228BBM EASYCOM ABSOLUTE BLACK hands-free door entry phone - Magnetic induction version



All the elegance and discretion of an ultra-thin screen in two solutions, available in Silver and Black colour options to meet every furnishing and application requirement: the wall-mounted version, simple to install even without masonry work, and the desk version with a handy base to match the door entry monitor itself.

The 5.6 inch ultra-flat high-definition monitor, the eight microswitch buttons and the audio volume, ringtone volume, brightness and colour adjustment controls make MAESTRO a true symbol of the technological revolution.

Thanks to the 2-wire SimpleBus technology - a Comelit innovation - the MAESTRO door entry monitor offers intercom operation between users, half-duplex hands-free audio operation and the option of a real CCTV video surveillance system. All this and more, in a system which integrates perfectly into any architectural style.

maestro



It should be stressed that the MAESTRO monitor is not compatible with the TOP system when main and secondary switchboards are used in the same system, when the intercom function without interface is present and active and when the alarm function is being managed on the system.



Video Internal units | MAESTRO



5900G MAESTRO Silver Monitor

Colour monitor with 5.6" high-resolution display. Made in ABS with aluminium fascia, half-duplex handsfree function with audio, ringtone, colour and contrast controls. Fitted with 1 door-opening pushbutton, 1 audio pushbutton, 1 pushbutton for the privacy function and 5 pushbuttons for a variety of functions. The monitor converts into the desktop version with art. 5912. Dimensions: 185X185X38mm.



5900B MAESTRO Black Monitor

Colour monitor with 5.6" high-resolution display. Made in ABS with aluminium fascia, half-duplex handsfree function with audio, ringtone, colour and contrast controls. Fitted with 1 door-opening pushbutton, 1 audio pushbutton, 1 pushbutton for the privacy function and 5 pushbuttons for a variety of functions. The monitor converts into the desktop version with art. 5912. Dimensions: 185X185X38mm.



5914C Simplebus Color bracket for MAESTRO monitor

Bracket for Simplebus Color system, required for MAESTRO monitor. Handles local floor calls and call repetition as standard. MAESTRO pushbuttons 1 to 5 can be programmed with programmer art. 1251/A which allows the various functions to be set. 1 button can be free with a N.O contact on the terminal block. Equipped with LED input for a variety of signals. Dimensions: 116X110X19 mm. It should be stressed that the bracket is not compatible with the TOP system when main and secondary switchboards are used in the same system, when the intercom function without interface is present and active and when the alarm function is being managed on the system.



5914CI Bracket for Simplebus Color with intercom function for MAESTRO monitor

Bracket for Simplebus Color system with intercom function, required for MAESTRO monitor. Handles local floor calls and call repetition as standard. MAESTRO pushbuttons 1 to 5 can be programmed with programmer art. 1251/A which allows the various functions to be set. 1 button can be free with a N.O contact on the terminal block. Equipped with LED input for a variety of signals. Dimensions: 116X110X19 mm. It should be stressed that the bracket is not compatible with the TOP system when main and secondary switchboards are used in the same system, when the intercom function without interface is present and active and when the alarm function is being managed on the system.



5912 Desk base for MAESTRO monitor

Desk base converts the MAESTRO monitor into the desktop version. Complete with 2 m of cable and connection box. Dimensions: 180X180X180 mm.

It should be stressed that the DIVA monitor is not compatible with the TOP system when main and secondary switchboards are used in the same system, when the intercom function without interface is present and active and when the alarm function is being managed on the system.



diva

Elegant. Technological. Prized. Comelit reinvents the internal unit and gives it an exclusive design in both form and function. Hands-free DIVA is the “custom-made” article in the sector: from its design to the materials used, from its structure to its controls.

Hands-free DIVA can be transformed quickly into a desk version thanks to a special and original base, created in harmony with the design of the instrument itself. DIVA has a 3.5” high-resolution LCD display; the lack of handset makes it extremely easy and convenient to use.

DIVA has a “privacy” button with a special circuit which can be used to exclude the call service temporarily (overnight or at weekends).

Video Internal units | DIVA



4780 DIVA hands-free telephone

Made of ABS with aluminium front, fitted with hands-free function, call volume adjustment. Fitted with a door open pushbutton, an open speech channel pushbutton provided with LED, 1 pushbutton for the "Call tone privacy" function provided with LED and 3 free pushbuttons (N.O.) for various services. It can be converted into a desk version by adding art. 4782. Dimensions: 260X127X38 mm.



4780B Black DIVA hands-free monitor

Made of ABS with aluminium front, fitted with hands-free function, call volume adjustment. Fitted with a door open pushbutton, an open speech channel pushbutton provided with LED, 1 pushbutton for the "Call tone privacy" function provided with LED and 3 free pushbuttons (N.O.) for various services. It can be converted into a desk version by adding art. 4782. Dimensions: 260X127X38 mm.



4784 Bracket for Simplebus Color

Bracket for Simplebus Color cabling system required to complete the DIVA monitor and telephone. Provided with branch terminal art. 1214/2C. It should be stressed that the bracket is not compatible with the TOP system when main and secondary switchboards are used in the same system, when the intercom function without interface is present and active and when the alarm function is being managed on the system.

4784I Bracket for Simplebus Colour with intercom function

Cabling system required to complete the DIVA monitor and Telephone. Fitted with terminal 1214/2C. It should be stressed that the bracket is not compatible with the TOP system when main and secondary switchboards are used in the same system, when the intercom function without interface is present and active and when the alarm function is being managed on the system.



4782 Desk base

Desk base made of anodised aluminium, allows conversion of the DIVA intercom into a desk version. Complete with 1.5 mt of cable and box for connection. Dimensions: 84X104X245 mm.

PLANUX is revolutionising the very concept of the door entry monitor in both form and function, thanks to its innovative technology offering incredible versatility and optimal management convenience, as well as the “sensitive touch” monitors, where functions are controlled simply by touching the panel with a finger.

A monitor measuring just 145x145 mm and a 3.5” colour display in several application variants, designed to satisfy all décor-related and personal usage requirements.

There are three installation options: flush-mounted with a side overlap of just 8 mm, wall-mounted with a side thickness of 33 mm and an adjustable tilt version to facilitate use by disabled individuals in accordance with new regulations. The desk version is uniquely elegant and functional, and comes with a matching base.

All versions have a strong personality. Three different colours for three different lifestyles, to help you keep an eye on your world: Classic, Prestige and Trendy.

planux



Video Internal units | PLANUX



6101B PLANUX monitor ABSOLUTE BLACK

3.5" colour monitor with OSD. Equipped with "sensitive touch" technology and full-duplex hands-free function. Audio, ring-tone, colour, brightness and contrast controls. You can select the ringtone you want from a choice of 7 different tunes. Equipped with door lock release pushbutton with LED, audio enable/disable pushbutton with LED, privacy or doctor function (selectable from menu) pushbutton, automatic switch-on pushbutton, 2 spare pushbuttons for various uses and 4 pushbuttons for menu access, navigation and confirmation. The monitor can be converted into a desktop version using art. 6112. Dimensions 145X145X33mm.

6101BBM PLANUX monitor ABSOLUTE BLACK- Magnetic Induction version



6101W PLANUX monitor ALL WHITE

3.5" colour monitor with OSD. Equipped with "sensitive touch" technology and full-duplex hands-free function. Audio, ring-tone, colour, brightness and contrast controls. You can select the ringtone you want from a choice of 7 different tunes. Equipped with 1 door lock release pushbutton with LED, audio enable/disable pushbutton with LED, privacy or doctor function (selectable from menu) pushbutton, automatic switch-on pushbutton, 2 spare pushbuttons for various uses and 4 pushbuttons for menu access, navigation and confirmation. The monitor can be converted into a desktop version using art. 6112. Dimensions 145X145X33mm.

6101WBM PLANUX monitor ALL WHITE - Magnetic Induction version



6114C Bracket for wiring Simplebus Color for PLANUX monitor.

Bracket for Simplebus Color required for the PLANUX monitor. The video door entry system is complete conversation privacy as standard. Handles local floor calls and call repetition as standard. Dimensions: 96X106X17 mm. From the RI15 it is compatible with all SBTOP functions and products. Allows transmission of alarm signals to the porter switchboard, separate call to main switchboard, secondary switchboard and guardian door-entry phone. Allows direct intercommunication between users without the aid of an interface or porter switchboard and the use of several actuators relays; pushbuttons programming by OSD.

6114CI Bracket with intercom function for wiring Simplebus Color for Planux monitor

The video door entry system is complete with conversation privacy. Handles local floor calls and call repetition as standard. Dimensions: 96X106X17 mm. It should be stressed that the bracket is not compatible with the TOP system when main and secondary switchboards are used in the same system, when the intercom function without interface is present and active and when the alarm function is being managed on the system.

Internal units

Video Internal units | PLANUX



6112 Desktop base with 8 terminals for PLANUX monitor
 Desktop base for converting the PLANUX monitor for desktop use. Complete with 2 m of RJ45 terminated cable for the use of RJ45 wall sockets and connection box. Dimensions: 145X190X120 mm.



6117 Flush-mount box for PLANUX monitor
 Flush-mount box for PLANUX monitor. For use with with tilt accessory art. 6122. Dimensions: 132X132X50 mm.



6120 Surface housing for PLANUX monitor
 Surface housing for PLANUX monitor. Cannot be used with tilt accessory art. 6122. Dimensions: 145X145X26 mm.



6121 Surface Housing for PLANUX monitor
 Long bracket for wall-mounting of PLANUX monitor. For use with tilt accessory art. 6122. Dimensions: 145X145X45 mm.



6122 Tilt accessory for PLANUX monitor
 Accessory for tilting the PLANUX monitor, for use in conjunction with art. 6121 or flush-mount box art. 6117. Dimensions: 136X136X40 mm. Maximum tilt 20°.



6101WM PLANUX Memovideo, Colour ALL WHITE
 3.5" colour PLANUX monitor with TOUCH-SCREEN for simple and complete control and customisation of functions; full-duplex hands-free audio function; audio, ringtone, colour, brightness and contrast adjustment; date and time display. It has 1 key button with LED, 1 audio enabling/disabling button with LED, 1 self-ignition button and 2 buttons for various uses. It also offers customisable polyphonic ringtones. Thanks to the memovideo function, it can also be used to record mini-videos from the external unit on receipt of a call. It is supplied with an SD Card for storing recordings and for further ringtone customisation. The monitor converts into the desktop version with art. 6112. The monitor requires an additional power supply. The power supply reaches the monitor via a transformer (one for each monitor, art.1212/B, 5 DIN modules). It is also possible to use a central power supply unit for all monitors (art.1536, 8 DIN modules, max. 8 monitor). It requires bracket art. 6214C. Colour All White. Dimensions 145x145x33mm.

Video Internal units | PLANUX



6101BM PLANUX Memovideo, Colour ABSOLUTE BLACK

3.5" colour PLANUX monitor with TOUCH-SCREEN for simple and complete control and customisation of functions; full-duplex hands-free audio function; audio, ringtone, colour, brightness and contrast adjustment; date and time display. It has 1 key button with LED, 1 audio enabling/disabling button with LED, 1 self-ignition button and 2 buttons for various uses. It also offers customisable polyphonic ringtones. Thanks to the memovideo function, it can also be used to record mini-videos from the external unit on receipt of a call. It is supplied with an SD Card for storing recordings and for further ringtone customisation. The monitor converts into the desktop version with art. 6112. The monitor requires an additional power supply. The power supply reaches the monitor via a transformer (one for each monitor, art.1212/B, 5 DIN modules). It is also possible to use a central power supply unit for all monitors (art.1536, 8 DIN modules, max. 8 monitor). It requires bracket art. 6214C. Colour Absolute Black. Dimensions 145x145x33mm.



6214C Bracket for Simplebus Color cabling for PLANUX Memovideo

Bracket for Simplebus Color system, required for the PLANUX Memovideo monitor. Local floor calls and call repetition as standard. Dimensions: 96x106x17 mm.



6101Z PLANUX template with two buttons

PLANUX was also designed for people who want the utmost simplicity of use from their internal unit and only want entry call and door lock release functions.

Templates Classic



6101L
White



6101N
Black

Templates Prestige



6101D
Green Valley



6101E
Madre Perla



6101C
Wengé



6101J
Gold

Templates Trendy



6101F
Rock Violet



6101G
Orange Sunshine



6101H
Royal Red



6101I
Blue Sky



bravo



BRAVO is the video entry monitor with a simple and elegant design, adaptable to all types of dwelling. Every detail has been created to ensure elegance, functionality and simple management.

The chrome keys, the plug-in silver handset cord, the white gloss finish combined with the silver coloured base and the etched glass effect fascia are just some of the details which make Bravo an exclusive point of reference within the sector.

The monitor (colour or B/W) is able to satisfy all aesthetic and functional requirements. It is available in 2 versions: handset and hands-free. Coloured faceplates allow customisation of the monitor, adapting it to all stylistic tastes.

Video Internal units | BRAVO



5701 BRAVO handset version B/W monitor

Handset version BRAVO monitor with 4" B/W screen, The chrome keys, the brilliant white gloss finish combined with the silver colour base combined with the etched glass effect facia. It is fitted as standard with door open pushbuttons and two pushbuttons for various functions, signalling LED, brightness adjustment, contrast adjustment, and slide call volume adjustment. The "Call tone" function, which allows the call tone to be temporarily excluded, is standard and is obtained by positioning the call volume on zero. It can be converted into a desk version with art. 5712. Dimensions: 212X225X55 mm.

5701BM BRAVO handset version B/W monitor with induction loop



5702 BRAVO handset version colour Monitor

Handset version BRAVO monitor with 3.5" colour screen. The chrome keys, the brilliant white gloss finish combined with the silver colour base combined with the etched glass effect facia. It is fitted as standard with door open pushbuttons and two pushbuttons for various functions, signalling LED, brightness adjustment, contrast adjustment, and slide call volume adjustment. The "Call tone" function, which allows the call tone to be temporarily excluded, is standard and is obtained by positioning the call volume on zero. It can be converted into a desk version with art. 5712. Dimensions: 212X225X55 mm.

5702BM BRAVO handset version colour monitor with induction loop



5714C Bracket for Simplebus Color cabling for BRAVO and GENIUS handset version Monitor

Bracket for digital Simplebus Colour system needed to complete the BRAVO and GENIUS handset version monitor. The bracket is complete with conversation privacy. The standard pushbuttons on the monitor take on the function of door opener pushbutton, porter switchboard call (alternatively, this can be set as a control for actuator art. 1256) or free pushbutton (C/N.O.) and internal lighting pushbutton or video request. It manages the floor door call and call repetition as standard. Complete with DIP SWITCH with 8 positions for programming the user code. Addition of the pushbutton card art. 5733 allows availability of 4 supplementary pushbuttons. From the RI007 it is compatible with all SBTOP functions and products. Allows transmission of alarm signals to the porter switchboard, separate call to main switchboard, secondary switchboard and guardian door-entry phone. Allows direct intercommunication between users without the aid of an interface or porter switchboard and the use of several actuators relays; no dedicated programmers for pushbuttons programming. Provided with branch terminal 1214/2C.

Internal units

Video Internal units | BRAVO



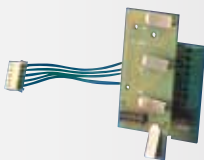
5714CV Bracket for Simplebus Color cabling for BRAVO handset version Monitor

Bracket for digital Simplebus Colour system needed to complete the BRAVO handset version monitor. The bracket is fitted with a video card for the connection of an external camera (via coaxial cable) which picture is viewed on the monitor upon a floor call. The camera picture can also be viewed by pressing the self ignition button. The bracket has to be used with art.1212/B. Thanks to the local power supply the video floor call is possible even when the system is busy. The video card has a 12V DC output (100mA max) for the camera supply as well as a C.NO contact on button 3 of the monitor (not available with the Genius monitor). It is not possible to add any push-button cards or supplementary leds such as 5733 and 5734. The bracket is complete with conversation privacy. The standard pushbuttons on the monitor take on the function of door opener pushbutton, porter switchboard call (alternatively, this can be set as a control for actuator art. 1256) or free pushbutton (C/N.O.) and internal lighting pushbutton or video request. It manages the floor door call and call repetition as standard. Complete with DIP SWITCH with 8 positions for programming the user code. Fitted with branch terminal art. 1214/2C. It should be stressed that the bracket is not compatible with the TOP system when main and secondary switchboards are used in the same system, when the intercom function without interface is present and active and when the alarm function is being managed on the system.



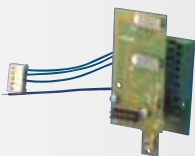
5712 Desk base

Allows conversion into desk version of all the GENIUS/BRAVO monitors both in the handset and hands-free versions. Complete with 2 mt of cable and connection box. Dimensions: 173X186.5X174 mm.



5733 Card with 4 additional pushbuttons

Card with 4 additional pushbuttons (N/O or for digital services), provided with screws. Can be inserted inside all the BRAVO series monitors rapidly without having to open the monitor.



5734 Card with 2 additional pushbuttons and 2 additional LEDs

Card with 2 additional pushbuttons (N/O or for digital services) and 2 additional LEDs, provided with screws. Can be inserted inside all the BRAVO series monitors rapidly without having to open the monitor.

Video Internal units | BRAVO

COLOURED TEMPLATE KIT

To satisfy all aesthetic requirements, it is possible to buy 10 single coloured templates of the same colour or a complete kit containing the 10 coloured templates available. For the purchaseTo purchase a template, add a slash followed by the code indicated below to the BRAVO monitor code. For example, to purchase a kit with 10 an orange templates suitable for the BRAVO B/W handset version art. 5701, n° 1 art 5701/C/3 must be ordered.

DESCRIPTION CODE

- C/A - Kit with 10 coloured templates
- C/1 - Kit with 10 Black templates
- C/2 - Kit with 10 Silver templates
- C/3 - Kit with 10 Orange templates
- C/4 - Kit with 10 Bright green templates
- C/5 - Kit with 10 Multi-coloured vertical striped templates
- C/6 - Kit with 10 Grass design templates
- C/7 - Kit with 10 Child's drawing templates
- C/8 - KKit with 10 Shaded light blue templates
- C/9 - Kit with 10 Shaded red templates
- C/10 - Kit with 10 Earth design templates



genius

White gloss finish ABS body with the option of choosing a 4" black and white (flat) or 3.5" colour (LCD) monitor. GENIUS has 3 buttons, a brightness control knob and a call volume selector (with 3 different positions). Whether wall-mounted or placed on a desk, GENIUS works with all types of systems. In fact, specific brackets are available for Simplebus and Traditional cabling. Thanks to its elegant design it is suited to all types of décor.



Video Internal units | GENIUS



5801 GENIUS Monitor in B/W version

GENIUS monitor with 4" B/W screen, white matt finish. Fitted as standard with blue door-open pushbutton and two grey pushbuttons for various functions. It has brightness control and a selector for the call volume, adjustable to three different positions (high, medium and low). It can be converted into a desk version using art. 5712. Dimensions: 204X225X63 mm.

5801BM GENIUS monitor in B/W version with induction loop



5802 GENIUS Monitor in COLOUR version

GENIUS monitor with 3,5" colour screen, white matt finish. Fitted as standard with blue door-open pushbutton and two grey pushbuttons for various functions. the brightness control and a selector for the call volume, adjustable to three different positions (high, medium and low). It can be converted into the desk version using art. 5712. Dimensions: 204X225X63 mm.

5802BM GENIUS monitor in colour version with induction loop



5714C Bracket for Simplebus Color cabling for BRAVO and GENIUS handset version Monitor

Bracket for digital Simplebus Colour system needed to complete the BRAVO and GENIUS handset version monitor. The bracket is complete with conversation privacy. The standard pushbuttons on the monitor take on the function of door opener pushbutton, porter switchboard call (alternatively, this can be set as a control for actuator art. 1256) or free pushbutton (C/N.O.) and internal lighting pushbutton or video request. It manages the floor door call and call repetition as standard. Complete with DIP SWITCH with 8 positions for programming the user code. Addition of the pushbutton card art. 5733 allows availability of 4 supplementary pushbuttons. From the RI007 it is compatible with all SBTOP functions and products. Allows transmission of alarm signals to the porter switchboard, separate call to main switchboard, secondary switchboard and guardian door-entry phone. Allows direct intercommunication between users without the aid of an interface or porter switchboard and the use of several actuators relays; no dedicated programmers for pushbuttons programming. Provided with branch terminal 1214/2C.

Internal units

Video Internal units | GENIUS



5814C Standard bracket for Simplebus Color cabling of colour version GENIUS monitor

Bracket for Simplebus Color digital system, required to complete the GENIUS monitor. The pushbuttons on the monitor take on the door open pushbutton function, porter switchboard call or control for a generic actuator (relay art. 1256) and staircase lighting or video request pushbutton. Complete with DIP SWITCH with 8 positions for programming the user code. It is compatible with all SB-TOP functions and products. Allows transmission of alarm signals to the porter switchboard, separate call to main switchboard, secondary switchboard and guardian door-entry phone. Allows direct intercommunication between users without the aid of an interface or porter switchboard and the use of several actuators relays; no dedicated programmers for pushbuttons programming. Provided with branch terminal 1214/2C.



5712 Desk base

Allows both the B/W and colour GENIUS monitor to be converted into the desk version. Complete with 2 m of cable and connection box. Dimensions: 173X186.5X174 mm.



and accessories

The use of original Comelit power supply units and accessories allows the construction of systems with consistently high technical and functional standards. Every product, solution or device is the result of the commitment made by the Comelit Research Centre to supporting the installer throughout the installation process.

Power supply units

SimplebusTop | POWER SUPPLY UNITS AND ACCESSORIES

EXTERNAL UNITS

INTERNAL UNITS

POWER SUPPLY UNITS

DIAGRAMS



1122/A Relay

All systems. 12-24 V DC-AC 10 A relay for general uses. Can be controlled directly, for call repetition, from terminals S+ and S of the brackets and/or from the digital telephones Dimensions: 68X85X35 mm (4 DIN modules).



1136/A Relay 12-24V DC-AC with 2 commutations (4 DIN mod.)

Relay 12/24V DC-AC 5A for general uses with 2 commutations. Dimensions: 66X85X35 mm (4 DIN modules).



1195 Transformer which can be applied onto a DIN rail with 12/24 Vac secondary, suitable for internal use in white plastic container

All systems. Transformer with 230V primary. 0-12-24V AC / 60 VA secondary for intermittent use on the 24V output. The transformer is fitted with PTC internal protection.



1200 Transformer

Transformer with primary 230V, secondary 12V AC / 15 VA for continuous use. Dimensions: 53X95X65 mm (3 DIN modules).



1212/B Power supply for additional monitor

Power supply with 230V AC input, 0-20V DC / 15VA output. The transformer is fitted with PTC internal protection. Dimensions: 71.5X90X62 mm (4 DIN modules).



1214/2C Branch terminal for Simplebus Color system

Line branch terminal for GENIUS monitor. The terminal must be connected on the riser to be branched towards brackets or telephones.



1216 Line termination terminal

Line termination terminal. To be mounted at the end of the riser, according to the indications given in the technical documentation, to optimise distribution of the signals.



1224A Audio or audio/video switching device for Simplebus systems

Switching device for audio or audio-video systems with 2 or more entrances. Complete with 2 DIP SWITCHES with 8 positions for defining the user range of the riser. 12V AC power supply. (use transformer Art. 1200/U). Dimensions: 60X85X35 mm (4 DIN modules).



1229 Additional Sounder

Additional bell for call repetition can be controlled directly from terminals S- and S+ of the brackets and/or from the telephones. Surfacemounted or on civil series 503 box. Dimensions: 110X75X29 mm.

Accessories

SimplebusTop | POWER SUPPLY UNITS AND ACCESSORIES



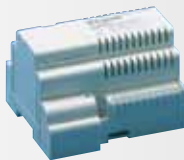
1232 Filter for call repetition output
Filter which can be used for call repetition, to be used on the call repetition terminals of brackets arts. 5714, 5714/I, 5714C and 5714CI.



1236 Bus power supply
Module to be used on the part of the system before mixer art. 4896 or in audio systems to increase the number of users or accessories connectable to a port. 12V AC power supply or 20 V DC. Dimensions: 60X85X35 mm (4 DIN modules).



1251/A Hand-held programmer
Simplebus universal hand-held programmer for the Simplebus articles. Allows programming of all the functions which can be associated with the monitor or telephone pushbuttons (e.g. privacy function, Doctor function, intercom calls, etc.) by means of a guided menu and only requires knowledge of the structure of the system and location of the various devices. Fitted with display and alphanumeric keypad, which can be supplied by batteries or by a plugin power supply for mains operation (230V). For its use, follow the indications given in the technical documentation. Provided with 4 rechargeable penlight batteries and charger. From the RI10 it is compatible with all SBTOP functions and products.



1252 Simplebus Amplifier for additional units in parallel
Up to 16 monitors/telephones can be connected with the same address, in order to ring at the same time. By adding additional Power supplies, all the monitors they can also turn ON simultaneously after a call. Art. 1252 does not provide power to the monitor. Dimensions 6 DIN modules. Power supply 120-230 Vac.



1256 Actuator relay
Intelligent Simplebus device for controlling a 10 A (12-24 V relay contact) on board. It can be used in Simplebus 1 and Simplebus 2 systems. For use and programming of the function required, follow the indications given in the technical documentation. If used in mixed audio/video systems, the actuator relay needs terminal art. 1214/2 to be purchased separately. Power supply: 12V AC or 20V DC. Dimensions: 66X85X35 (4 DIN modules).



1257 TV interface
Art. 1257 is used to send video signals down the BUS line from external units or separate video cameras, to external monitors, televisions or external DVRs. This unit can be used with systems with Simplebus 1, Simplebus 2 and Simplebus Color wiring.



1259C Switcher for remote cameras

Module which allows modulation and transmission of the video signal coming from 3 colour cameras visible sequentially together with the image coming from the external unit. Sequential switching of the cameras is possible by using the Diva, Bravo or Genius actuator pushbutton. Possibility of managing private cameras. Power supply: 12 V AC or 20 V DC. Dimensions: 60X85X35 mm (4 DIN modules).



1395 Transformer

Transformer with 230V primary. 0-12 AC / 60 VA secondary for intermittent use. The transformer is fitted with PTC internal protection. Dimensions: 71.7X90X62 mm (4 DIN modules)



1595 33Vdc power supply unit for icom entrance panel

Power supply unit with 110-230V primary and 33Vdc 500 mA continuous output, and 1,2A inrush current for external unit with ICOM entrance panel. Equipped with internal protection against overcurrent and short circuits. Dimensions: 71,7x90x62 mm (4 DIN modules)



1414 Riser branch unit

Art. 1414 is used to branch a second riser from the outgoing BUS line from the mixer. It can also act as line protection (by default this function is not active). This unit can be used with systems with Simplebus 2 , Simplebus 2 and Simplebus Color wiring, and as it is powered by the 2 wire bus it does not need any additional power supply. Max. 100 users can be connected to each Mixer Art. 4888 or Art. 4888C whatever the number of Art. 1414 used.



1415 User branch unit with integrated line protection

Art. 1415 is used to branch up to 4 internal units on the riser (with a different address for each output) and also acts as a line protection, isolating the branches in the event of power surges or short circuit. This unit can be used with systems with Simplebus 2 and Simplebus Color wiring, and as it is powered by the 2 wire bus it does not need any additional power supply. Max. 100 users can be connected to each Mixer Art. 4888 or Art. 4888C whatever the number of Art. 1415 used, and max. 3 internal units can be connected in cascade for each output of Art. 1415.

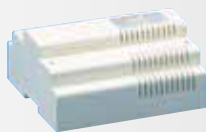


1424 Digital switching device for Simplebus TOP

Switching device 1424 can be used to create Simplebus systems of up to 120,000 users. It can also be used to create multi-villa systems with doors and porter switchboards, centralising up to 500 Comelit Simplebus KITS. Furthermore, the device also makes it possible to control main and secondary switchboards within a system (which can be called independently) and offers alarm signalling to those particular switchboards. It allows cascade bus line distribution as an alternative to star distribution, optimising the connection topology for the part of the system before the mixers 4888 and 4888C. It has a self-powering function for the LS|LS input, which allows riser management without requiring a dedicated secondary external unit. Power supply 12Vac (Art. 1200 may be used) -20Vdc. Housed in a box with 4 DIN modules. Dimensions 60x85x35 mm.

Accessories

SimplebusTop | POWER SUPPLY UNITS AND ACCESSORIES



1536 Power supply for additional monitors (8 DIN modules)

Power supply for additional monitors. 125/220/240V A input, 24V DC / 1A output. Dimensions: 140X140X67 mm (8 DIN modules).



1998A Porter switchboard for Simplebus system

Porter switchboard in desk version with digital keypad and 32 character alphanumeric display. Allows the user code and name to be called and of the user calling to be displayed, keeping the unanswered calls stored in the memory. Day/Night mode and user/user intercom service. From the R1006 it is compatible with all SBTOP functions and products. It allows call addressing for up to 120000 users. It also allows call transmission with indirect codes, management of alarm indications originating from users. Can be used as a main or secondary switchboard. Up to 1000 names can be stored. 0-12-24 Vca power supply with Art. 1195. Dimensions: 158x223x35 mm.



1998VC Video entry phone porter switchboard

The porter switchboard in its desk version with alphanumeric digital keypad and 3.5" colour display, for viewing visitors and controlling entrances. Allows the code and name of the called and calling users to be displayed, keeping unanswered calls stored in the memory. Day/Night mode and user/user intercom service. Allows call addressing for up to 120000 users. It allows call transmission with indirect codes, management of alarm indications originating from users. Can be used as a main or secondary switchboard. Up to 4000 names can be stored. Equipped with USB port, special PC SW for downloading names and bushing for connection to the disconnectable system via RJ cable. Compatible with all SBTOP functions and products. 0-12-24Vac power supply with 1195. Dimensions: 193x223x65 mm.



2904 Telephone interface

The telephone switchboard Art. 2904 is used to easily connect the door entry system to the standard telephone system. When a call is made from the external unit, the telephone interface selects a previously programmed number. This may be a unit number or a normal telephone number. It is possible to directly connect a traditional phone or a DECT cordless phone. When the call from the external unit is answered, communication with the visitor is possible. It is then possible to open the main door or activate any other function of your choice. As the interface Art. 2904 is a Simplebus Comelit system, it can be directly connected without using a telephone switchboard. Option of transferring a call (with a delay if required) to an external number. Very easy to program using an analogue phone connected to the switchboard. The Simplebus system can be used to open the door from any phone. For use in large systems. For use with Simplebus 1, 2 and SBC. It should be stressed that the telephone interface is not compatible with the TOP system when main and secondary switchboards are used in the same system, when the intercom function without interface is present and active and when the alarm function is being managed on the system.

SimplebusTop | POWER SUPPLY UNITS AND ACCESSORIES

EXTERNAL UNITS

INTERNAL UNITS

POWER SUPPLY UNITS

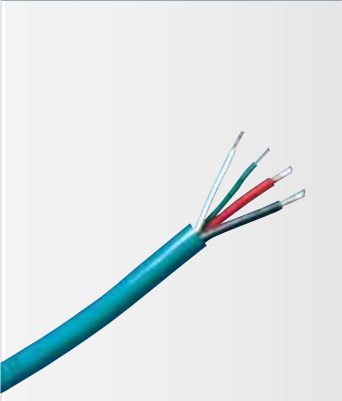
DIAGRAMS



4576/100 Comelit cable for Simplebus 1 systems (100 mt)
 Specific cable for Simplebus 1 systems consisting of two power supply conductors (1.5 mm²) and a small telephone braid for the signals. 100 mt coil.



4576/500 Comelit cable for Simplebus 1 systems (500 mt)
 Specific cable for Simplebus 1 systems consisting of two power supply conductors (1.5 mm²) and a small telephone braid for the signals. 500 mt coil.



4577/100 Comelit cable for Simplebus 2 systems (100 mt)
 Specific cable for Simplebus 2 systems (parts of the riser after the mixer), consisting of two twisted red and black conductors with 1mm² cross-section. 100 mt. coil.

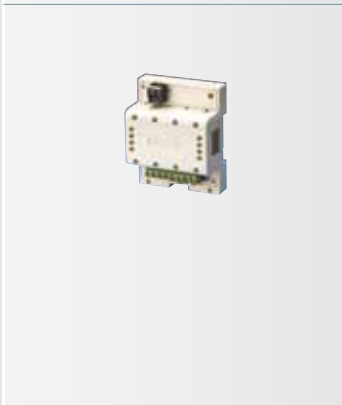
4577/500 Comelit cable for Simplebus 2 systems (500 mt)
 Specific cable for Simplebus 2 systems (parts of the riser after the mixer), consisting of two twisted red and black conductors with 1mm² cross-section. 500 mt coil.



4578/100 Comelit cable for outdoors for Simplebus 2 systems (100 mt)
 Specific cable for outdoors for Simplebus systems 2 consisting of two power supply conductors (1.5 mm²) and a small telephone braid for the signals. 100 mt coil.

4578/500 Comelit cable for outdoors for Simplebus systems 2 (500 mt)
 Specific cable for outdoors for Simplebus systems 2 consisting of two power supply conductors (1.5 mm²) and a small telephone braid for the signals. 500 mt coil.

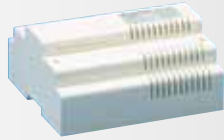
4833C Line amplifier for Simplebus Color video systems
 Amplifier for Simplebus Color video systems. Regenerates the riser signal regarding the video component. Complete with microcontroller for optimum operation management. For its use, follow the indications given in the technical documentation. Power supply: 12V AC or 20V DC. Only to be mounted on the part of the system on input into the mixers art. 4888CU (Simplebus 1 part). Dimensions: 66X85X35 mm (4 DIN modules).



4834/9 Line concentrator for Simplebus video systems
 Line concentrator for Simplebus video system. Allows distribution of the signal on 9 risers. Does not require a power supply. Only to be mounted on the part of the system on input into the mixers art. 4888CU Simplebus 1 part. Dimensions: 66X85X35 mm (4 DIN modules).

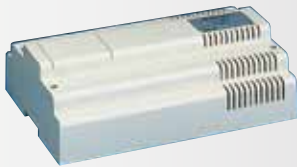
Accessories

SimplebusTop | POWER SUPPLY UNITS AND ACCESSORIES



4888C Mixer-power supply

The mixer is contained in a 8 DIN module box. Supplied from 230V mains, it has a dedicated output for power supply switching device art. 1224A. On input it receives a Simplebus 1 type signal and superimposes the monitor power supply for the riser. Up to 100 pieces of apparatus between telephones and monitors can be connected, distributed over 4 outputs. Fitted with LED which signals any short-circuits on the lines. Fitted with 4 terminals for line termination art. 1216. Dimensions: 140X140X67 mm (8 DIN modules). From the RI013 it is compatible with all SBTOP functions and products. Allows management of alarm signals and direct intercommunication between users without the aid of an interface or porter switchboard, It allows call addressing for up to 120000 users. It should be stressed that the mixer is not compatible with the TOP system when main and secondary switchboards are used in the same system, when the intercom function without interface is present and active and when the alarm function is being managed on the system.



4897 Intercom interface

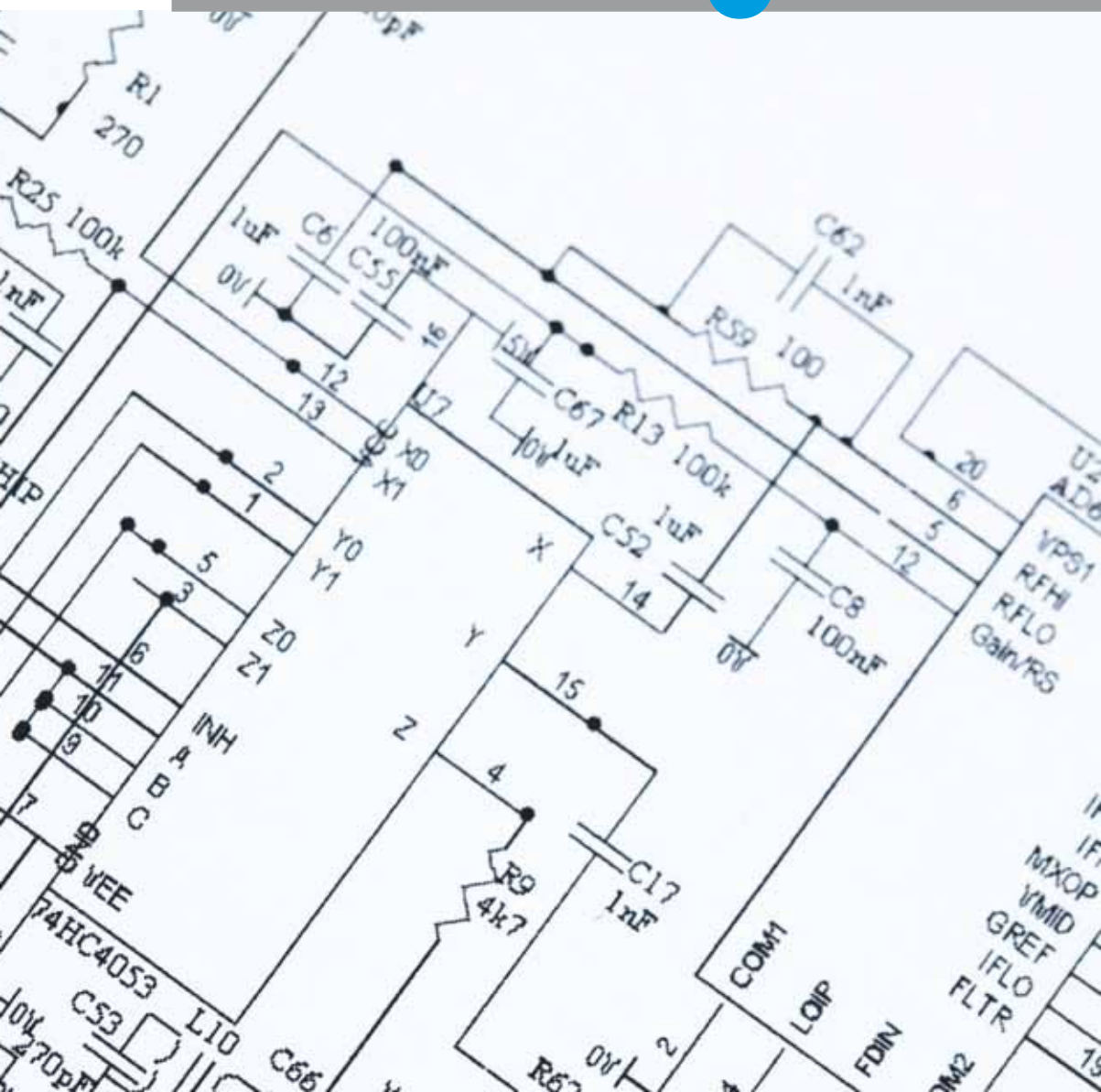
Interface for the intercom service between apparatus of the same flat or of different flats. In any case, the intercom conversation does not engage the rest of the riser. Up to 8 telephones and monitors can be connected. Complete with power supply circuit and bell management for the connected apparatus. 24V AC power supply by means of transformer art. 1195. Fitted with branch terminal art. 1214/2. Dimensions: 140X140X67 mm (8 DIN modules).



4933 Video amplifier concentrator for SBC

4933 is a concentrator with 6 outputs for star distribution of the video signal which is only directed and amplified towards the riser branch involved in the communication. 4933 regenerates and amplifies the video signal with two levels of gain independently over the 6 outputs to increase the operating distances. The riser outputs used must be programmed manually or via 1249B. Compatible with all SBTOP functions and products. 120-230 Vac power supply. Housed in a box with 8-DIN modules. Dimensions 140x140x67 mm.

Diagrams



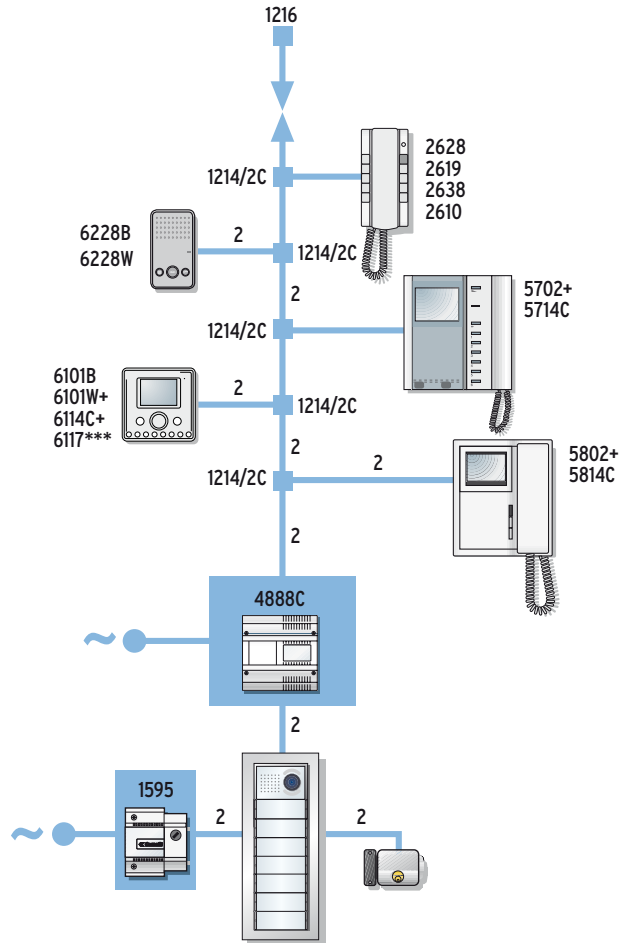
Diagrams

SimplebusTop | VIDEO-DIAGRAM

SB2V/01EC

Colour video entry phone system consisting of:

- 1 audio/video entrance with traditional entrance panel
- 1 audio/video riser



* The cornice is available in the following colours: White (3311/W), Anthracite (3311/A), Silver (3311/S).

** Should the GENIUS monitor be desired, order Art. 5802 and bracket Art. 5814C and for the monitor Bravo order the Art. 5702 and bracket Art. 5714C.

For the Easycom monitor order the Art. 6228B/W or Art. 6228B and for the Style order the Art. 2628 or Art. 2619 or Art. 2638 or Art. 2610

***Planux monitor has to be used in conjunction with: flush-mount box (art. 6117), short wall bracket (art. 6120) or long wall bracket (art. 6121). Accessory for tilting the Planux monitor (art.6122) to be used with art. 6121 or flush-mount box art. 6117.

users	3110/1	3110/2	3110/3	3110/4	3311/1*	3311/2*	3311/3*	3311/4*	33410	33411	33412	33433	33434	33436	4680c	1595	4888C	** 6114C	** 6101B 6101W
1	1				1					1					1	1	1	1	1
2	1				1					1					1	1	1	1	2
3		1				1			1		1				1	1	1	1	3
4		1				1			1			1			1	1	1	1	4
5-6		1				1			1				1		1	1	1	1	5-6
7-8		1				1				1			1		1	1	1	1	7-8
9-10			1				1		1			1	1		1	1	1	1	9-10
11-12			1				1		1			2	1		1	1	1	1	11-12
13-14			1				1			1		2	1		1	1	1	1	13-14
15-16				1				1	1			1	2		1	1	1	1	15-16
17-18				1				1	1			3	1		1	1	1	1	17-18
19-20				1				1		1		3	1		1	1	1	1	19-20
21-22			2					2	1			1	3		1	1	1	1	21-22
23-24			2					2	1			4	1		1	1	1	1	23-24
25-26			2					2		1		4	1		1	1	1	1	25-26
27-28			2					2	1			1	4		1	1	1	1	27-28
29-30			2					2	1			5	1		1	1	1	1	29-30
31-32			2					2		1		5	1		1	1	1	1	31-32
33-34				2				2	1			1	5		1	1	1	1	33-34
35-36				2				2	1			6	1		1	1	1	1	35-36
37-38				2				2		1		6	1		1	1	1	1	37-38
39-40				2				2	1			1	6		1	1	1	1	39-40
41-42				2				2	1			7	1		1	1	1	1	41-42
43-44				2				2		1		7	1		1	1	1	1	43-44
45-46			3					3	1			1	7		1	1	1	1	45-46
47-48			3					3	1			8	1		1	1	1	1	47-48
49-50			3					3		1		8	1		1	1	1	1	49-50

EXTERNAL UNITS

INTERNAL UNITS

POWER SUPPLY UNITS

DIAGRAMS

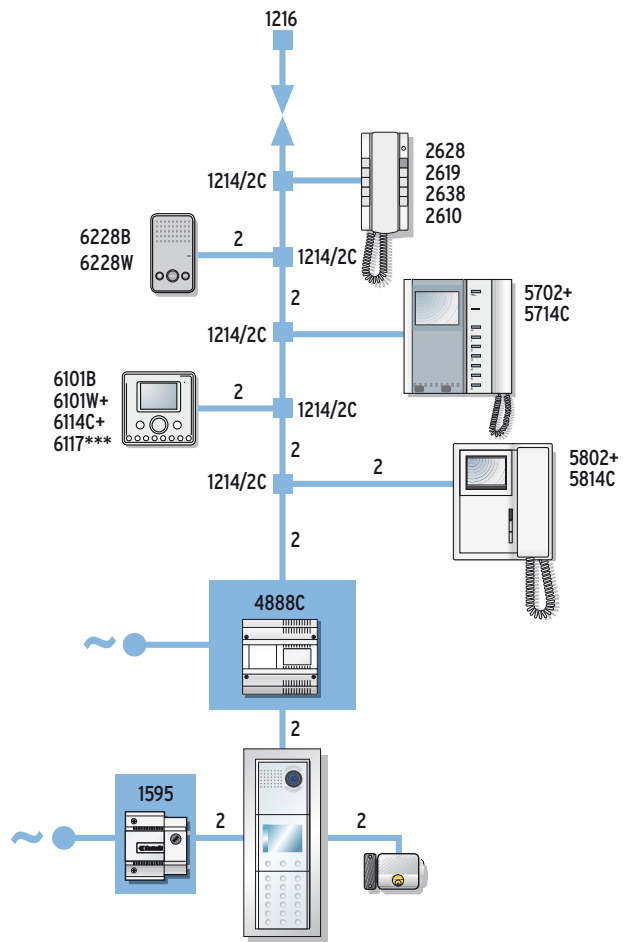
Diagrams

SimplebusTop | VIDEO-DIAGRAM

SB2V/01DEC

Colour video entry phone system consisting of:

- 1 audio/video entrance with digital module complete with electronic directory
- 1 audio/video riser



* The cornice is available in the following colours: White (331I/W), Anthracite (331I/A), Silver (331I/S).

** Should the GENIUS monitor be desired, order Art. 5802 and bracket Art. 5814C and for the monitor Bravo order the Art. 5702 and bracket Art. 5714C.

For the Easycom monitor order the Art. 6228B/W or Art. 6228B and for the Style order the Art. 2628 or Art. 2619 or Art. 2638 or Art. 2610

*** Planux monitor has to be used in conjunction with: flush-mount box (art. 6117), short wall bracket (art. 6120) or long wall bracket (art. 6121). Accessory for tilting the Planux monitor (art.6122) to be used with art. 6121 or flush-mount box art. 6117.

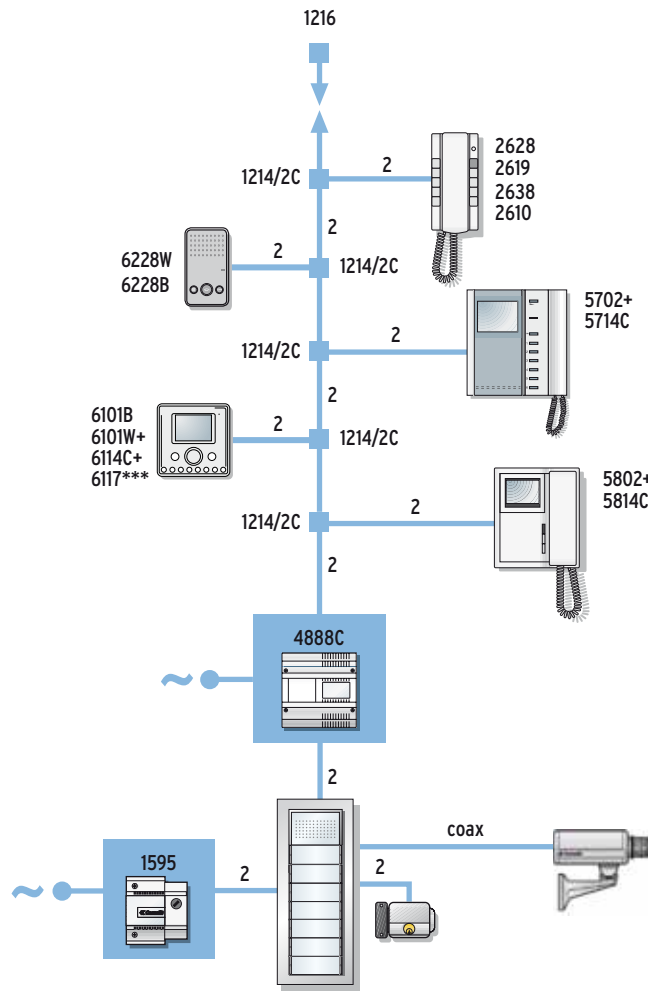
users	3110/3	331I/3*	33410	3360	4680C	1595	4888C	6114C	6101B - 6101W
1-100	1	1	1	1	1	1	1	1-100	1-100

SimplebusTop | VIDEO-DIAGRAM

SB2V/01ETC

Colour video entry phone system consisting of:

- 1 audio entrance with traditional entrance panel
- 1 remote camera
- 1 audio/video riser



* The cornice is available in the following colours: White (3311/W), Anthracite (3311/A), Silver (3311/S).

** Should the GENIUS monitor be desired, order Art. 5802 and bracket Art. 5814C and for the monitor Bravo order the Art. 5702 and bracket Art. 5714C.

For the Easycom monitor order the Art. 6228B/W or Art. 6228B and for the Style order the Art. 2628 or Art. 2619 or Art. 2638 or Art. 2610

*** Planux monitor has to be used in conjunction with: flush-mount box (art. 6117), short wall bracket (art. 6120) or long wall bracket (art. 6121). Accessory for tilting the Planux monitor (art.6122) to be used with art. 6121 or flush-mount box art. 6117.

users	3110/1	3110/2	3110/3	3110/4	3311/*	3311/2*	3311/3*	3311/4*	33400	33401	33402	33433	33434	33436	1622VC	1595	4888C	6114C	*** 6101B	** 6101W
1	1				1					1					1	1	1	1	1	1
2	1				1						1				1	1	1	1	2	2
3		1				1			1			1			1	1	1	1	3	3
4		1				1			1				1		1	1	1	1	4	4
5-6		1				1			1					1	1	1	1	1	5-6	5-6
7-8		1				1					1			1	1	1	1	1	7-8	7-8
9-10			1				1		1				1	1	1	1	1	1	9-10	9-10
11-12			1				1		1					2	1	1	1	1	11-12	11-12
13-14			1				1				1			2	1	1	1	1	13-14	13-14
15-16				1				1	1				1	2	1	1	1	1	15-16	15-16
17-18				1				1	1					3	1	1	1	1	17-18	17-18
19-20				1				1			1			3	1	1	1	1	19-20	19-20
21-22			2				2		1				1	3	1	1	1	1	21-22	21-22
23-24			2				2		1					4	1	1	1	1	23-24	23-24
25-26			2				2				1			4	1	1	1	1	25-26	25-26
27-28			2				2		1				1	4	1	1	1	1	27-28	27-28
29-30			2				2		1					5	1	1	1	1	29-30	29-30
31-32			2				2				1			5	1	1	1	1	31-32	31-32
33-34				2				2	1				1	5	1	1	1	1	33-34	33-3
35-36				2			2		1					6	1	1	1	1	35-36	35-36
37-38				2			2				1			6	1	1	1	1	37-38	37-38
39-40				2			2		1				1	6	1	1	1	1	39-40	39-40
41-42				2			2		1					7	1	1	1	1	41-42	41-42
43-44				2				2			1			7	1	1	1	1	43-44	43-44
45-46			3					3		1			1	7	1	1	1	1	45-46	45-46
47-48			3					3		1				8	1	1	1	1	47-48	47-48
49-50			3					3			1			8	1	1	1	1	49-50	49-50

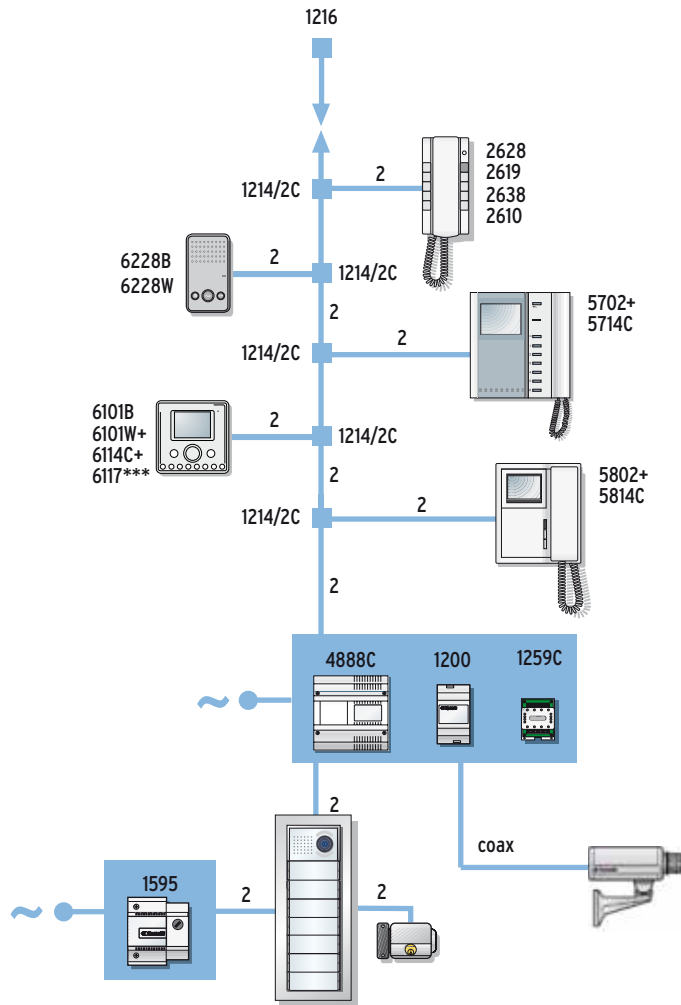
Diagrams

SimplebusTop | VIDEO-DIAGRAM

SB2V/017EC

Colour video entry phone system consisting of:

- 1 audio/video entrance with traditional entrance panel
- 1 remote camera
- 1 audio/video riser



* The cornice is available in the following colours: White (3311/W), Anthracite (3311/A), Silver (3311/S).

** Should the GENIUS monitor be desired, order Art. 5802 and bracket Art. 5814C and for the monitor Bravo order the Art. 5702 and bracket Art. 5714C. For the Easycom monitor order the Art. 6228B/W or Art. 6228B and for the Style order the Art. 2628 or Art. 2619 or Art. 2638 or Art. 2610

*** Planux monitor has to be used in conjunction with: flush-mount box (art. 6117), short wall bracket (art. 6120) or long wall bracket (art. 6121). Accessory for tilting the Planux monitor (art.6122) to be used with art. 6121 or flush-mount box art. 6117.

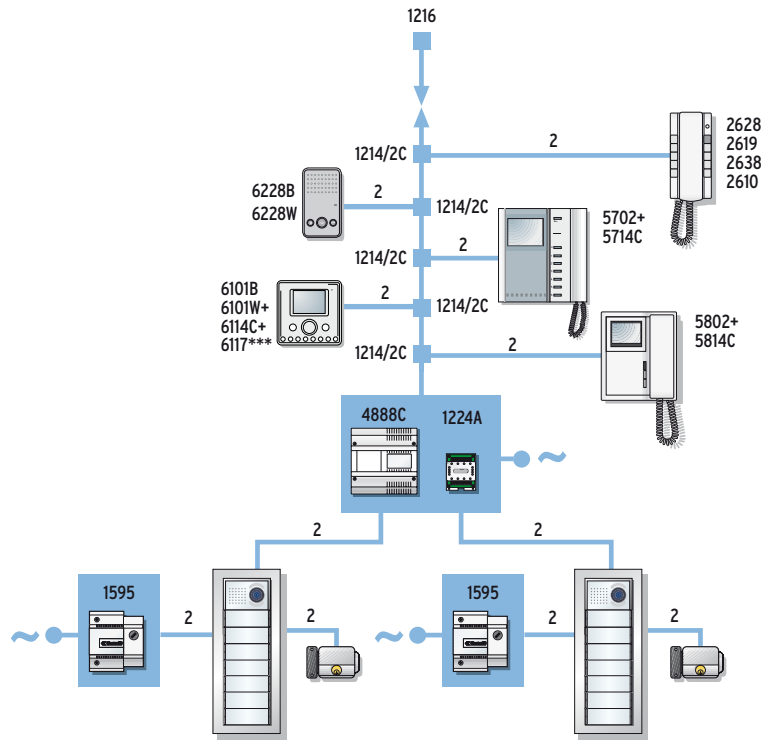
users	3110/1	3110/2	3110/3	3110/4	3311/1*	3311/2*	3311/3*	3311/4*	33410	33411	33412	33433	33434	33436	4680C	1595	1200	1259C	4888C	** 6114C	** 6101B 6101W	
1	1																				1	1
2	1																				2	2
3		1																			3	3
4		1																			4	4
5-6		1																			5-6	5-6
7-8		1																			7-8	7-8
9-10			1																		9-10	9-10
11-12			1																		11-12	11-12
13-14			1																		13-14	13-14
15-16				1																	15-16	15-16
17-18				1																	17-18	17-18
19-20				1																	19-20	19-20
21-22			2																		21-22	21-22
23-24			2																		23-24	23-24
25-26			2																		25-26	25-26
27-28			2																		27-28	27-28
29-30			2																		29-30	29-30
31-32			2																		31-32	31-32
33-34				2																	33-34	33-34
35-36				2																	35-36	35-36
37-38				2																	37-38	37-38
39-40				2																	39-40	39-40
41-42				2																	41-42	41-42
43-44				2																	43-44	43-44
45-46			3																		45-46	45-46
47-48			3																		47-48	47-48
49-50			3																		49-50	49-50

SimplebusTop | VIDEO-DIAGRAM

SB2V/038CNP

Colour video entry phone system consisting of:

- 2 audio/video entrances with traditional entrance panel
- 1 audio/video riser



* The cornice is available in the following colours: White (3311/W), Anthracite (3311/A), Silver (3311/S).

** Should the GENIUS monitor be desired, order Art. 5802 and bracket Art. 5814C and for the monitor Bravo order the Art. 5702 and bracket Art. 5714C. For the Easycom monitor order the Art. 6228B/W or Art. 6228B and for the Style order the Art. 2628 or Art. 2619 or Art. 2638 or Art. 2610

*** Planux monitor has to be used in conjunction with: flush-mount box (art. 6117), short wall bracket (art. 6120) or long wall bracket (art. 6121). Accessory for tilting the Planux monitor (art.6122) to be used with art. 6121 or flush-mount box art. 6117.

users	3110/1	3110/2	3110/3	3110/4	3311/1*	3311/2*	3311/3*	3311/4*	33410	33411	33412	33433	33434	33436	4680C	1224A	1595	4888C	** 6114C	**6101B 6101W
1	2				2					2					2	1	2	1	1	1
2	2				2						2				2	1	2	1	2	2
3		2				2			2			2			2	1	2	1	3	3
4		2				2			2				2		2	1	2	1	4	4
5-6		2				2			2					2	2	1	2	1	5-6	5-6
7-8		2				2					2			2	2	1	2	1	7-8	7-8
9-10			2				2		2				2	2	2	1	2	1	9-10	9-10
11-12			2				2		2				4	2	2	1	2	1	11-12	11-12
13-14			2				2				2		4	2	2	1	2	1	13-14	13-14
15-16				2				2	2			2	4	2	2	1	2	1	15-16	15-16
17-18				2				2	2				6	2	2	1	2	1	17-18	17-18
19-20				2				2			2		6	2	2	1	2	1	19-20	19-20
21-22			4					4	2				6	2	2	1	2	1	21-22	21-22
23-24			4					4	2				8	2	2	1	2	1	23-24	23-24
25-26			4					4					8	2	2	1	2	1	25-26	25-26
27-28			4					4	2			2	8	2	2	1	2	1	27-28	27-28
29-30			4					4	2				10	2	2	1	2	1	29-30	29-30
31-32			4					4			2		10	2	2	1	2	1	31-32	31-32
33-34				4				4	2				10	2	2	1	2	1	33-34	33-34
35-36				4				4	2				12	2	2	1	2	1	35-36	35-36
37-38				4				4			2		12	2	2	1	2	1	37-38	37-38
39-40				4				4	2				12	2	2	1	2	1	39-40	39-40
41-42				4				4	2				14	2	2	1	2	1	41-42	41-42
43-44				4				4			2		14	2	2	1	2	1	43-44	43-44
45-46			6					6	2				14	2	2	1	2	1	45-46	45-46
47-48			6					6	2				16	2	2	1	2	1	47-48	47-48
49-50			6					6			2		16	2	2	1	2	1	49-50	49-50

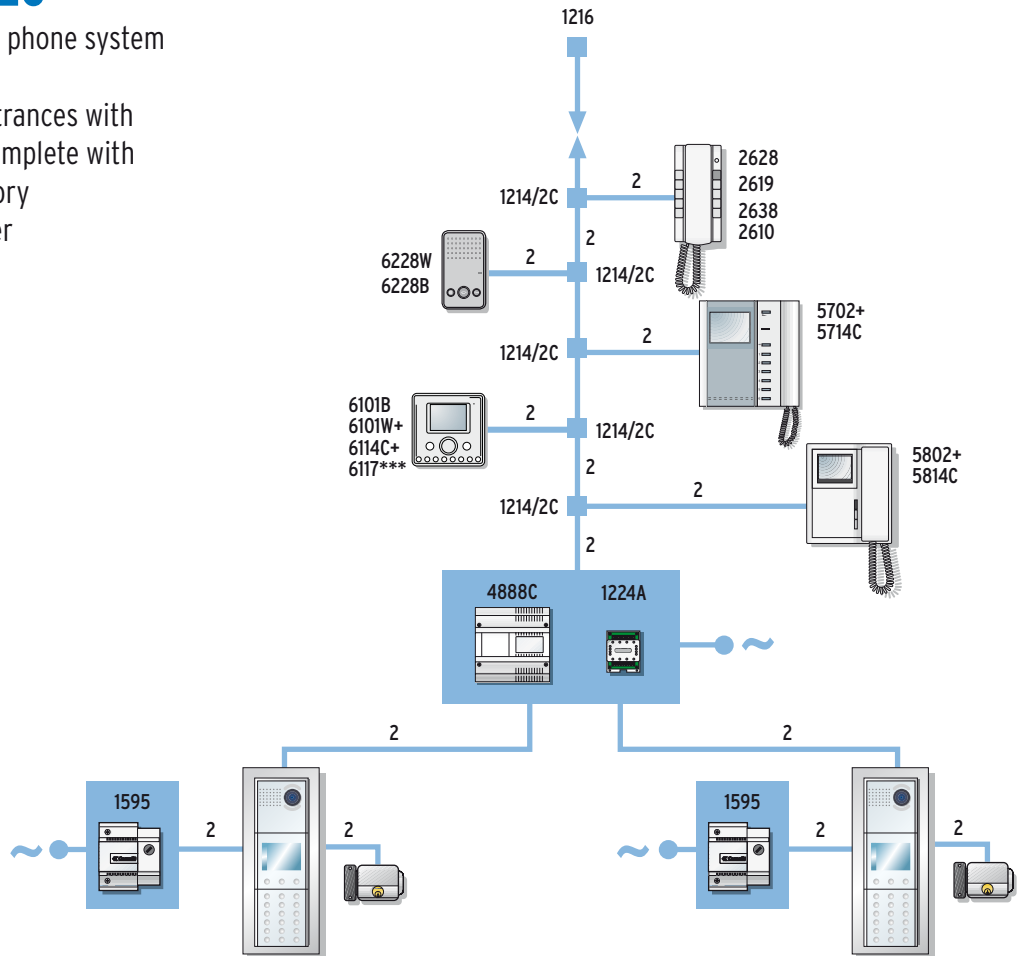
Diagrams

SimplebusTop | VIDEO-DIAGRAM

SB2V/04DEC

Colour video entry phone system consisting of:

- 2 audio/video entrances with digital module complete with electronic directory
- 1 audio/video riser



* The cornice is available in the following colours: White (3311/W), Anthracite (3311/A), Silver (3311/S).

** Should the GENIUS monitor be desired, order Art. 5802 and bracket Art. 5814C and for the monitor Bravo order the Art. 5702 and bracket Art. 5714C.

For the Easycom monitor order the Art. 6228B/W or Art. 6228B and for the Style order the Art. 2628 or Art. 2619 or Art. 2638 or Art. 2610

***Planux monitor has to be used in conjunction with: flush-mount box (art. 6117), short wall bracket (art. 6120) or long wall bracket (art. 6121). Accessory for tilting the Planux monitor (art.6122) to be used with art. 6121 or flush-mount box art. 6117.

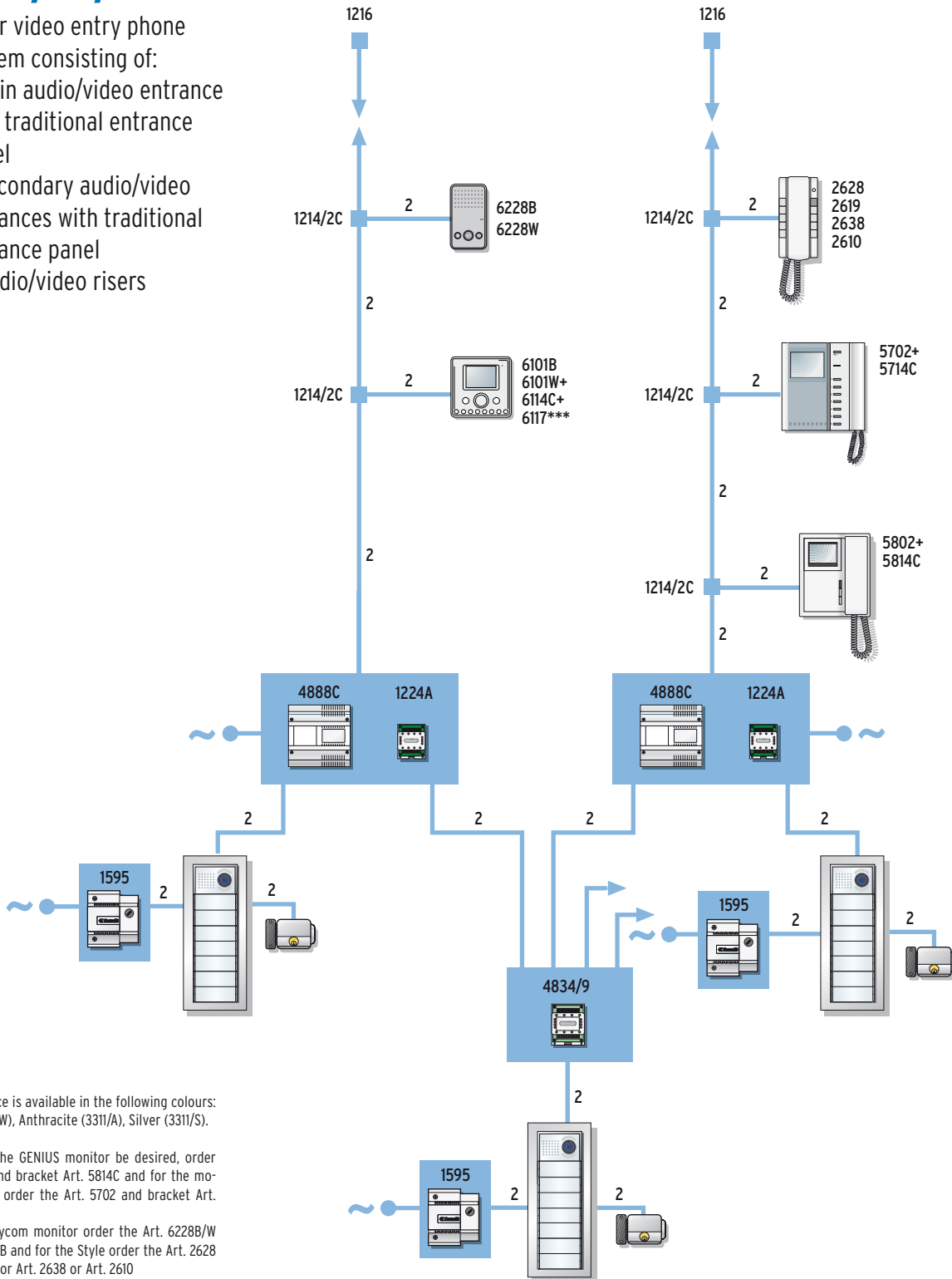
users	3110/3	3311/3*	33410	3360	4680C	1595	4888C	1224A	6114C	6101B - 6101W	
1-100	2	2	2	2	2	2	1	1	1-100	1-100	

SimplebusTop | VIDEO-DIAGRAM

SB2V/EN/112EC

Colour video entry phone system consisting of:

- 1 main audio/video entrance with traditional entrance panel
- n secondary audio/video entrances with traditional entrance panel
- n audio/video risers



* The cornice is available in the following colours: White (3311/W), Anthracite (3311/A), Silver (3311/S).

** Should the GENIUS monitor be desired, order Art. 5802 and bracket Art. 5814C and for the monitor Bravo order the Art. 5702 and bracket Art. 5714C.

For the Easycom monitor order the Art. 6228B/W or Art. 6228B and for the Style order the Art. 2628 or Art. 2619 or Art. 2638 or Art. 2610

***Planux monitor has to be used in conjunction with: flush-mount box (art. 6117), short wall bracket (art. 6120) or long wall bracket (art. 6121). Accessory for tilting the Planux monitor (art.6122) to be used with art. 6121 or flush-mount box art. 6117.

EXTERNAL UNITS

INTERNAL UNITS

POWER SUPPLY UNITS

DIAGRAMS

Diagrams

SimplebusTop | VIDEO-DIAGRAM

SB2V/EN/112EC

Main entrance

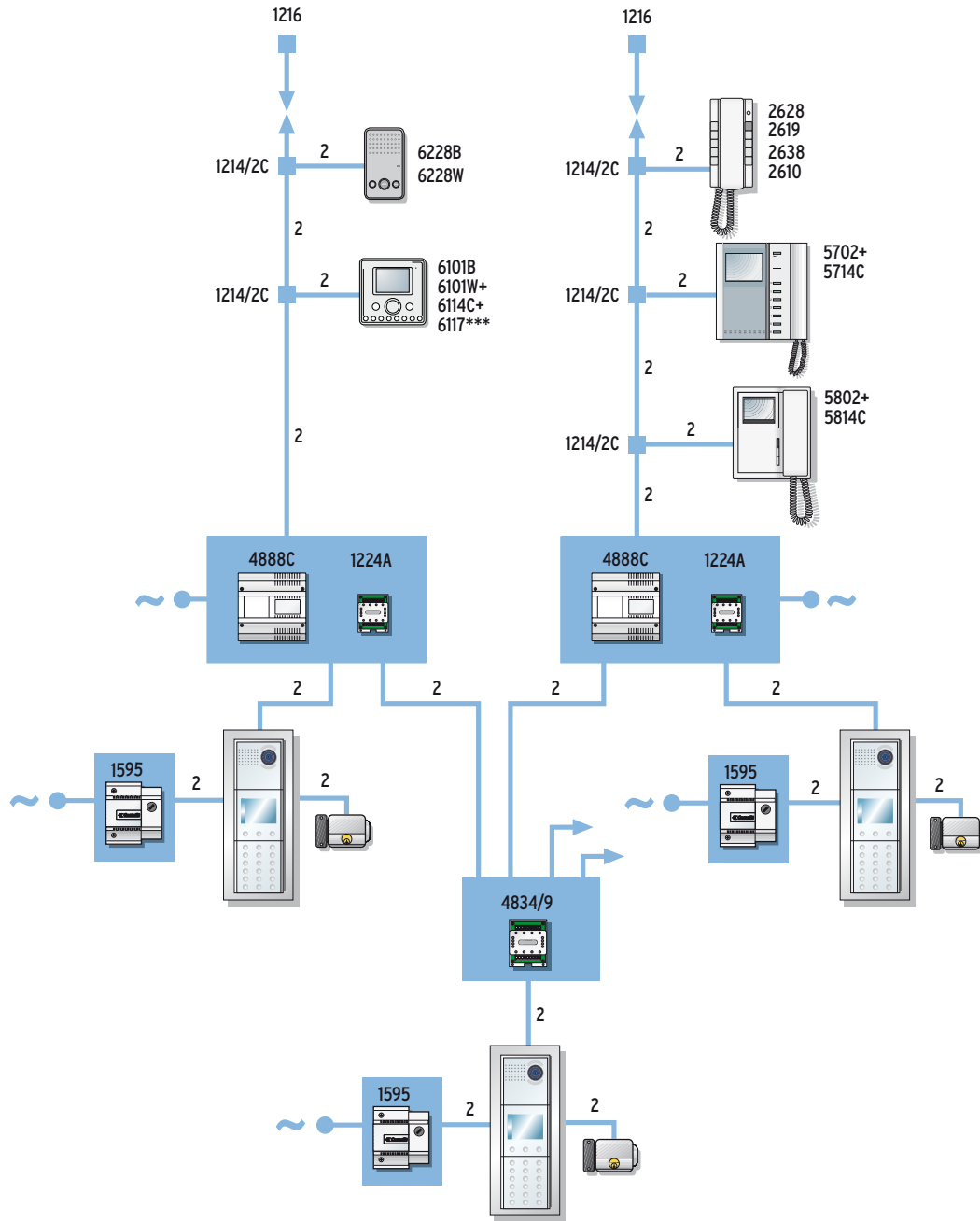
users	3110/1	3110/2	3110/3	3110/4	3311/1*	3311/2*	3311/3*	3311/4*	33410	33411	33412	33433	33434	33436	4680C	1595	4934/9
1	1				1					1					1	1	1
2	1				1						1				1	1	1
3		1				1			1			1			1	1	1
4		1				1			1				1		1	1	1
5-6		1				1			1					1	1	1	1
7-8		1				1					1			1	1	1	1
9-10			1				1		1				1	1	1	1	1
11-12			1				1		1					2	1	1	1
13-14			1				1				1			2	1	1	1
15-16				1				1	1				1	2	1	1	1
17-18				1				1	1					3	1	1	1
19-20				1				1			1			3	1	1	1
21-22			2				2		1				1	3	1	1	1
23-24			2				2		1					4	1	1	1
25-26			2				2				1			4	1	1	1
27-28			2				2		1				1	4	1	1	1
29-30			2				2		1					5	1	1	1
31-32			2				2				1			5	1	1	1
33-34				2				2	1					5	1	1	1
35-36				2				2	1				1	6	1	1	1
37-38				2				2			1			6	1	1	1
39-40				2				2	1				1	6	1	1	1
41-42				2				2	1					7	1	1	1
43-44				2				2			1			7	1	1	1
45-46			3						1				1	7	1	1	1
47-48			3						1					8	1	1	1
49-50			3					3				1		8	1	1	1

Secondary entrance

users	3110/1	3110/2	3110/3	3110/4	3311/1*	3311/2*	3311/3*	3311/4*	33410	33411	33412	33433	33434	33436	4680C	1595	4888C	1224A	** 6114C	** 6101B	** 6101W
1	1				1					1					1	1	1	1	1	1	1
2	1				1						1				1	1	1	1	1	2	2
3		1				1			1			1			1	1	1	1	1	3	3
4		1				1			1				1		1	1	1	1	1	4	4
5-6		1				1			1					1	1	1	1	1	1	5-6	5-6
7-8		1				1					1			1	1	1	1	1	1	7-8	7-8
9-10			1				1		1			1		1	1	1	1	1	1	9-10	9-10
11-12			1				1		1					2	1	1	1	1	1	11-12	11-12
13-14			1				1				1			2	1	1	1	1	1	13-14	13-14
15-16				1				1	1				1	2	1	1	1	1	1	15-16	15-16
17-18				1				1	1					3	1	1	1	1	1	17-18	17-18
19-20				1							1			3	1	1	1	1	1	19-20	19-20
21-22			2				2		1				1	3	1	1	1	1	1	21-22	21-22
23-24			2				2		1					4	1	1	1	1	1	23-24	23-24
25-26			2				2				1			4	1	1	1	1	1	25-26	25-26
27-28			2				2		1				1	4	1	1	1	1	1	27-28	27-28
29-30			2				2		1					5	1	1	1	1	1	29-30	29-30
31-32			2				2				1			5	1	1	1	1	1	31-32	31-32
33-34				2				2	1				1	5	1	1	1	1	1	33-34	33-34
35-36				2				2	1					6	1	1	1	1	1	35-36	35-36
37-38				2				2			1			6	1	1	1	1	1	37-38	37-38
39-40				2				2	1				1	6	1	1	1	1	1	39-40	39-40
41-42				2				2	1					7	1	1	1	1	1	41-42	41-42
43-44				2				2			1			7	1	1	1	1	1	43-44	43-44
45-46			3						1				1	7	1	1	1	1	1	45-46	45-46
47-48			3						1					8	1	1	1	1	1	47-48	47-48
49-50			3					3			1			8	1	1	1	1	1	49-50	49-50

SimplebusTop | VIDEO-DIAGRAM

SB2V/EN/107DEC



EXTERNAL UNITS

INTERNAL UNITS

POWER SUPPLY UNITS

DIAGRAMS

Diagrams

SimplebusTop | VIDEO-DIAGRAM

SB2V/EN/107DEC

Colour video entry phone system consisting of:

- 1 main audio/video entrance with digital module complete with electronic directory
- n secondary audio/video entrances with digital module complete with electronic directory
- n audio/video risers

* The cornice is available in the following colours: White (3311/W), Anthracite (3311/A), Silver (3311/S).

** Should the GENIUS monitor be desired, order Art. 5802 and bracket Art. 5814C and for the monitor Bravo order the Art. 5702 and bracket Art. 5714C.

For the Easycom monitor order the Art. 6228B/W or Art. 6228B and for the Style order the Art. 2628 or Art. 2619 or Art. 2638 or Art. 2610

***Planux monitor has to be used in conjunction with: flush-mount box (art. 6117), short wall bracket (art. 6120) or long wall bracket (art. 6121). Accessory for tilting the Planux monitor (art.6122) to be used with art. 6121 or flush-mount box art. 6117.

Main entrance

users	3110/3	3311/3*	33410	3360	4680C	1595	4934/9
1-100	1	1	1	1	1	1	1

Secondary entrance

users	3110/3	3311/3*	33410	3360	4680C	1595	4888C	1224A	** 6114C	** 6101B 6101W
1-100	1	1	1	1	1	1	1	1	1-100	1-100

SimplebusTop | VIDEO-DIAGRAM

SB2V/07DEC

Colour video entry phone system consisting of:

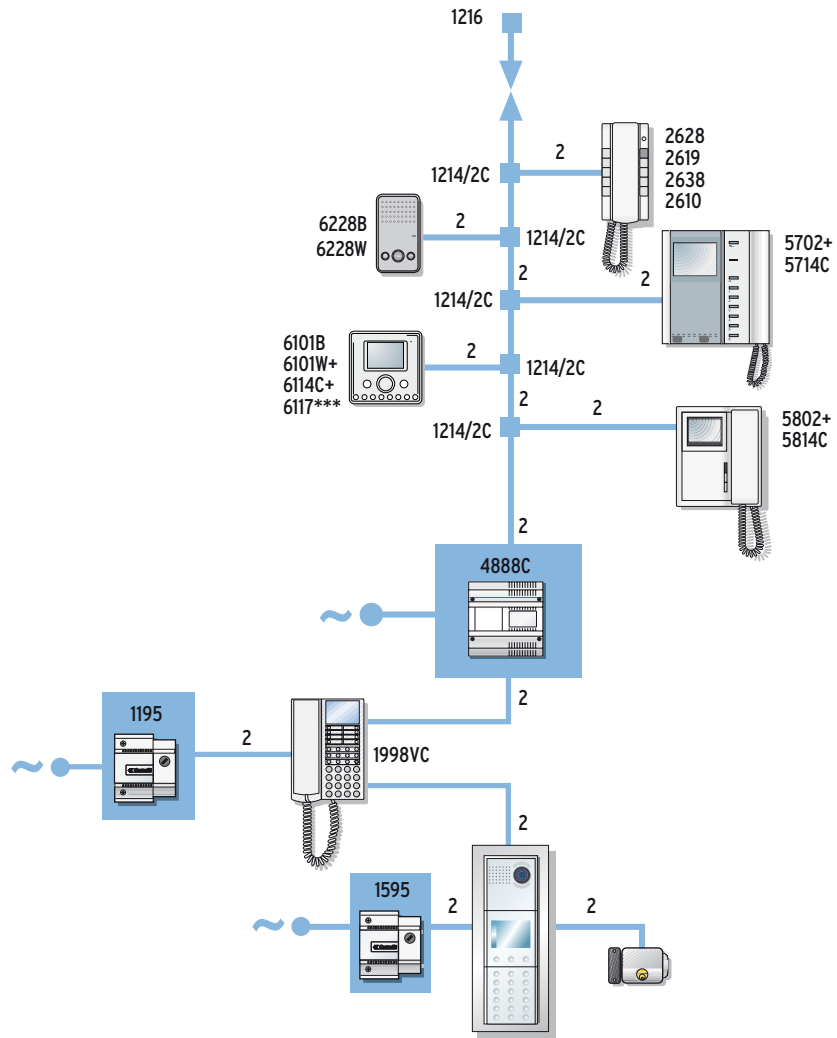
- 1 audio/video entrance with digital module complete with electronic directory
- 1 video porter switchboard
- 1 audio/video riser

* The cornice is available in the following colours: White (331/W), Anthracite (331/A), Silver (331/S).

** Should the GENIUS monitor be desired, order Art. 5802 and bracket Art. 5814C and for the monitor Bravo order the Art. 5702 and bracket Art. 5714C.

For the Easycom monitor order the Art. 6228B/W or Art. 6228B and for the Style order the Art. 2628 or Art. 2619 or Art. 2638 or Art. 2610

***Planux monitor has to be used in conjunction with: flush-mount box (art. 6117), short wall bracket (art. 6120) or long wall bracket (art. 6121). Accessory for tilting the Planux monitor (art.6122) to be used with art. 6121 or flush-mount box art. 6117.



EXTERNAL UNITS

INTERNAL UNITS

POWER SUPPLY UNITS

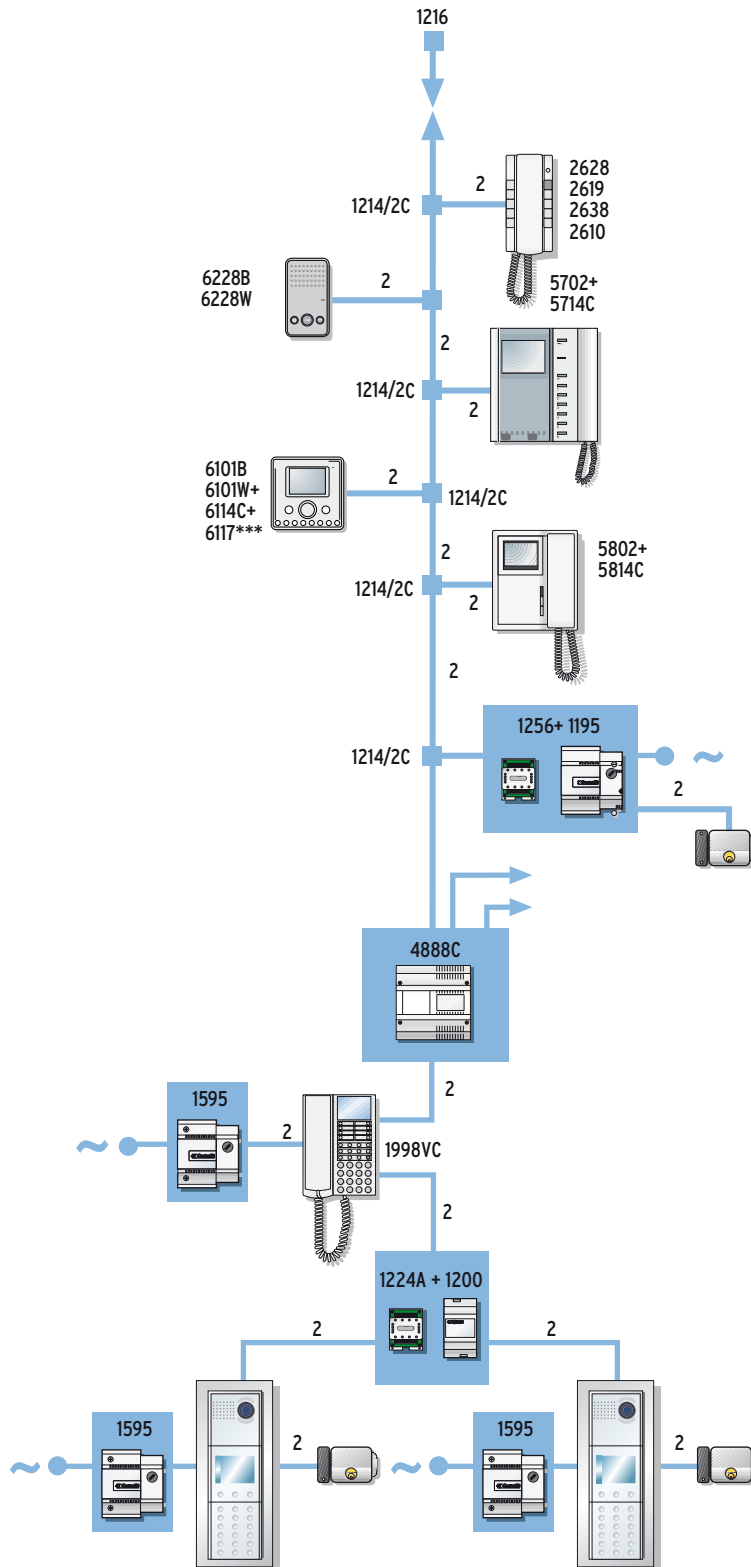
DIAGRAMS

users	3110/3	3311/3G	33410	3360	4680C	1595	1195	1998VC	4888C	*** 6114C	** 6101B 6101W
1-100	1	1	1	1	1	1	1	1	1	1-100	1-100

Diagrams

SimplebusTop | VIDEO-DIAGRAM

SB2V/EN/159DEC



SimplebusTop | VIDEO-DIAGRAM

SB2V/EN/159DEC

Colour video entry phone system consisting of:

- 1 audio/video entrance with digital module complete with electronic directory
- 1 video porter switchboard
- n audio/video risers without additional audio speaker units with door lock

* The cornice is available in the following colours: White (3311/W), Anthracite (3311/A), Silver (3311/S).

** Should the GENIUS monitor be desired, order Art. 5802 and bracket Art. 5814C and for the monitor Bravo order the Art. 5702 and bracket Art. 5714C.

For the Easycom monitor order the Art. 6228B/W or Art. 6228B and for the Style order the Art. 2628 or Art. 2619 or Art. 2638 or Art. 2610

***Planux monitor has to be used in conjunction with: flush-mount box (art. 6117), short wall bracket (art. 6120) or long wall bracket (art. 6121). Accessory for tilting the Planux monitor (art.6122) to be used with art. 6121 or flush-mount box art. 6117.

Main entrance

users	3110/3	3311/3*	33410	3360	4680C	1595	4888C	1224A	1200	1195	1998VC
1-100	2	2	2	2	2	2	1	1	1	1	1

Secondary entrance

users	1256	1195	6114C	6101B - 6101W
1-101-100	1	1	1-100	1-100

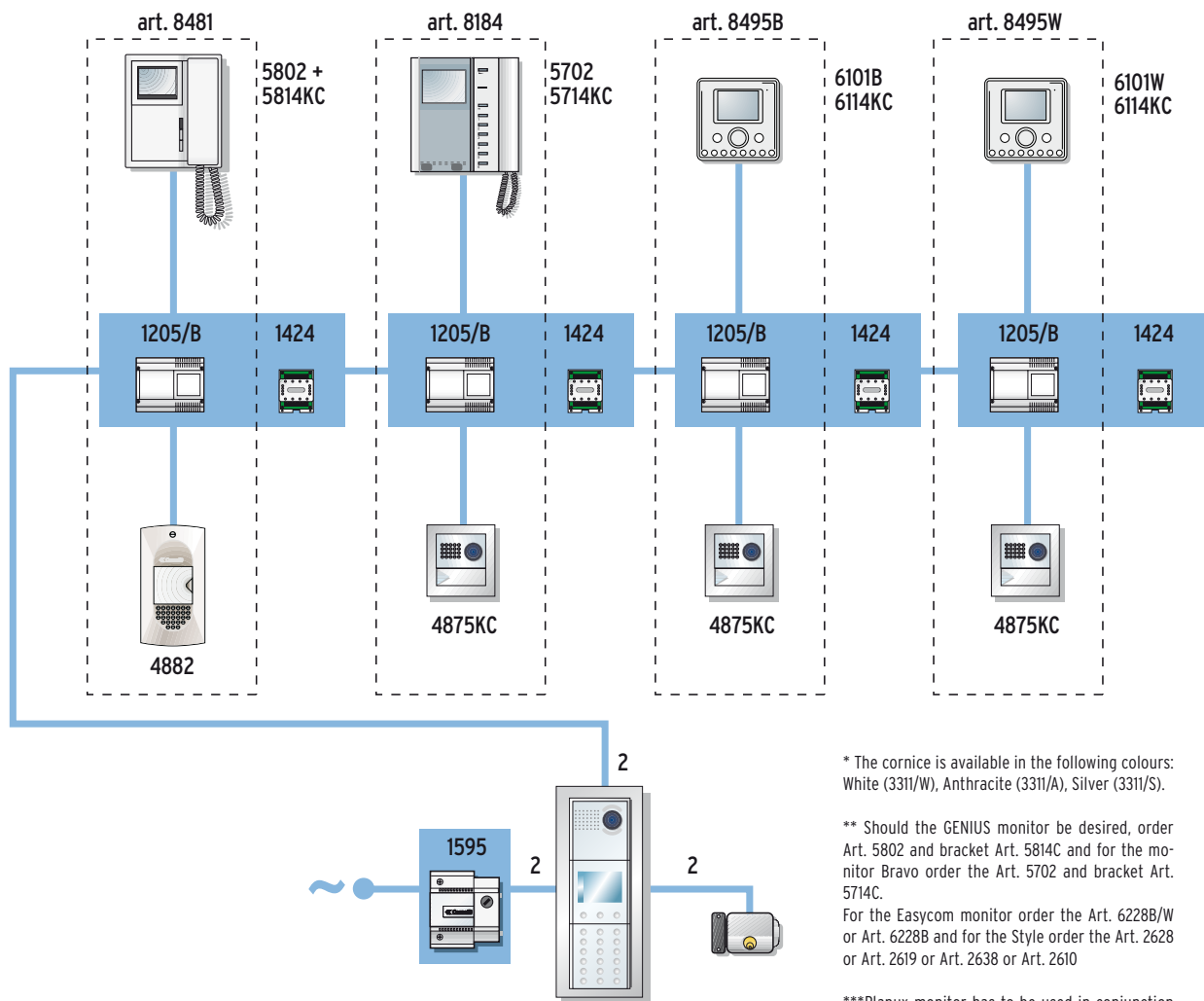
Diagrams

SimplebusTop | VIDEO-DIAGRAM

SBTOP/011KITICOM

Colour video entry phone system consisting of:

- 1 main audio/video entrance with digital module complete with electronic directory
- n audio/video kits



Main entrance

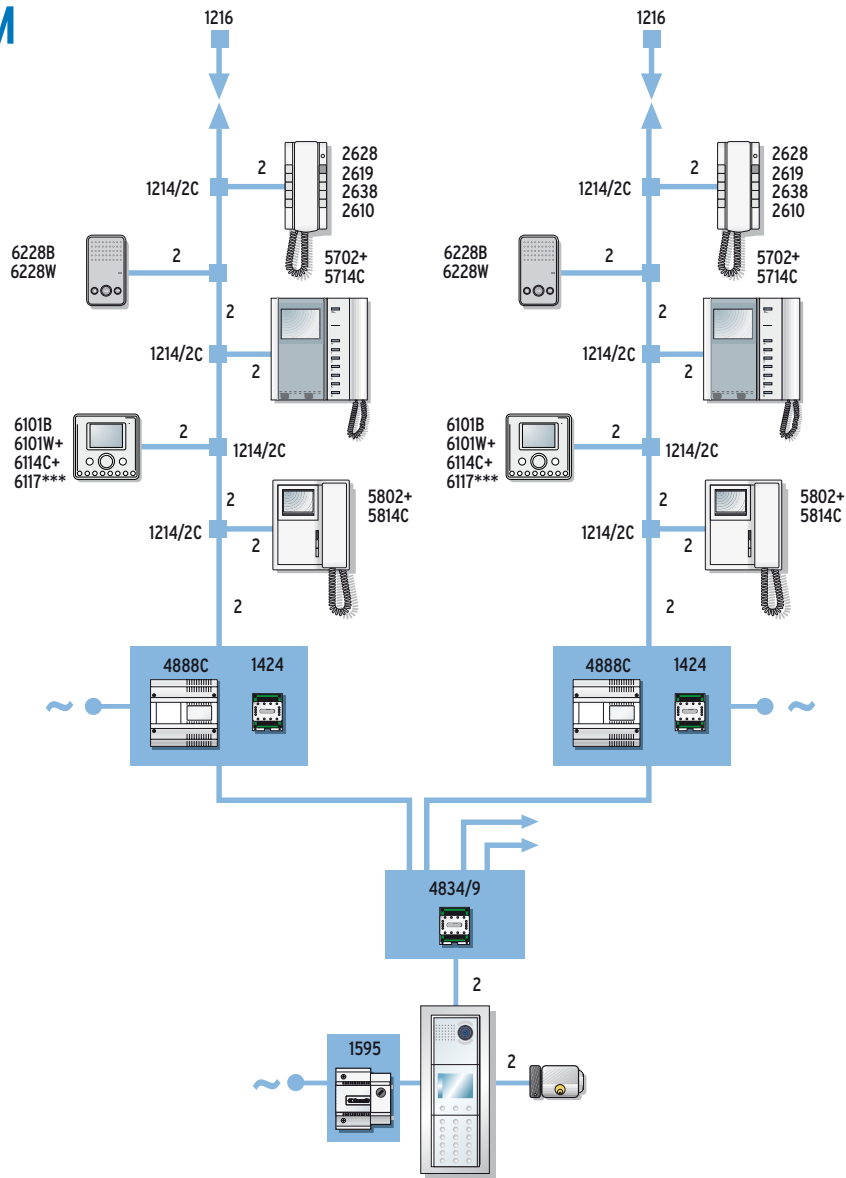
users	3110/3	3311/3*	33410	3360	4680C	1595
1 - 100	1	1	1	1	1	1

SimplebusTop | VIDEO-DIAGRAM

SBTOP/010PXC0M

- Colour video entry phone system consisting of:
- 1 main audio/video entrance with digital module complete with electronic directory
 - n audio/video risers without additional audio speaker units

More than 240 users
Up to 100 devices for each riser



EXTERNAL UNITS

INTERNAL UNITS

POWER SUPPLY UNITS

DIAGRAMS

Main entrance

users	3110/3	3311/3*	33410	3360	4680C	1595	4834/9
1-100	1	1	1	1	1	1	1

Secondary entrance

users	4888C	1424	6114C	6101B - 6101W
1-101-100	1	1	1-100	1-100

* The cornice is available in the following colours: White (3311/W), Anthracite (3311/A), Silver (3311/S).

** Should the GENIUS monitor be desired, order Art. 5802 and bracket Art. 5814C and for the monitor Bravo order the Art. 5702 and bracket Art. 5714C. For the Easycom monitor order the Art. 6228B/W or Art. 6228B and for the Style order the Art. 2628 or Art. 2619 or Art. 2638 or Art. 2610

***Planux monitor has to be used in conjunction with: flush-mount box (art. 6117), short wall bracket (art. 6120) or long wall bracket (art. 6121). Accessory for tilting the Planux monitor (art.6122) to be used with art. 6121 or flush-mount box art. 6117.

Diagrams

SimplebusTop | VIDEO-DIAGRAM

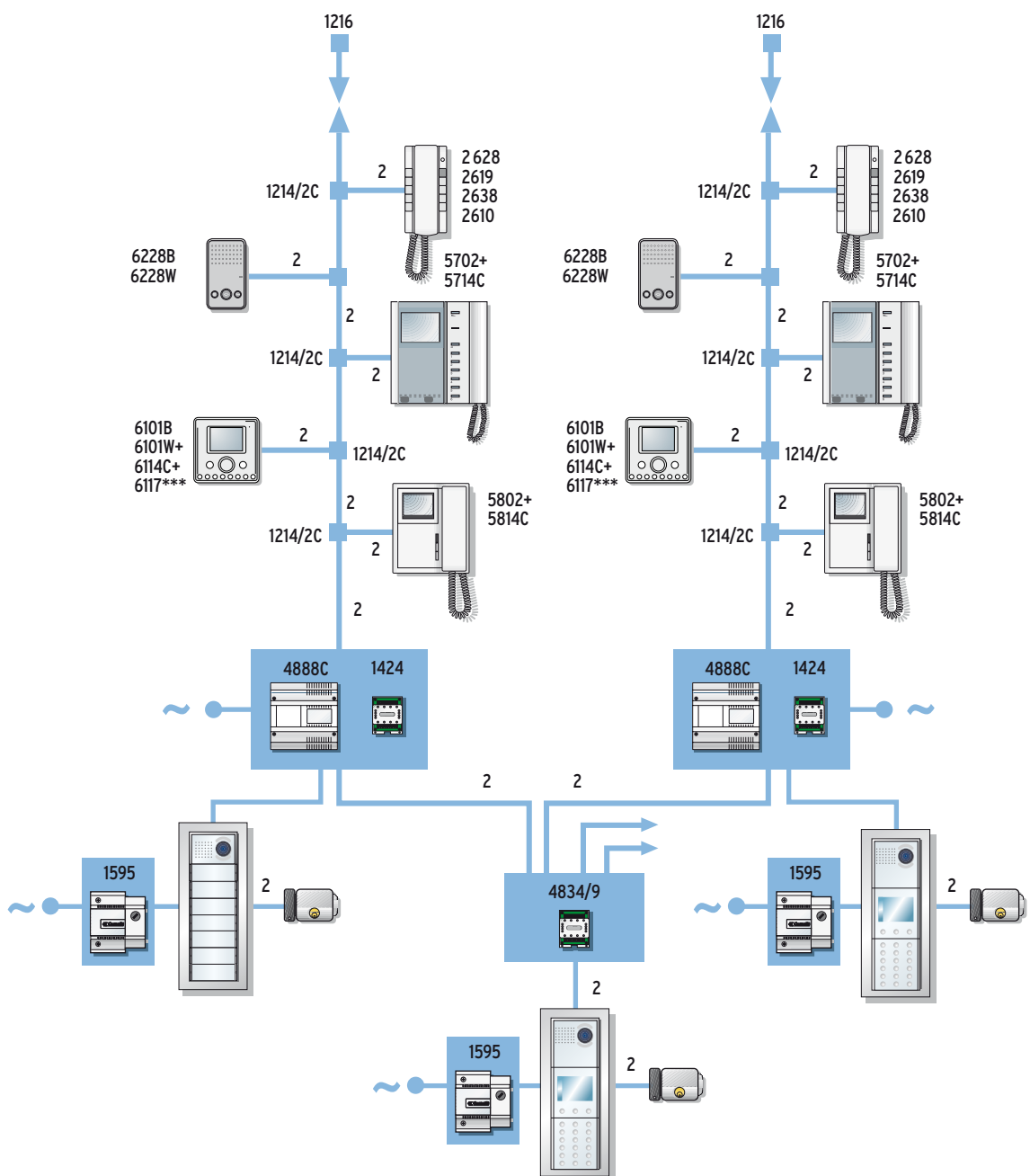
SBTOP/016PXICOM

Colour video entry phone system consisting of:

- 1 main audio/video entrance with digital module complete with electronic directory
- n secondary audio/video entrances with digital module complete with electronic directory
- n secondary audio/video entrances with traditional entrance panel
- n audio/video risers

More than 240 users

Up to 100 devices for each riser



SimplebusTop | VIDEO-DIAGRAM

SBTOP/016PXICOM

* The cornice is available in the following colours: White (3311/W), Anthracite (3311/A), Silver (3311/S).

** Should the GENIUS monitor be desired, order Art. 5802 and bracket Art. 5814C and for the monitor Bravo order the Art. 5702 and bracket Art. 5714C.

For the Easycom monitor order the Art. 6228B/W or Art. 6228B and for the Style order the Art. 2628 or Art. 2619 or Art. 2638 or Art. 2610

***Planux monitor has to be used in conjunction with: flush-mount box (art. 6117), short wall bracket (art. 6120) or long wall bracket (art. 6121). Accessory for tilting the Planux monitor (art.6122) to be used with art. 6121 or flush-mount box art. 6117.

Main entrance

users	3110/3	3311/3*	33410	3360	4680C	1595	4834/9
1-100	1	1	1	1	1	1	1

Secondary entrance

users	3110/3	3311/3*	33410	3360	4680C	1595	4888C	1424	6114C	6101B-6101W
1-100	1	1	1	1	1	1	1	1	1-100	1-100

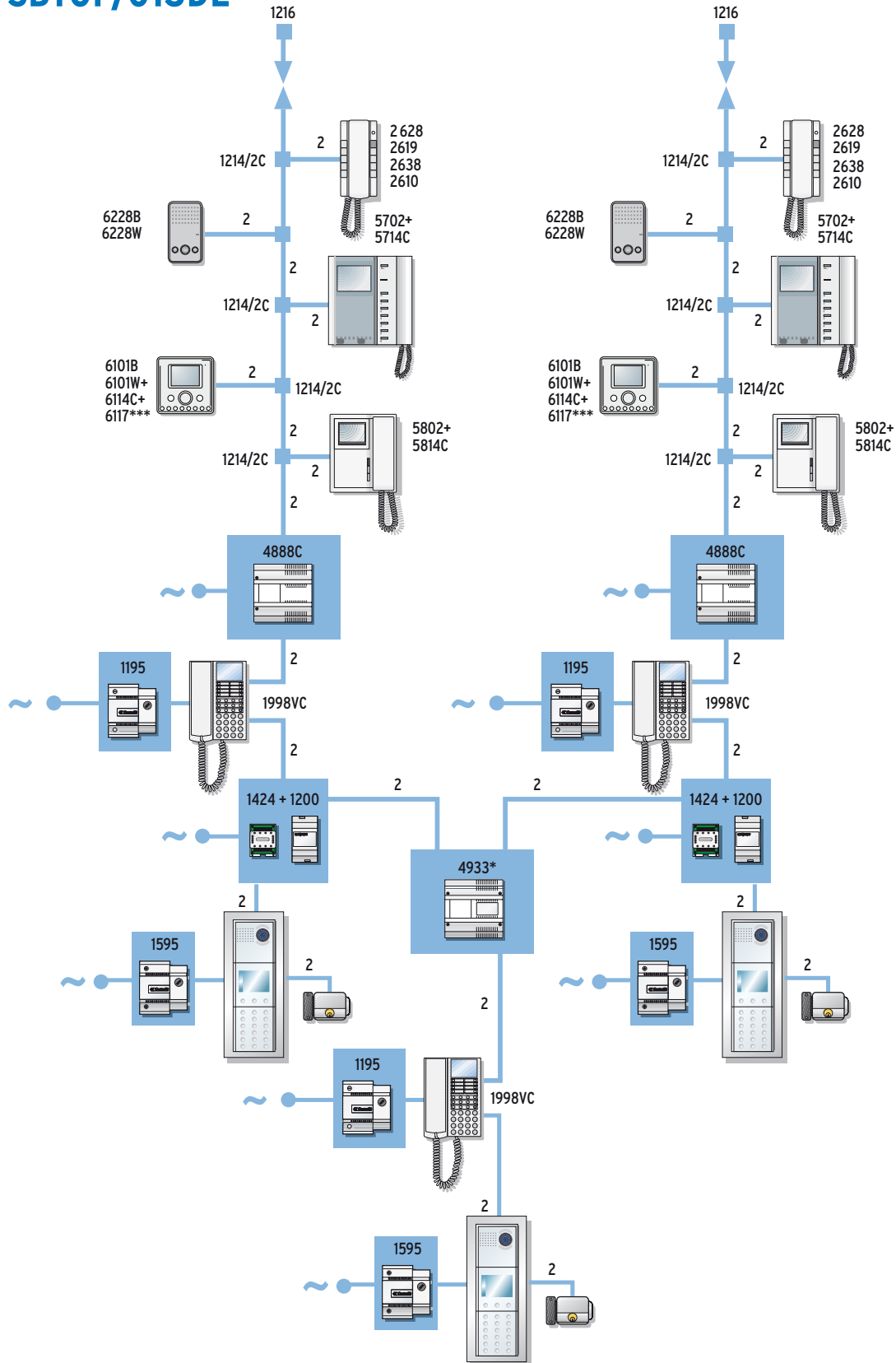
Secondary entrance

users	3110/1	3110/2	3110/3	3110/4	3311/1*	3311/2*	3311/3*	3311/4*	33410	33411	33412	33433	33434	33436	3336	4680C	1595	4888C	1424	** 6114C	** 6101B	6101W
1	1				1					1						1	1	1	1	1	1	1
2	1				1						1					1	1	1	1	1	2	2
3		1				1			1			1				1	1	1	1	3	3	
4		1				1			1				1			1	1	1	1	4	4	
5-6		1				1			1					1		1	1	1	1	5-6	5-6	
7-8		1				1					1					1	1	1	1	7-8	7-8	
9-10			1					1	1							1	1	1	1	9-10	9-10	
11-12			1					1	1							2	1	1	1	11-12	11-12	
13-14			1					1			1					2	1	1	1	13-14	13-14	
15-16				1				1	1							2	1	1	1	15-16	15-16	
17-18				1				1	1							3	1	1	1	17-18	17-18	
19-20				1				1			1					3	1	1	1	19-20	19-20	
21-22			2						1							3	1	1	1	21-22	21-22	
23-24			2						1							4	1	1	1	23-24	23-24	
25-26			2								1					4	1	1	1	25-26	25-26	
27-28			2						1							4	1	1	1	27-28	27-28	
29-30			2						1							5	1	1	1	29-30	29-30	
31-32			2								1					5	1	1	1	31-32	31-32	
33-34				2					2	1						5	1	1	1	33-34	33-34	
35-36				2					2	1						6	1	1	1	35-36	35-36	
37-38				2					2		1					6	1	1	1	37-38	37-38	
39-40				2					2	1						6	1	1	1	39-40	39-40	
41-42				2					2	1						7	1	1	1	41-42	41-42	
43-44				2					2		1					7	1	1	1	43-44	43-44	
45-46			3						3	1						7	1	1	1	45-46	45-46	
47-48			3						3	1						8	1	1	1	47-48	47-48	
49-50			3						3		1					8	1	1	1	49-50	49-50	

Diagrams

SimplebusTop | VIDEO-DIAGRAM

SBTOP/013DE



SimplebusTop | VIDEO-DIAGRAM

SBTOP/013DE

- Colour video entry phone system consisting of:
- 1 main audio/video entrance with digital module complete with electronic directory with main video porter switchboard
 - n secondary audio/video entrances with digital module complete with electronic directory
 - n audio/video risers with secondary video porter switchboard

* The cornice is available in the following colours: White (3311/W), Anthracite (3311/A), Silver (3311/S).

** Should the GENIUS monitor be desired, order Art. 5802 and bracket Art. 5814C and for the monitor Bravo order the Art. 5702 and bracket Art. 5714C.

For the Easycom monitor order the Art. 6228B/W or Art. 6228B and for the Style order the Art. 2628 or Art. 2619 or Art. 2638 or Art. 2610

***Planux monitor has to be used in conjunction with: flush-mount box (art. 6117), short wall bracket (art. 6120) or long wall bracket (art. 6121). Accessory for tilting the Planux monitor (art.6122) to be used with art. 6121 or flush-mount box art. 6117.

Main entrance

users	3110/3	3311/3*	33410	3360	4680C	1595	1998VC	1195	4933
1 - 120.000	1	1	1	1	1	1	1	1	1

In addition to video inputs

users	3110/3	3311/3*	33410	3360	4680C	1595	1998VC	1195	4888C	1200	1424	** 6114C	** 6010B	** 6101W
1 - 100	1	1	1	1	1	1	1	1	1	1	1	1 - 100	1 - 100	

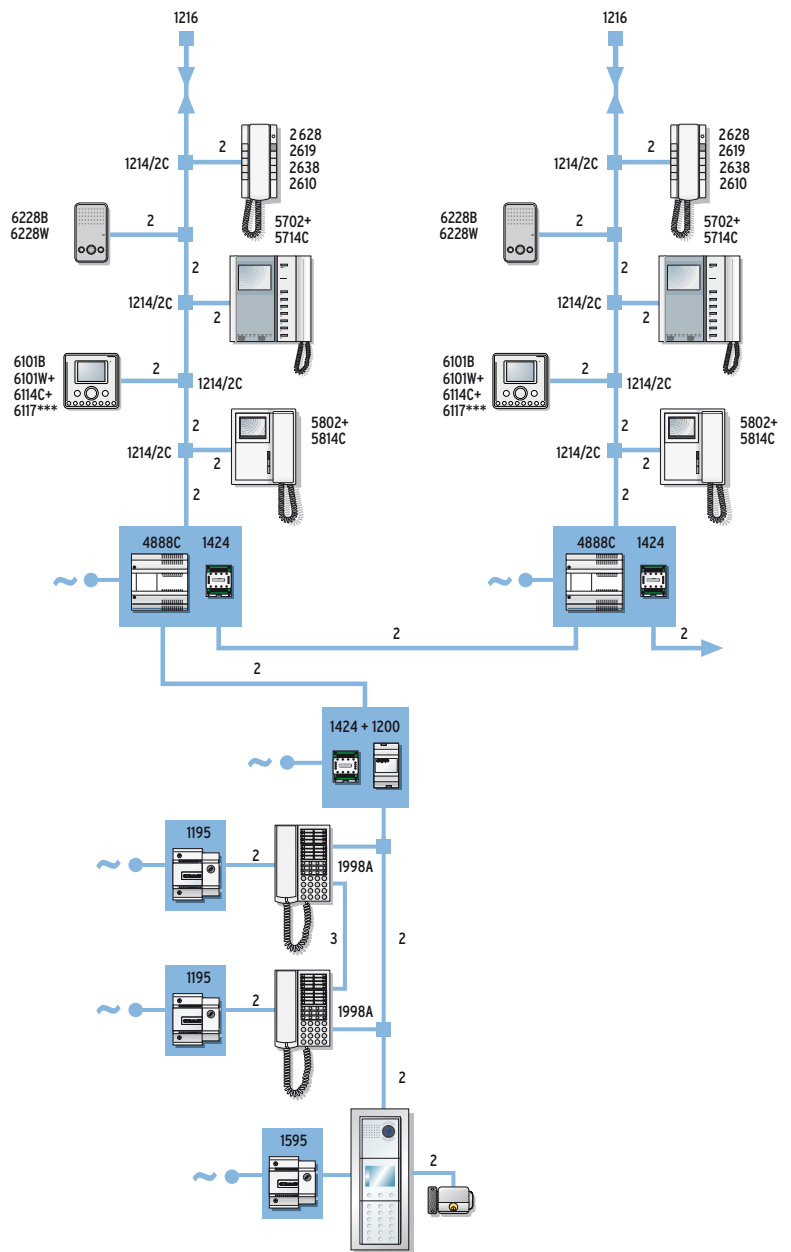
Diagrams

SimplebusTop | VIDEO-DIAGRAM

SBTOP/005PXICOM

Colour video entry phone system consisting of:

- 1 main audio/video entrance with digital module complete with electronic directory
- 2 audio porter switchboards
- n audio/video risers without additional audio speaker units



* The cornice is available in the following colours: White (3311/W), Anthracite (3311/A), Silver (3311/S).

** Should the GENIUS monitor be desired, order Art. 5802 and bracket Art. 5814C and for the monitor Bravo order the Art. 5702 and bracket Art. 5714C. For the Easycom monitor order the Art. 6228B/W or Art. 6228B and for the Style order the Art. 2628 or Art. 2619 or Art. 2638 or Art. 2610

***Planux monitor has to be used in conjunction with: flush-mount box (art. 6117), short wall bracket (art. 6120) or long wall bracket (art. 6121). Accessory for tilting the Planux monitor (art.6122) to be used with art. 6121 or flush-mount box art. 6117.

Main entrance

users	3110/3	3311/3*	33410	3360	4680C	1595	1424	1200	1195	1998A	
1-100	1	1	1	1	1	1	1	1	2	1	

Secondary entrance

users	4888C	1424	6114C	6101B - 6101W
1-100	1	1	1-100	1-100



YOUR PROFESSIONAL CONTACT:
Electronic Security Solutions, Inc.
1225 Shiloh Boulevard, #69 • Zion, Illinois 60099
847.767.3100
esslockingsystems.com



Comelit Group SpA

Via Don Arrigoni 5 - 24020 Rovetta S. Lorenzo - Bergamo - Italy
Tel. +39 0346 750 011 - Fax +39 0346 71436 - www.comelit.eu - www.simplehome.eu - info@comelit.it

[I] **Comelit Group SpA**

Via Don Arrigoni 5
24020 Rovetta S. Lorenzo
Bergamo Italy
Tel. +39 (0) 346 750011 - Fax +39 (0) 346 71436
www.comelit.eu
info@comelit.it

[B] **Comelit Group Belgium**

Doornveld 170
1731 Zellik (Asse)
Tel. +32 24115099 - Fax +32 24115097
www.comelit.be
info@comelit.be

[D] **Comelit Group Germany GmbH**

Brusseler Allee 23- 41812 Erkelenz
Tel. +49 243190151-23 - +49 243190151-24
Fax +49 24319015125
www.comelit.de - info@comelit.de

[E] **Comelit Espana S.L.**

Josep Estivill 67-69 - 08027 Barcelona
Tel. +34 932 430 376
Fax +34 934 084 683
www.comelit.es
info@comelit.es

[F] **Comelit Immotec**

Siège: 18, rue Séjourné
94000 CRETEIL CEDEX
Tél. +33 (0) 1 43 53 97 97
Fax +33 (0) 1 43 53 97 87
www.comelit.fr
contact@comelit-immotec.fr

[GR] **Comelit Hellas**

9 Epiru str.
16452 Argiroupolis - Athens Greece
Tel. +30 210 99 68 605-6
Fax +30 210 99 45 560
www.comelit.gr - telergo@otenet.gr

[IRL] **Comelit Ireland**

Suite 3 Herbert Hall
16 Herbert Street - Dublin 2
Tel. +353 (0) 1 619 0204
Fax +353 (0) 1 619 0298
www.comelit.ie - info@comelit.ie

[NL] **Comelit Nederland BV**

Buitendijks 1-3356 LX Papendrecht
Tel. +31 786511201
Fax +31 786170955
www.comelit.nl - info@comelit.nl

[PRC] **Comelit (Shanghai)
Electronics Co.,Ltd**

5 Floor No. 4 Building No.30,
Hongcao Road, Hi-Tech Park
Caohejing,
Shanghai, China
Tel. +86-21-64519192/9737/3527
Fax +86-21-64517710
www.comelit.com.cn
comelit@comelit.com.cn

[RU] **Comelit Russia**

Partiyiny per., n.1, korp.58,
stroenie 1,
6 floor, off. 21, 115093,
Moscow
+7(495)644-20-97
www.comelit.ru
info@comelit.ru

[SG] **Comelit Far East**

Block 1160, Depot Road #06-04
Telok Blangah Industrial Estate
Singapore 109674
Tel. +65-6748 8563
Fax +65-6748 8584
office@comelit.sg

[UAE] **Comelit Group U.A.E.
Middle East Office**

P.O. Box 54433
Dubai U.A.E.
Tel. +971 4 299 7533
Fax +971 4 299 7534
www.comelit.ae
info@comelit.ae

[UK] **Comelit Group UK Ltd**

Unit 4 Mallow Park
Watchmead
Welwyn Garden City Herts
AL7 1GX
Tel: +44 (0)1707377203
Fax: +44 (0)1707377204
www.comelitgroup.co.uk
info@comelitgroup.co.uk

[USA] **Comelit Usa**

250 W. Duarte Rd. Suite B
Monrovia, CA 91016
Tel. +1 626 930 0388
Fax +1 626 930 0488
www.comelitusa.com
sales@comelitusa.com

