

---

## PRODUCT BROCHURE

SALTO Systems' unique networked wire-free escutcheons and electronic cylinders can be used for an extensive range of access control applications. It's the first data-on-card RFID system that can be upgraded at any time. Now with advanced SALTO XS4 online battery-operated wireless lock system, you can experience real-time access control solutions without the need for wiring.

**Welcome to the access, Welcome to SALTO Systems.**

[www.salto.us](http://www.salto.us)

**SALTO**  
inspired access



[esslockingsystems.com](http://esslockingsystems.com)

**847.767.3100**



A close-up photograph of a person wearing a white lab coat and blue nitrile gloves, using a soldering iron to work on a circuit board. The background is blurred, showing more of the lab coat and some equipment. The text is overlaid on a blue semi-transparent rectangle.

## SALTO Systems **one jump ahead**

Since 2001 SALTO has been delivering the most technologically advanced electronic access control solutions in the market - wire-free and keyless. By creating the data-on-card based SALTO Virtual Network (SVN), SALTO has revolutionized access control around the world and set new standards in security, comfort and cost-effectiveness which will remain future proof.

The SALTO XS4 platform offers a wide range of the most comprehensive and versatile products, which allows SALTO to provide access control for the most diverse sectors - from office and government buildings to healthcare, public institutions, education, hospitality and airports.

Driven by continuous innovation and development, SALTO has established itself over more than ten years as one of the top five market-leading providers of electronic access control solutions. In addition to its headquarters in Oiartzun (Spain), SALTO now has offices in 26 countries worldwide. SALTO access control solutions can be found in over 90 countries on more than 2.5 million access points.

# XS4

## WIRE-FREE NETWORKED ACCESS CONTROL SOLUTIONS

Secure & control  
virtually every  
access point

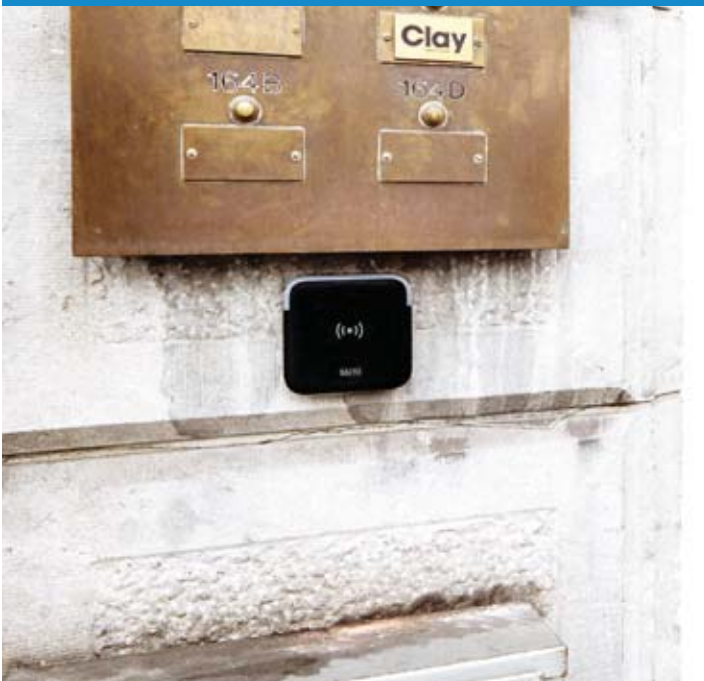
---

<b>SALTO XS4</b>	
Benefits & Customer Solutions	4
<b>TECHNOLOGY &amp; HOW DOES THE SYSTEM WORK?</b>	<b>8</b>
SALTO RFID Scalable (ROM)	10
SALTO Virtual Network (SVN)	12
SALTO Wireless	14
SALTO JustIN Mobile Solutions	16
SALTO KS	20
SALLIS - Integrations	24
<b>XS4 PLATFORM</b>	<b>26</b>
XS4 Electronic Escutcheons	28
XS4 Mini Electronic Door Locks	36
XS4 AElement Stylish Locks [WiDNA]	44
XS4 GEO Electronic Cylinders	54
XS4 Wall Readers	68
XS4 Vehicle Access	80
XS4 Control Units (CUs)	84
XS4 Locker Locks	94
XS4 Advanced Panic Bar Solutions	98
XS4 Mortise Locks	102
<b>XS4 PLATFORM COMPONENTS</b>	<b>108</b>
XS4 Wireless System Peripherals	110
XS4 Energy Saving Devices (ESD)	111
Access Control Management Tools	113
Credentials	114
<b>XS4 PLATFORM SOFTWARE</b>	<b>116</b>
ProAccess SPACE	118
Hospitality Add-ons	124
<b>SALTO KS PLATFORM COMPONENTS</b>	<b>126</b>
SALTO KS IQ	128
SALTO KS Tags	129
SALTO KS App	130
SALTO KS Web-App	130
<b>COMPANY PROFILE</b>	<b>132</b>
Contact	134



## SALTO Systems access control solutions

Inspiration, dedication and passion have led SALTO to become one of the world's top five manufacturers of electronic access control systems in little more than 10 years.



# Customer solutions

SALTO access control solutions are in use worldwide in a never-ending range of challenging and unique applications and facilities.

Core markets include commercial and manufacturing environments, public institutions, healthcare facilities of all types, educational settings and campuses, transport installations, leisure facilities, as well as the hospitality sector. SALTO solutions cover so many projects in so many markets due to the scalability of the system -- smaller projects can be implemented and easily expand to larger, even transnational solutions for up to 4 million users and 65,000 doors on demand.



## COMMERCIAL Applications

SALTO solutions are in use around the world in many types of office buildings, where they provide security, access control and staff and workforce management.



## RETAIL Applications

SALTO solutions makes access control a simple and secure solution for retail to manage keys, users and doors across multiple locations to ensure that only the right people get through.



## EDUCATION Applications

SALTO solutions are in use around the world in educational environments, providing 24/7 security, access control and campus management.



## HEALTHCARE Applications

SALTO solutions are in use around the world in healthcare environments where they provide security, access control and resident and staff management.



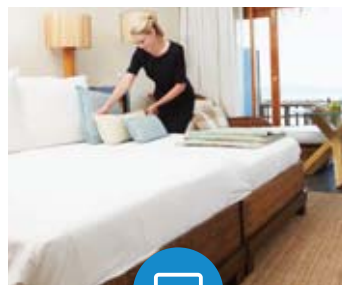
## GOVERNMENT Applications

SALTO solutions are in use in all types of public administration buildings, where they provide security, access control and personnel management.



## TRANSPORT Applications

SALTO solutions are in use around the world in airports, train, metro and bus stations, ports and ships, warehousing and more where they provide security, access control and passenger and employee management.



## HOSPITALITY Applications

SALTO Hospitality solutions take care of property security, as well as streamlining and maximizing staff management activities and improving guest experience.

[www.saltohospitality.com](http://www.saltohospitality.com)



## LEISURE Applications

SALTO solutions are in use in a wide variety of leisure and entertainment facilities where they provide security, access control and visitor and staff management.

# Wire-free access control

## The benefits of a SALTO solution

SALTO brings you more

### Security

Inventors of SALTO Virtual Network (SVN) with patented and fast read and write data-on-card technology, expertise in applying virtual networks in the most secure way.



SALTO brings you more

### Flexibility

A complete hardware and software platform suitable for virtually any door, opening or access point. SALTO meets the specific demands of each vertical market.



- ✓ Compatible with most common RFID technologies.
- ✓ Compatible with leading physical security information management systems (PSIM).
- ✓ Reliable products due to extensive in-house R&D, production and quality management.

- ✓ Open architecture and standardized interfaces allow seamless integration.
- ✓ Future-proof scalability.
- ✓ Longest in-depth knowledge of virtual network technology.
- ✓ Integration of legacy credentials and compatibility with 3rd party systems through multi-application.
- ✓ Market-driven development.

At SALTO, our goal is to always give our customers the products they need to meet and surpass the challenges they face. It's why we go the extra mile to design and manufacture innovative solutions using the latest technologies in order to meet requirements both now and in the future – whatever the market.

SALTO brings you greater

## Efficiency

Mechanical key management is costly, unsecure and a hassle. Upfront costs of replacing master keys, drilling out locks, updating all affected users' keys, plus indirect costs, such as maintenance team productivity can be substantial.



SALTO brings you better

## Usability

Effectively manage all online and offline access points and applications through a single software package.



- ✓ Cost-saving maintenance of door components.
- ✓ Maximized ROI through buy-once philosophy.
- ✓ Upfront investment is substantially less than with traditional wired access control solutions.
- ✓ SALTO hardware is designed to cost-effectively meet international wireless technology standards.

- ✓ Secure doors and a wide range of openings.
- ✓ Software structured around users for easy navigation and system management.
- ✓ Multi-application support allows one credential to be used for different applications.
- ✓ Update the access plan quickly, easily and securely.

# XS4 Platform

## next generation keyless access control

SALTO has developed a suite of access control solutions that balance security, accessibility and value. By embedding SALTO's world class solutions into their infrastructure, owners can protect their people, assets and businesses.

Realising tomorrow's keyless buildings today with innovative thinking and advanced technology.

Having revolutionized access control around the world in sectors where security is critical -

**from airports and healthcare to government, education and hotels -- we continue to deliver the most advanced and flexible electronic locking solutions on the market.**



### Wire-free

SALTO's wire-free, read & write electronic locking solutions technology enables each door lock to communicate with a centralized database.



### Design

Elegant, easy to install locking solutions that can be fitted to almost any type of door or opening.



### Management

Granular management of access privileges control when and where credentials are allowed. Easily view complete audit trails without having to interrogate individual locks.





# Discover our access control solutions

The SALTO XS4 access control platform combines electronic door components, peripherals and software, providing tailor-made, wire-free networked access control solutions. Everything fits together, everything works.

**SECURE, FLEXIBLE AND WIRE-FREE**





RFID Scalable  
Technology

# XS4

## RFID-based scalable access control technology ROM system

SALTO Systems' unique new networked escutcheons and cylinders can be used for an extensive range of access control applications. It's the first RFID system that can be upgraded at any time. Whether that be a simple self-programmable or ROM system, or a one card technology, SALTO Virtual Network (SVN) system allows you to control all the doors in an entire building or group of buildings from a single PC, or control and management of all access points remotely and in real-time with SALTO Wireless technology.

## You choose the level of security control you need.

### SIMPLE & SECURE SYSTEM FOR KEY MANAGEMENT

The XS4 ROM system provides all the benefits of a stand-alone access control system in a compact, cost effective package for user, key and door management for small installations.

Through an easy to use software you can create keys, users and doors, user groups and zones, and set time periods and opening modes that instruct the door to lock or unlock automatically as needed.

### SCALABILITY, FLEXIBILITY AND FUNCTIONALITY

SALTO has the options you need to find the right solution for the present and growing with you in the future.

From a simple self-programmable system that needs no computer to manage it, through a highly capable mid-range ROM system or up to the data-on-card SALTO Virtual Network (SVN) system that allows you to control all the doors in an entire building or group of buildings from a single PC, SALTO has what you need.

### MAIN FEATURES AND BENEFITS:

**Completely integrated with the SALTO XS4 platform** (escutcheons, electronic cylinders, wall readers and locker locks), making it easy to customise to your exact needs, even in existing projects that are already running the SALTO system.

**Computer managed**, allowing for the configuration of the electronic escutcheons, monitoring of access flows, recording access, adding and removing users and setting up the user access profile.

**The system can manage up to** 16,000 users and 65,000 doors.

**7 different opening modes** to suit your needs (standard, free passage ability, free passage with automatic locking, automatic opening, toggle and timed toggle).

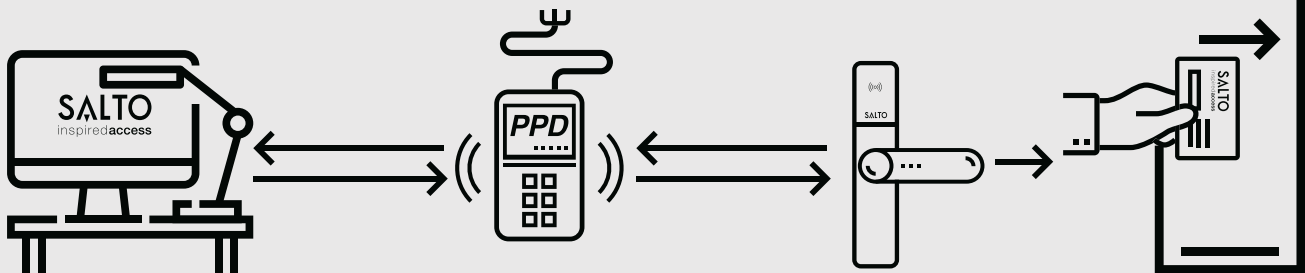
**30 time zones**, 4 calendars and 680 door events held in the electronic escutcheon/electronic cylinder memory.

**The system can be upgraded** simply by using a Portable Programming Device (PPD), making it possible to upgrade to a data-on-card SVN system when your needs change.

**Multi-application** through the contactless credential enables use of existing contactless RFID smart cards.

### ROM

## How it works



#### ProAccess ROM

- Add or delete users
- Set up user profiles (calendars, shifts...)
- Change escutcheon opening modes
- Event audit trail
- Stand-alone locks battery status remote report

#### Contactless Portable Programming Device (PPD)

Each time you connect the PPD to an escutcheon, electronic cylinder or wall reader, the event audit trail and battery status will be automatically downloaded.

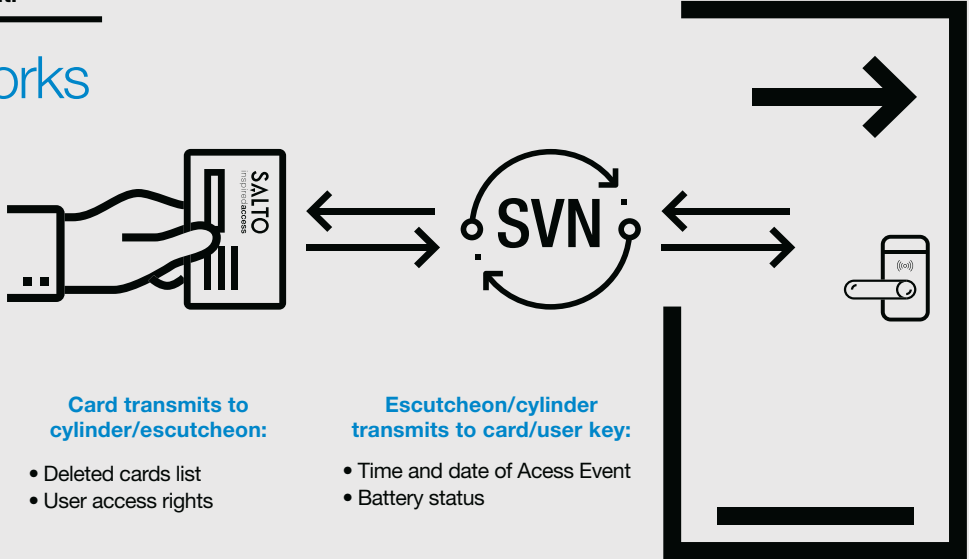
#### XS4 RFID Escutcheon / Cylinder / Wall Reader

Any changes you make such as: adding new users, deleting users, updating the escutcheons, electronic cylinders or wall reader, or collecting the event audit trail are done through its ProAccess ROM software and contactless PPD.



Access at offline point:

## How it works



Totally wire-free and networked through SALTO Virtual Network.

# XS4

## SALTO

### SVN data-on-card access control system

Easy to use system that integrates all your physical security needs through networked, stand-alone locks and online readers, giving you real-time access control for virtually all of the doors on your facility. This innovative, wire-free technology allows stand-alone electronic escutcheons to read, receive and write information via its operating smart cards. This data is captured from the cards at SVN online IP access points located at strategic points around the building. The “updating points” upload and download user related information that is then used to permit, control or deny access.

## Wire-free networked locking system

### NETWORKED READ & WRITE TECHNOLOGY

**Two-way communication between credentials and locks has revolutionized the security industry.**

The SALTO Virtual Network (SVN) is a data-on-card system based on a patented read/write technology. In a SVN environment, all user-related access information is stored on ID credentials, which act as carriers. In addition to updating access rights at hard-wired online access points, carriers also communicate a range of information that improves security and operational efficiencies.

### SECURED AND ENCRYPTED

**The exchange of information via RFID credentials is secured and encrypted.**

Simply by using the RFID card on the network, you distribute all the latest access information to the offline stand-alone electronic escutcheon, including the data on deleted cards, while at the same time picking up electronic escutcheon data like opening events and battery status.

### MAIN FEATURES AND BENEFITS:

**Cost-effective**, quick and easy installation as only update points require hard-wiring.

**Control and management of all access online and offline points remotely** from one or more workstations through SALTO ProAccess SPACE.

**Extremely secure investment** as SALTO SVN can be extended up to 65,000 doors, even on different sites in different countries, if required.

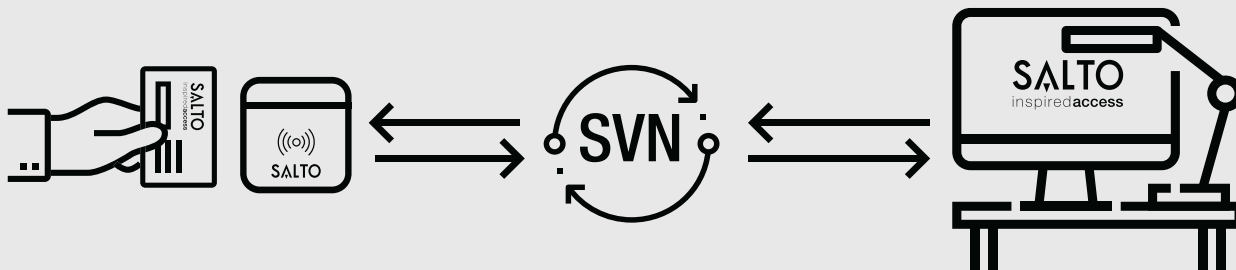
#### Secure:

- In case of a power failure, the access control system keeps functioning because of its battery-operated escutcheons and cylinders.
- Emergency openings can be performed through the PPD.
- Multiple workstations through SALTO ProAccess SPACE.

**More than 10 different opening modes** to suit your needs (standard, free passage ability, free passage with automatic locking, automatic opening, toggle, timed toggle, etc.).

**Available for all mainstream RFID technologies;** and multi-applications. One single carrier can be the access credential and can also be used in time and attendance or cashless payment systems.

### Access at online point:



#### Card transmits to the system via wall reader:

- User access event
- Visited door battery status

#### Wall reader transmits to card / user key:

- Deleted card list
- Updated user access rights
- Expiry date renovation

#### ProAccess SPACE functions:

- Add or delete users remotely
- User profiles updated easily (calendars, shifts ...)
- Dynamic event audit trail
- Remote stand-alone device battery status report
- Expiry date renovation

SALTO Virtual Network (SVN) capability is available in the entire XS4 platform (Escutcheons, cylinders, readers and lockers).



  
**WIRELESS**  
Wireless  
real-time

# XS4

## SALTO

### Wireless real-time access control system

SALTO Wireless has been developed to meet the highest demands related to security, life and safety. Real-time communication provides information and control over openings, so building managers can respond instantly to mitigate threats, emergencies or simply conduct day-to-day operations and maintenance.

## The access control you thought you'd never find.

### WIRELESS NETWORK ARCHITECTURE

**SALTO Wireless can function as an independent system or complement a SALTO Virtual Network (SVN) deployment.**

SALTO Wireless connects battery-powered electronic escutcheons and cylinders by means of radio transceivers with gateways which are connected by TCP/IP to the central management computer.

### EASY AND SECURE REAL-TIME MANAGEMENT

**SALTO Wireless is configured, controlled and managed in real-time with just the click of a mouse.**

Changing or deleting access rights, downloading audit trail information from the escutcheons and cylinders, collecting the battery status and much more is done in real-time in a very efficient way. Even if there's a disruption, the system will continue to work, as the virtual network of the battery-operated escutcheons and cylinders remains operative through SALTO SVN.

### MAIN FEATURES AND BENEFITS:

**Completely integrated with the SALTO XS4 platform** (escutcheons, electronic cylinders, wall readers and locker locks).

**Cost-effective**, quick and easy installation as completely wireless.

**Control and management of all access points remotely and in real-time** from one or more administrator workstations through SALTO ProAccess SPACE.

**If there's a disruption**, the access system will continue to work, as the virtual network of the battery-operated escutcheons and cylinders remains operative through SALTO SVN.

#### Advanced features and functions:

- Highly secured, meets RF IEEE 802.15.4 at 2.4Ghz Standard and is AES 128 bit encrypted.
- XS4 wireless escutcheons and cylinders receive blacklist information and remove cancelled keys from the system in real-time.
- Receive audit trail information in real-time and view door access without having to visit the door.
- Real-time door control: This includes door alarm, intrusion alarm, lockdown and remote door opening.
- Real-time battery control enables maintenance to view escutcheon power status in real-time.

## How it works



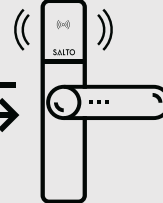
#### ProAccess SPACE functions:

- Access event
- Key cancellation
- Door monitoring
- Graphical mapping
- Battery status
- Remote emergency opening
- Remote emergency locking
- Opening function mode



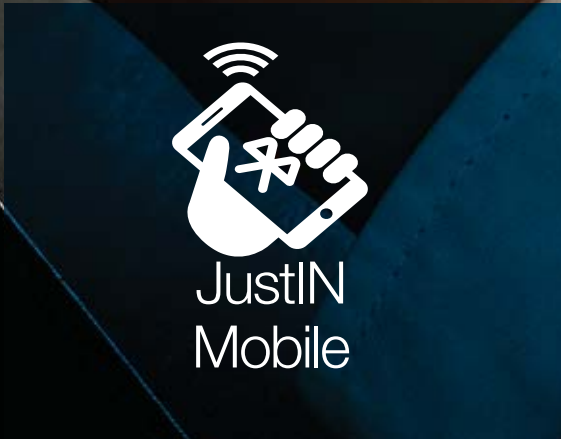
#### Gateway transmits to cylinder/escutcheon:

- Deleted card list
- Updates to the escutcheon or cylinder
- Lockdown in case of emergency situation



#### Cylinder/escutcheon transmits to gateway:

- Access event
- Battery status
- Intrusions alarm





# XS4

## SALTO

### JustIN Mobile

#### access control system

SALTO's JustIN Mobile technology makes it easy and secure to incorporate smartphones into your access control strategy. Using JustIN Mobile by SALTO adds a new level of flexibility to convenience to both end users and system managers. Distinguish your property with advanced technology that delivers added value.

## Bluetooth SMART-based access control solution - BLE

### YOUR PHONE IS YOUR KEY

**SALTO's JustIN Mobile technology allows users to use their smartphone to access doors.**

The intuitive JustIN Mobile app communicates securely via the cloud and allows users to receive their keys online, anytime and anywhere. The JustIN Mobile app allows for the receipt of both user and hardware event information (access granted, access denied, lock battery status, etc) OTA (Over The Air), without the need of any additional infrastructure.

### SIMPLE AND SECURE

**JustIN Mobile allows users to access a door with their BLE-enabled smartphone, simply and securely.**

And now, the JustIN Mobile app also features bi-directional communication so that user events (Access granted, Access denied, ...) and lock battery status are sent back to the system OTA (Over The Air) without the need for any additional infrastructure. JustIN Mobile app allows users to request the new permissions without the need of an operator instantly and remotely.

### MAIN FEATURES AND BENEFITS:

**Completely integrated with the SALTO XS4 platform.**

**Computer managed** through SALTO ProAccess SPACE.

#### User Friendly:

- End user decides how to receive a key: as a JustIN Mobile or as a physical credential.
- Allows managers to extend access or change access rights instantly and remotely.
- Works with a user's existing iOS and Android smartphone devices.
- JustIN Mobile app lets an end user receive their key online, anytime and anywhere.

#### Secure:

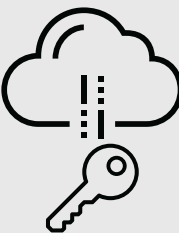
- Smartphone authentication technology for verifying a mobile user's identity: PIN / Fingerprint.
- AES 128 bit communication and secure opening procedure with key received securely encrypted using SSL (Secure Socket Layer).
- Instant key updates or key cancellations.
- Real-time access right changes, audit trails, and blacklisting lost keys.
- For a higher security level, no information is stored in the SALTO JustIN Cloud. SALTO JustIN Cloud is used only as a bridge between SALTO ProAccess SPACE software and the JustIN Mobile app.

## How it works



ProAccess SPACE

New access rights given by system administrator.



OTA

Users receive their keys OTA (Over the Air), anytime and anywhere at a registered and verified smartphone.



JustIN Mobile App

Users utilize their smartphones to select and open the door. All data transmission and the mobile key itself are encrypted and secured against cloning.



XS4 BLE-enabled standalone electronic lock

The app sends lock audit trail and low battery status monitoring for maintenance needed operations.



-BLE-



Welcome to Justin mobile SVN key up



Powered by  
**SALTO**



# XS4

## SALTO

### JustIN mSVN

#### access control system

SALTO's JustIN mSVN (mobile SALTO Virtual Network) is an innovative technology developed by SALTO to update a user's access rights Over the Air (OTA) by using SALTO's mSVN app for NFC-enabled phones. By allowing users to update their credentials remotely, SALTO's JustIN mSVN increases flexibility and usability without compromising security.

## Your keyless mobile world - NFC

### UPDATE YOUR KEY WITH YOUR PHONE

**With JustIN mSVN, it's now possible to update cards remotely.**

An innovative technology developed by SALTO to update a user's access rights Over the Air (OTA) using SALTO's JustIN mSVN app for NFC-enabled phones.

### REAL-TIME CREDENTIALS

**SALTO's JustIN mSVN increases flexibility and usability without compromising security.**

Direct, real-time communication between the mobile device and the user's credential increases productivity and flexibility without sacrificing security by enabling updates to happen when and where they are needed, without a user having to pass by a wired update point. All an end user needs is an NFC-enabled smartphone to update their DESFire EV1 credential using the JustIN mSVN app, thereby extending the reach and flexibility of an installation's security.

### MAIN FEATURES AND BENEFITS:

**Completely integrated with the SALTO XS4 platform** (escutcheons, electronic cylinders, wall readers and locker locks), making JustIN mSVN compatible with existing installations of SALTO's products.

**Computer managed** through SALTO ProAccess SPACE.

#### User friendly:

- The application is designed for mobile phones with integrated NFC.
- An innovative, easy to use app to manage access rights and to update user credentials, even when in transit.

#### Real-time credentials:

- Credentials automatically updated in cycles and remotely in real-time simply by a user presenting their credential to their smartphone.
- Blacklist & Tag. IT dissemination that increases security without the need to wire or visit doors.
- Dynamic access plan: Revalidation = New key every day.

#### Secure:

- Smart key compatibility: DESFire EV1 (AES – 3DES encryption). No information is stored in the cloud, and the cloud serves only as a transit point. The secure element is the DESFire EV1 credential.

## How it works



### ProAccess SPACE

New access rights given to authorized users by system administrator.



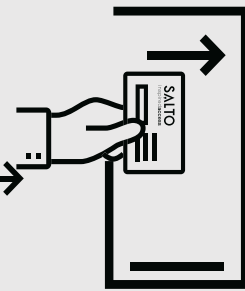
### OTA

New rights sent OTA (Over the Air) to SALTO cloud service where they are then sent to registered users' NFC-enabled smartphone.



### JustIN mSVN App

User updates credential by presenting it to smartphone using JustIN mSVN app, which serves as credential update point (same as a wired wall reader).



### Updated user key opens the door

User opens doors with updated access rights on the credential.





# SALTO KEYS

Keys as a Service

[www.saltoks.com](http://www.saltoks.com)

# SALTO KS

## SALTO KS

### Keys as a Service

SALTO cloud-based locking solution.

Its proven reliability and recognised stability brings cloud access control to every business, providing vastly better functionality and performance than is possible in a traditional mechanical solution with a flexible management system that requires no software installation nor the cost of a fully-wired electronic product - all you need is an online device with an Internet connection.

## Cloud access control, on-the-go and in real-time

### STOP REPLACING LOCKS

With SALTO KS there's no need to replace a lock if keys are lost or stolen. Simply block the SALTO KS tags, and assign new ones.

In case someone has lost or did not return one of your SALTO KS tag you simply block them via the SALTO KS App. Blocking is real-time without any delay and when you retrieve a tag you simply unblock it.

### CONTROL WHO GOES WHERE AND WHEN

Saltoks.com allows you to individually define who can enter which doors during which time periods.

No conventional key can do is change access rights on the fly. Saltoks.com gives you the opportunity to individually determine who enters when and where. And if you want to change that, just log-in, make your changes and it's done. No updating of SALTO KS tag or SALTO KS access point required. Have you ever been able to do this with your current lock?

### OPEN DOORS REMOTELY

With SALTO KS "Code" SALTO KS' one-time password technology, users can open doors remotely without a key.

One of the cool but really functional features of SALTO KS is the remote opening of doors with secure one-time password technology. You may not use it every day but when you need it, you will be happy it's there.

### GAIN ACTIVITY INSIGHTS

Receive notifications regarding door and user activity.

Saltoks.com offers you a message center that allows you to selfconfigure messages. For instance: who entered when or a message letting you know that a door was left open. And any message can have its own recipients and 3 receiving device types: Email, SMS and App Push Messages.

## How it works

# SALTO \ KS



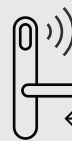
### SALTOKS.COM AND MOBILE APP

Your portal to your account, where you can create access groups, manage users and view entries to your properties from your computer or mobile devices.



### IQ

The IQ is the hub of the SALTO KS solution. Finds the best connectivity to communicate with SALTO KS locks and the SALTO KS apps.



### DOOR LOCKS

The SALTO cylinder and escutcheon are specially designed to fit different types of doors; including narrow profile framed doors, and exterior doors as well. SALTO offers a wide range of finishes to choose from.



### TAG

An RFID tag that makes keys a thing of the past. The tag triggers the lock to engage within seconds so visitors or employees can enter easily and according to their access rights.



From wherever you are.  
**Regardless where your business is.**

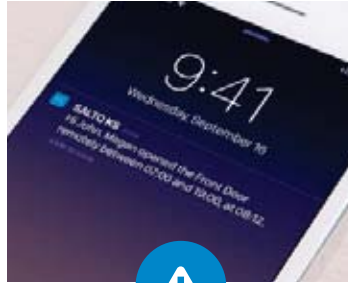
SALTO KS solution makes access control a simple and secure solution for businesses to manage keys, users and doors across multiple locations.





### **ACCESS RIGHTS** Who, where, when

Saltoks.com allows you to individually define who can enter which doors during which time periods.



### **MESSAGING** Activity insights

Receive notifications regarding door and user activity.



### **MULTIPLATFORM** Any device

Manage SALTO KS from any device – phone, tablet, pc - all you need is an online device with an Internet connection.

# Any door, anywhere

No software installation, scaling on any device, secured login, intuitive design, anything you may expect from today's cloud is in SALTO KS solution.

SALTO KS customers don't need to worry about running out of capacity, as SALTO KS is effectively infinite in size. The solution also incorporates state of the art security measures in all components and more importantly, it permanently and automatically gets updated.

Manage locks, people, messages and access rights with no hassle. That's how business access control should work. That's how SALTO KS works.



### **INSTANT BLOCKING** Stop replacing locks

Tags replace that ring of keys, simply assign a tag, and define when and where that tag can go.



### **REMOTE OPENING** Wherever you are

One of the really functional features of SALTO KS is the remote opening. Provide access without being physically there.



### **SECURITY** Secure APP

With SALTO KS "Code", SALTO KS' one-time password technology, the system makes sure users have proper rights to perform changes.



# SALTO \ SALLIS

Integrations



# SALLIS

## SALTO Lock Link System Integrations

In many security installations, there is a need for combining systems by different vendors. SALTO offers several ways to integrate with third-party products. This includes interfaces for connecting SALTO to third-party wired access control systems as well as integration with video surveillance, parking management, number plate recognition, biometrics, time & attendance, escape door control systems, Physical Security Information Management Systems (PSIMs), even training systems for safety instructions and much more.

## Seamless combination of different security systems.

### A NEW CONCEPT IN ACCESS CONTROL

**SALLIS technology enables you to link your access control system to the SALTO SALLIS wireless platform.**

It provides access control system capabilities to virtually any kind of door through a simple integration and without the need for any complex and expensive wiring through your company's access control panel or door controllers.

### A NEW WAY TO CONNECT PEOPLE TO ACCESS

**SALLIS uses an open standard protocol that enables a wide range of stand-alone locking devices to work seamlessly with but independently of your existing access control system or its manufacturer.**

There's no longer any need to hard-wire doors, giving you the ability to turn any door into a full-featured access control door where previously wiring was difficult, expensive or even impossible.

### MAIN FEATURES AND BENEFITS:

**Completely integrated with the SALTO XS4 platform.**

**Cost-effective**, quick and easy installation as completely wireless.

**Powerful diagnosis tool** thanks to over 25 different event codes within the audit trail.

**Based on audit trail:** when lock is offline, lock will grant access to the user according to their last user event within the lock. For high transit doors.

**Based on white list system:** up to 20 master keys subject to time zones can be stored in the lock memory. With proper set up, no door will be left without control. 600 audit trail events are stored on the lock, regardless of the state of the communication with the host.

**Features and functions:**

- Wireless communication AES 128 bit encryption.
- Wireless communication at 2.4ghz based on IEEE 802.15.4.
- Online audit trail.
- Online battery status control.
- Live door monitoring.
- 20 emergency codes subject to time zones.

## How it works



**Host & database**

The HOST is the access control system where the information related to access is hosted (users, time periods, calendars, etc.).



**Router**

The SALLIS Routers and Nodes are the link between the host and the rest of the platform and enable communication with the wireless escutcheons and cylinders.

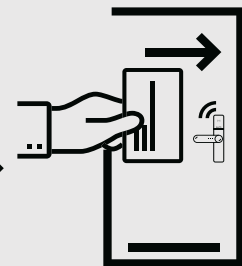


**Node**



**XS4 SALLIS  
escutcheon/cylinder**

The wireless locking devices are the core of the locking system itself and enable control of doors without need for complex wiring installations.



**The system consists of 4 elements that interact with each other to deliver the architecture of the system.**



# XS4 Escutcheons

**XS4 FOR ANSI MORTISE LOCKS**

XS4 ANSI Standard

XS4 ANSI with Keypad

**XS4 FOR GLASS DOORS**

**REFERENCE GUIDE**

Handles

Finishes

Models

Smart, secure, innovative and easy to install, the XS4 electronic escutcheon sets need no hard wiring and provide a totally wire-free networked electronic locking solution with a great range of features.

---

## Technical Data

### POWER SOURCE:

- XS4-60 wide version: 3 alkaline LR6 AA 1.5V. batteries optional FR6 - AA1,5V. Lithium batteries.

### NUMBER OF OPENINGS:

- Contactless versions: Up to 40,000 depending on the RFID technology.
- Low battery power indication monitored through the SALTO Virtual Network (SVN).

### ENVIRONMENTAL CONDITIONS:

- External escutcheon: -20° / 60° (-4°F / 140°F)
- Internal escutcheon: -20° / 60° (-4°F / 140°F)

---

## Main Features

- Simple installation by changing handle set, reliable and durable.
- SALTO SVN and SALTO Wireless network capable.
- Door status detector to monitor intrusions or door left open status (wireless escutcheons only).
- User on card audit trailing capability via the SALTO Virtual Network (SVN).
- All communication between the credential and the electronic lock is encrypted and secured.
- Low battery status information is obtained from credentials.
- The lock can always be opened from the inside (single action panic feature works in conjunction with the relevant mortise lock).
- High security protection via high resistance, hardened anti-drill plates to protect wiring and reader area.
- Handle fixed by steady fix system (patented).
- Concealed fixing screws for greater security and improved aesthetics.
- Available with mechanical cylinder cut outs for key override or access lock outs.
- Wide range of finishes, handles and retrofit cover plates.
- Suitable for emergency exits.
- Firmware upgrade through PPD.
- Emergency opening via portable programming device (PPD).

The XS4 escutcheon range is specially designed to fit on most standard doors, and work with the majority of ANSI mortise locks and cylindrical latches.

---

## Access Control Features

### USERS & DOORS:

- Maximum number of users per door: 4 million.
- Maximum number of doors per system: 65,000.
- Access levels: unlimited.

### CALENDARS & TIME ZONES:

- Calendars in system: 256
- Time zones: 256
- Time periods: 1,024

### EVENTS:

- Maximum events on lock audit: 1,000.
- Non volatile memory (memory is not deleted, even if power fails).

### MANAGEMENT SOFTWARE:

- SALTO ProAccess SPACE.

### ID TECHNOLOGIES:

- Covering the mainstream RFID technologies.
- Compatible with ISO 14443A, ISO 14443B and ISO 15693 (Vicinity).

---

## Lock Modes

### STANDARD:

Locked at all times.

### OFFICE MODE:

Free passage.

### TIMED OFFICE:

Automatic locking at end time.

### AUTOMATIC OPENING:

8 pairs of "hands free" timed lock and unlocks per day with holidays.

### TOGGLE:

Present card to lock, present card to unlock.

### TIMED TOGGLE:

Present card to lock, present card to unlock depending on schedules.

### AMOK MODE:

Local lockdown of the escutcheon for emergency situations (AMOK escutcheon models only).

### EXIT LEAVES OPEN MODE:

The lock remains unlocked after the inside handle is used.

# XS4 ANSI

XS4 Ax60 | XS4 ORIGINAL

The XS4 Original wide body version for ANSI mortise locks is specially designed to be compatible with most ANSI mortise locks and tubular latches. It is specially designed for use on busy, high traffic doors that need additional strength.



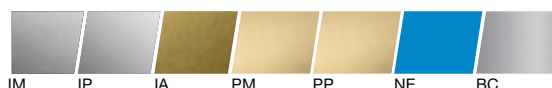
## FEATURES:

- Simple installation is possible on any type of door, including those with narrow frames.
- Body and escutcheon made of steel.
- Available with mechanical cylinder cut outs for key override or access lock outs (override Mortise cylinders).
- Mechanical or electronic privacy option.
- AMOK option for offline lockdown.
- The lock can always be opened from the inside (single action panic feature works in conjunction with the SALTO LA1T15 series mortise lock).
- Complementary escutcheons without reader available to maintain the aesthetics of doors that do not need to be controlled.

## READER COLOUR:



## FINISHES:



## TECHNICAL CHARACTERISTICS:

- Covers door thicknesses: From 32-47mm (1-3/8" - 1-3/4") up to 105-120 mm (4 1/8" - 4 3/4").
- Dimensions: 290mm (11 27/64") x 67mm (2 5/8") x 20mm (25/32").
- Clutch mechanism escutcheon; when unlocked handle moves freely.
- Handle rotation: 52°.
- Distance from the handle to the cylinder: 61mm (2 13/32"), 62mm (2 7/16") and 63mm (2 1/2").
- Compatible with ANSI standard mortise locks and tubular or latch mortise locks.
- Initial max. 4° pre-turn. SALTO recommends the use of a mortise lock with a maximum 4° pre-turn.
- Compatible with mortise cylinders for mechanical override.
- Square spindles available: 8mm (5/16"), 7mm diamond (7/32"), 8mm split (5/16"), 7mm diamond split (7/32") and 7,6mm (19/64").

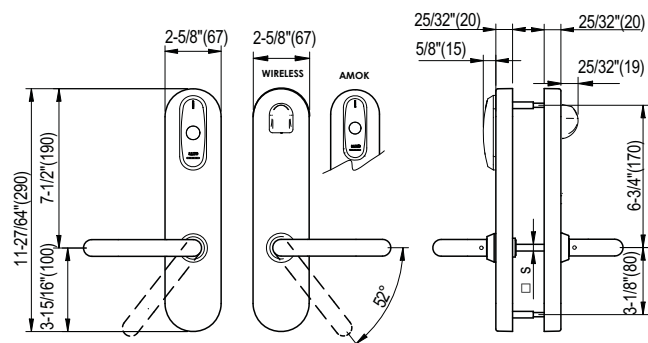
## PLATFORMS:



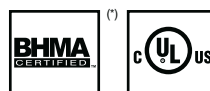
## ID TECHNOLOGIES :

- MIFARE® (DESFire EV1, Plus, Ultralight C, Classic - ISO/IEC 14443).
- Bluetooth SMART (BLE).
- NFC.
- HID iClass®.

## TECHNICAL DRAWING:



## CERTIFICATIONS



(\*) With SALTO LA1T lock case  
(\*\*) External escutcheon.

# XS4 ANSI - Keypad

XS4 Ax60K | XS4 ORIGINAL WITH KEYPAD

The SALTO XS4 ANSI electronic lock with keypad, designed to be compatible with most ANSI mortise locks and tubular latches, increases security and control as it offers the choice of three forms of authentication to grant access.



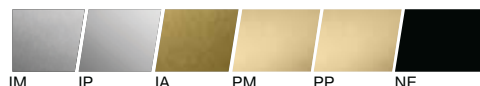
## FEATURES:

- Simple installation is possible on any type of door, including those with narrow frames.
- Body and escutcheon made of steel.
- Three forms of authentication configurations available to grant access:
  - Credential only.
  - Credential plus PIN.
  - Door code.
- Available with mechanical cylinder cut outs for key override or access lock outs (override mortise cylinders).
- Mechanical or electronic privacy option.
- The lock can always be opened from the inside (single action panic feature works in conjunction with the SALTO LA1T15 series mortise lock).

## READER COLOUR:



## FINISHES:



## TECHNICAL CHARACTERISTICS:

- Covers door thicknesses: From 32-47mm (1<sup>1</sup>/<sub>8</sub>"-1<sup>3</sup>/<sub>4</sub>") up to 105-120 mm (4<sup>1</sup>/<sub>8</sub>" - 4<sup>3</sup>/<sub>4</sub>").
- Dimensions: 290mm (11<sup>27</sup>/<sub>64</sub>" ) x 67mm (2<sup>5</sup>/<sub>8</sub>" ) x 20mm (2<sup>5</sup>/<sub>32</sub>").
- Clutch mechanism escutcheon when unlocked handle moves freely.
- Handle rotation: 52°.
- Distance from the handle to the cylinder: 61mm (2<sup>13</sup>/<sub>32</sub>" ), 62mm (2<sup>7</sup>/<sub>16</sub>" ) and 63mm (2<sup>1</sup>/<sub>2</sub>").
- Compatible with ANSI standards mortise locks and tubular or latch mortise locks.
- Initial max. 4° pre-turn. SALTO recommends the use of a mortise lock with a maximum 4° pre-turn.
- Compatible with mortise cylinders for mechanical override.
- Square spindles available: 8mm (5/<sub>16</sub>" ), 7mm diamond (7/<sub>32</sub>" ), 8mm split (7/<sub>16</sub>" ), 7mm diamond split (7/<sub>32</sub>" ) and 7,6mm (19/<sub>64</sub>" ).

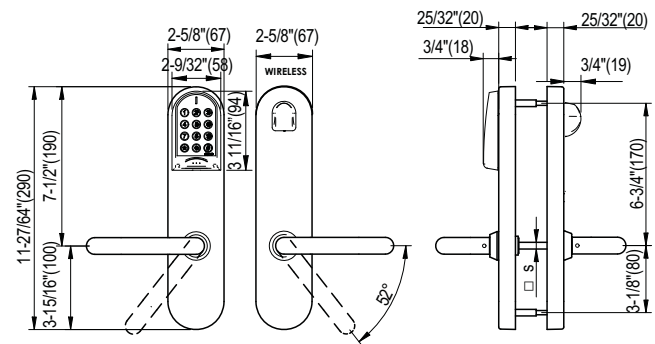
## PLATFORMS:



## ID TECHNOLOGIES :

- MIFARE® (DESFire EV1, Plus, Ultralight C, Classic - ISO/IEC 14443).
- NFC.
- HID iClass® (not available in SALLIS technology).

## TECHNICAL DRAWING:



## CERTIFICATIONS



# XS4 Glass Door - DIN

XS4 Ex6GD | GLASS DOOR LOCK DIN18101

The XS4 DIN glass door lock has been specially designed for use with DIN 18101 standard glass doors. Its steel body is stylish and modern and its unique 'sandwich body' construction makes it easy to install, without having to replace the door. A wireless version of the XS4 DIN glass door lock is also available for real-time access control requirements.



## FEATURES:

- Sandwich body design for easy installation.
- Body and escutcheon made of steel.
- Available with mechanical cylinder cut outs for key override or access lock outs (override European profile cylinder) with audit trail facility available.
- The lock can always be opened from the inside (single action panic feature works in conjunction with the SALTO automatic mortise lock).
- Door status detector inside to monitor intrusions or door left open status (wireless escutcheons only).
- Strike plates for glass frames and double doors available to meet the installation needs.
- Complementary escutcheons without reader available to maintain the aesthetics of doors that do not need to be controlled.

## READER COLOUR:



## FINISHES:



IM

## TECHNICAL CHARACTERISTICS:

- Covers door thicknesses: From 8mm up to 14mm.
- Dimensions: 296mm x 98,5mm x 22,5mm (11<sup>21</sup>/<sub>32</sub>" x 3<sup>7</sup>/<sub>8</sub>" x 5<sup>7</sup>/<sub>64</sub>").
- Clutch mechanism escutcheon; when unlocked handle moves freely.
- Handle rotation: 52°.
- Distance from the handle to the cylinder: 72mm (2<sup>55</sup>/<sub>64</sub>").
- DIN 18251 standard prepared for DIN 18250 standard glass doors.
- Automatic lock, the auxiliary latch (anti-card) projects and deadlocks the deadbolt.
- Compatible with European profile cylinders.
- Handle compatibility: 16mm Ø (5<sup>5</sup>/<sub>8</sub>"'), 18mm Ø (4<sup>5</sup>/<sub>64</sub>"').
- Handed mortise lock.
- Autodeadbolt mechanism.

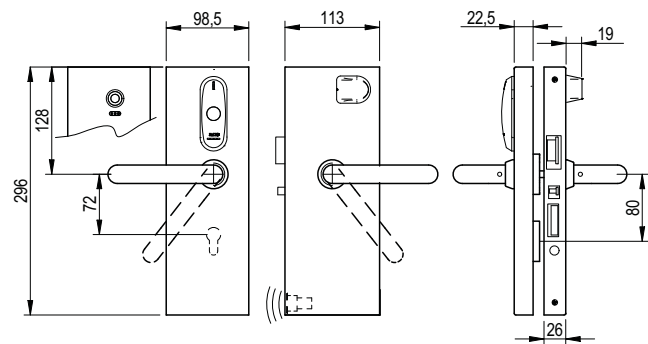
## PLATFORMS:



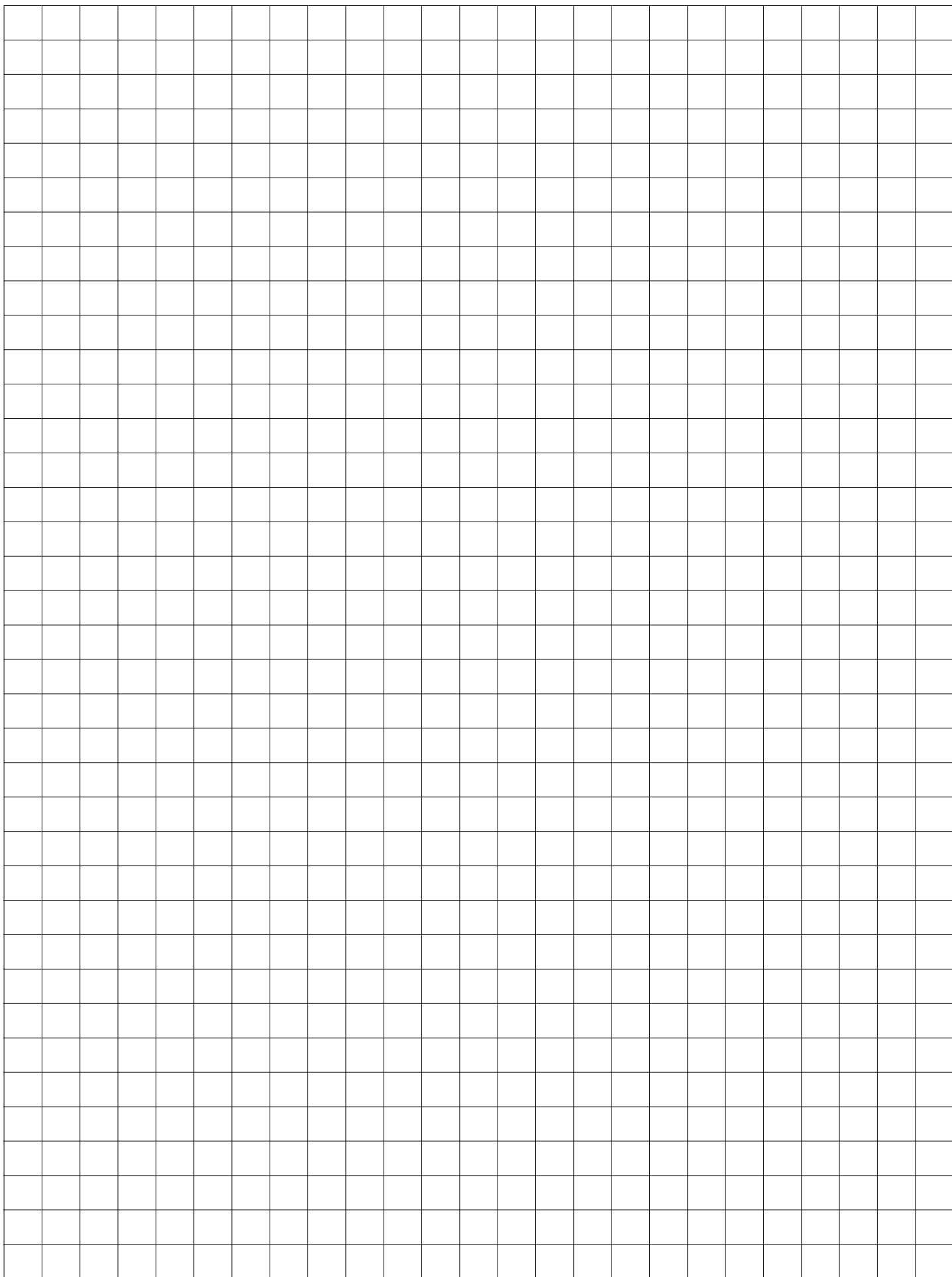
## ID TECHNOLOGIES :

- MIFARE® (DESFire EV1, Plus, Ultralight C, Classic - ISO/IEC 14443).
- Bluetooth SMART (BLE).
- NFC.
- HID iClass®.

## TECHNICAL DRAWING:



\* MIFARE® and BLE ID Technologies



# Reference guide information

**XS4 BY SALTO** | ELECTRONIC ESCUTCHEONS

Wire-free, easy to install and simple to use battery-operated electronic locking systems that can be fitted to almost any type of existing door and lock standards that are already in place anywhere for key control.

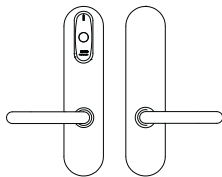
A	9	6	5	0	A	00	IM	3	8	-	W
—	—	—	—	—	—	—	—	—	—	—	—
PRODUCT TYPE	ID TECHNOLOGY	ESCUTCHEON WIDTH	ESCUTCHEON MODEL	FUNCTION	HANDLE	HANDLE TO CYLINDER DISTANCE	FINISHES	DOOR THICKNESS	SQUARE SPINDLE	HANDING	WIRELESS / AMOK / KEYPAD / SALTO KS / SALLIS
1	2	3	4	5	6	7	8	9	10	11	12

## 1 | PRODUCT TYPE

A ANSI escutcheons compatible with ANSI mortise locks.

## 3 | ESCUTCHEON WIDTH

6 67mm wide model escutcheons.



## 4 | ESCUTCHEON MODEL

5 Clutch.

6 Clutch + override.

## 2 | ID TECHNOLOGY

9 Contactless MIFARE® (DESFire EV1, Plus, Ultralight C, Classic - ISO/IEC 14443).

H Contactless HID iClass.®

B Contactless BLE & MIFARE DESFire.

## 5 | FUNCTION

0 2 Handles, any type.

6 2 Handles, any type, Electronic privacy push button system.

8 2 Handles, any type, Deadbolt privacy.

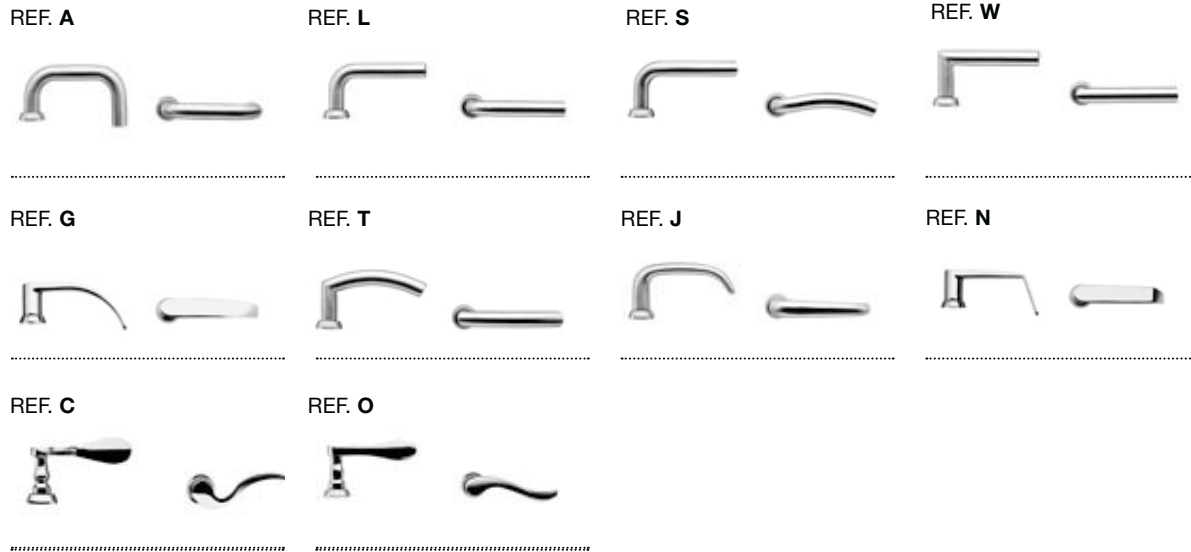


---

## 6 | HANDLE

---

XS4 offers a wide choice of functional and stylishly designed handles suitable for use on any type of door. Some of the lever handles have been designed to meet the latest ADA (American Disabilities Act) requirements, ensuring they are simple and easy to operate.



## 7 | THUMBTURN TO LEVER DISTANCE

---

- 00 No thumbturn.
  - 61 With deadbolt 2 13/32".
  - 62 With deadbolt 2 7/16".
  - 63 With deadbolt 2 1/2".
- 

## 8 | FINISHES

---

Various finish options are available to allow for contemporary or classic styling to match any taste or design in décor, and to help in ADA impaired vision requirements.

### Stainless steel finishes



**Satin**  
Stainless Steel  
(IM)

**Polished**  
Stainless Steel  
(IP)

### Brass finishes



**Antique**  
Brass  
(IA)\*

**Satin**  
Brass PVD  
(PM)

**Polished**  
Brass PVD  
(PP)

### Black chromium



**Black**  
(NE)

---

**9 | DOOR THICKNESS**

---

- 3 Door thicknesses from 1 3/8" to 1 3/4".
- 4 Door thicknesses from 1 3/4" to 2 1/4".
- 6 Door thicknesses from 2 1/4" to 3".
- 7 Door thicknesses from 3" to 3 1/2".
- 9 Door thicknesses from 3 1/2" to 4 1/8".
- 1 Door thicknesses from 4 1/8" to 4 3/4".

---

**10 | SQUARE SPINDLE**

---

- 8 8mm square spindle (5/16")
- D Diamond 3/32" spindle.

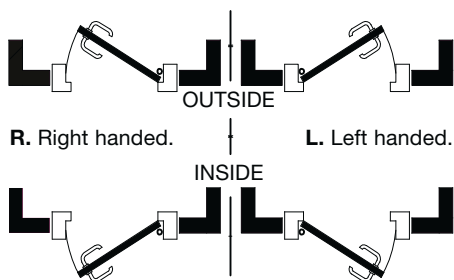
---

**11 | HANDING**

---

R Right handed. Only for O or S handles.

L Left handed. Only for O or S handles.




---

**12 | WIRELESS / AMOK / KEYPAD / SALTO KS / SALLIS**

---

C Convertible. Offline model ready to upgrade to Wireless real-time access control system.

W Wireless, for real-time access control.

A AMOK, for offline lockdown.

K Keypad. Increases security and control as it offers the choice of three forms of authentication to grant access.

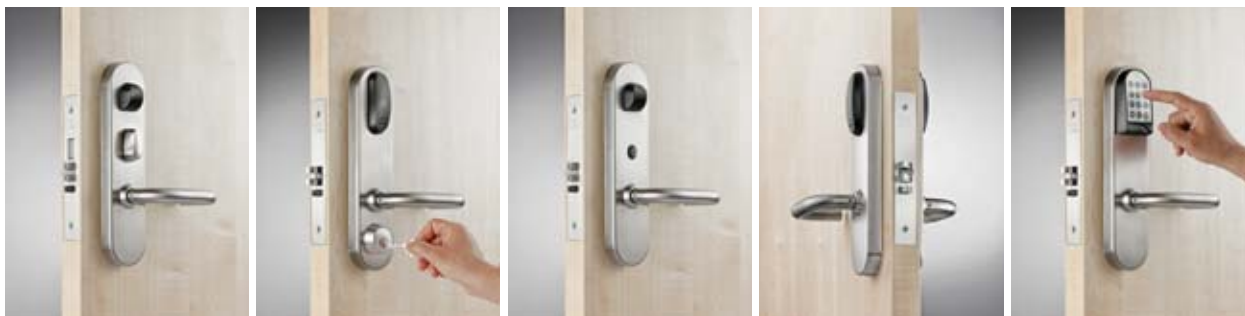
Y SALTO KS by SALTO models.

S SALLIS. SALTO Lock Link System.

---

**EX. I | MODEL EXAMPLES**

---



— Mechanical privacy option

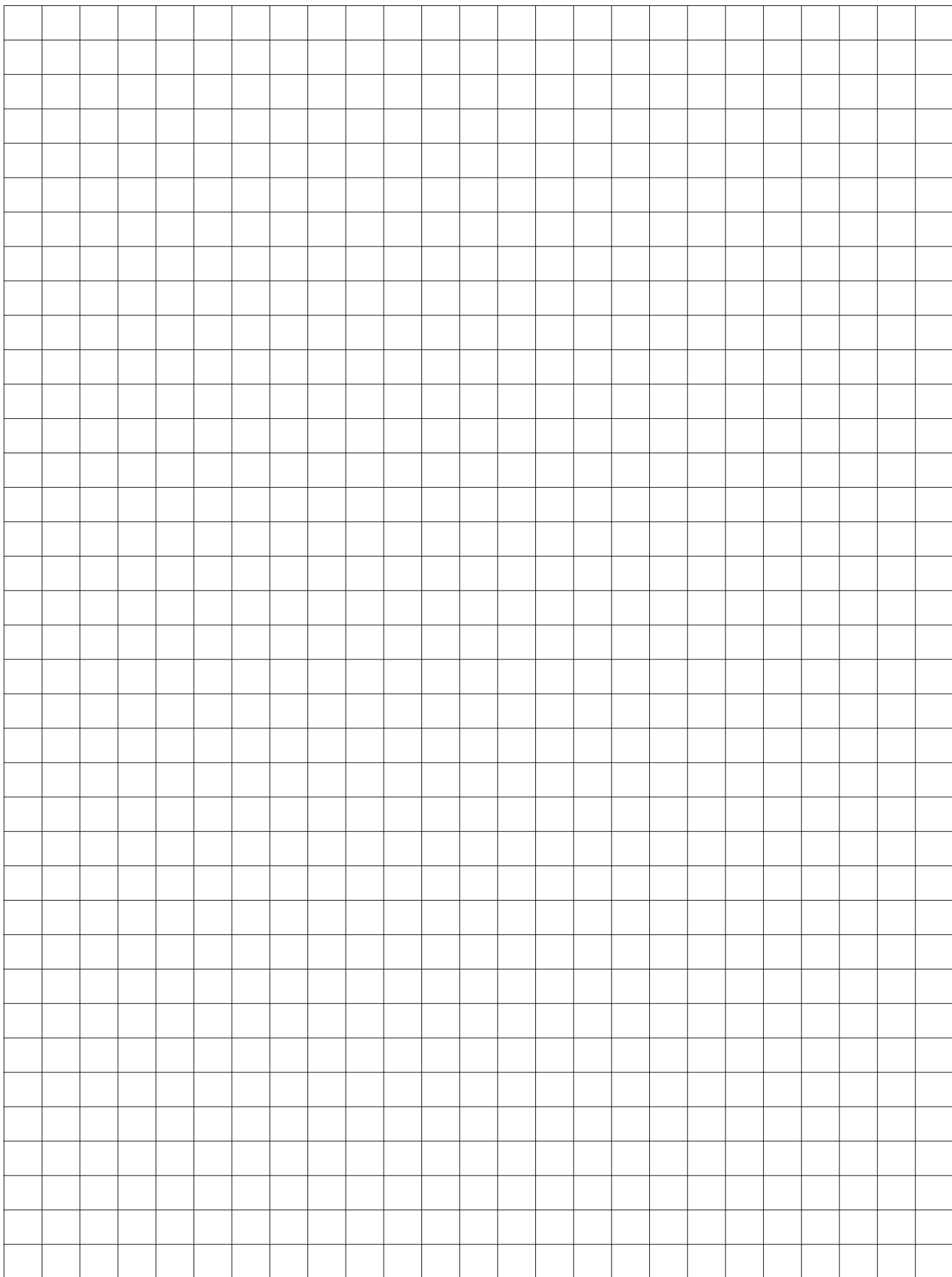
— Key override option

— Electronic privacy option

— AMOK

— Keypad

\* Not all models allow all configurations; please refer to SALTO Systems price list to see the detail of each model.





## XS4 Mini

### ANSI MORTISE LOCKS STANDARD

XS4 Mini for ANSI Cylindrical Latches

### REFERENCE GUIDE

Handles

Finishes

Models

Stylish design is a SALTO trademark and with the XS4 Mini, we raise the bar on this already high standard thanks to its small, discreet size combined with a modern, clean LED aesthetic.

---

## Technical Data

### POWER SOURCE:

- XS4 Mini: 3 alkaline batteries - LR06 - AA 1.5V

### NUMBER OF OPENINGS:

- Contactless versions: Up to 40,000 openings.
- Low battery power indication monitored through the SALTO Virtual Network (SVN).
- The last 1,000 operations are signalled.

### ENVIRONMENTAL CONDITIONS:

- External lock: -20° / 60° (-4°F / 140°F).
- Not suitable for outdoor use.

---

## Main Features

- Fully integrated with the SALTO XS4 platform.
- Simple installation by changing handle set, using just two screws, whether installing on new or existing doors.
- Easy to maintain: Battery change is all that's needed.
- For inside use: Attractive design is ideal for indoor use and easy to retrofit.
- Card user audit trail is reported via the SALTO Virtual Network (SVN).
- All communication between the credential and the electronic lock is encrypted and secured.
- Low battery status information is obtained from credentials.
- Dual color LED lights and optional audible signal to indicate access authorisation.
- The lock can always be opened from the inside (single action panic feature works in conjunction with the relevant mortise lock).
- Concealed fixing screws for greater security and improved aesthetics.
- Available in 2 different finishes: White and Black.
- Wide range of finishes, handles and retrofit cover plates.
- Firmware upgrade through contactless PPD.
- Emergency opening via contactless portable programming device (PPD).

The Mini's smart compactness simplifies installation. The XS4 Mini maintains the fire rating of the door as no additional drilling of the door is required.

---

## Access Control Features

### USERS & DOORS:

- Maximum number of users per door: 4 million.
- Maximum number of doors per system: 65,000.
- Access levels: unlimited.

### CALENDARS & TIME ZONES:

- Calendars in system: 256
- Time zones: 256
- Time periods: 1,024

### EVENTS:

- Maximum events on lock audit: 1,000.
- Non volatile memory (memory is not deleted, even if power fails).

### MANAGEMENT SOFTWARE:

- SALTO ProAccess SPACE.

### ID TECHNOLOGIES:

- Covering the mainstream MIFARE RFID technologies.
- Compatible with ISO 14443A, ISO 14443B and ISO 15693 (Vicinity).

---

## Lock Modes

### STANDARD:

Locked at all times.

### OFFICE MODE:

Free passage.

### TIMED OFFICE:

Automatic locking at end time.

### AUTOMATIC OPENING:

8 pairs of "hands free" timed lock and unlocks per day with holidays.

### TOGGLE:

Present card to lock, present card to unlock.

### TIMED TOGGLE:

Present card to lock, present card to unlock depending on schedules.

# XS4 Mini - ANSI

Cx2x0 | XS4 MINI FOR CYLINDRICAL LATCH

The XS4 Mini ANSI for cylindrical or tubular latches has been designed to meet ANSI A156.2 Grade 1 or 2 cylindrical latch requirements. Easy, simple and quick way to replace existing traditional knob sets, and upgrade them with a state of the art electronic access control system with SALTO's cartridge cylindrical latch.



## FEATURES:

- Simple installation, using just two screws when installing on new or existing ANSI cylindrical latch door standards.
- Clear, Dual color LED lights and optional audible signal to indicate access authorisation.
- High security via high resistance, hardened anti-drill protection.
- Concealed fixing screws for greater security and improved aesthetics.
- For indoor applications: quick and easy install makes it ideal for retrofits.

## READER COLOUR:



## FINISHES:



CS CP PP PM NE BC  
 BHMA682 BHMA629 BHMA729 BHMA732 BHMA685  
 US26D US26 US3 US4

## TECHNICAL CHARACTERISTICS:

- Covers door thicknesses: From 32mm up to 120mm (1 1/4" to 4 23/32").
- Dimensions: 127mm x 58,5mm x 22,5mm (5" x 2 19/64" x 5/64").
- Non-handed electronic lock.
- Clutch mechanism escutcheon; when unlocked handle moves freely.
- Handle rotation: 60°.
- To be used in combination with XS4 Mini ANSI's cylindrical latch only.

## PLATFORMS:



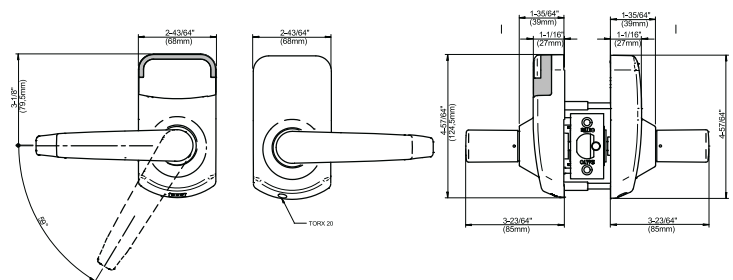
## ID TECHNOLOGIES :

- MIFARE® (DESFire EV1, Plus, Ultralight C, Classic - ISO/IEC 14443).
- Bluetooth SMART (BLE) / NFC.

## HANDLES:



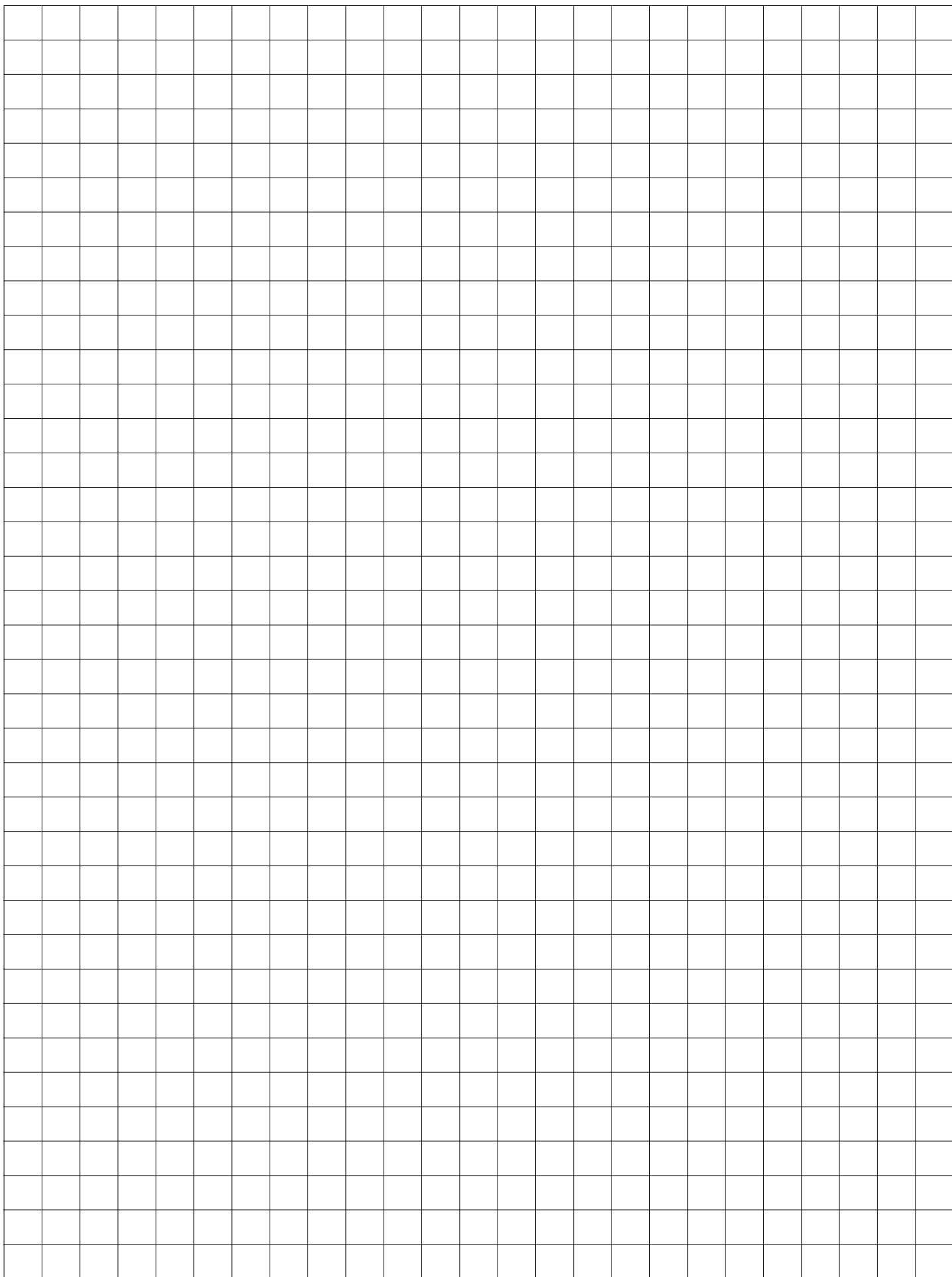
## TECHNICAL DRAWING:



## CERTIFICATIONS:



(1) Grade 1 according to ANSI standards



# Reference guide information

**XS4 MINI BY SALTO** | ELECTRONIC ESCUTCHEONS

Wire-free, easy to install and simple to use battery-operated electronic locking systems that can be fitted to almost any type of existing door and lock standards that are already in place anywhere for key control.

<b>C</b>	<b>9</b>	<b>2</b>	<b>5</b>	<b>0</b>	<b>N</b>	<b>60</b>	<b>CS</b>	<b>B</b>	<b>3</b>
—	—	—	—	—	—	—	—	—	—
<b>PRODUCT TYPE</b>	<b>ID TECHNOLOGY</b>	<b>MODEL XS4 MINI</b>	<b>ESCUTCHEON MODEL</b>	<b>FUNCTION</b>	<b>HANDLE</b>	<b>BACKSET</b>	<b>FINISH</b>	<b>READER COLOUR</b>	<b>DOOR THICKNESS</b>
—	—	—	—	—	—	—	—	—	—
<b>1</b>	<b>2</b>	<b>3</b>	<b>4</b>	<b>5</b>	<b>6</b>	<b>7</b>	<b>8</b>	<b>9</b>	<b>10</b>

## 1 | PRODUCT TYPE

**C** SALTO XS4 MINI escutcheon in combination with XS4 Mini ANSI cylindrical latch only.

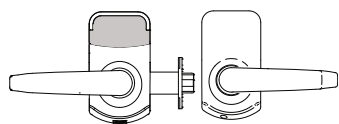
## 2 | ID TECHNOLOGY

### RFID

**9** Contactless MIFARE® (DESFire EV1, Plus, Ultralight C, Classic - ISO/IEC 14443).  
**B** Contactless BLE & MIFARE DESFire.

## 3 | MODEL XS4 MINI

**2** SALTO XS4 MINI



## 4 | ESCUTCHEON MODEL

**5** Clutch.  
**6** Clutch + key override.

## 5 | FUNCTION

**0** No privacy.



---

## 6 | HANDLE

---

XS4 MINI offers a wide choice of functional and stylishly designed handles suitable for use on any type of door. Some of the lever handles have been designed to meet the latest ADA (Americans with Disabilities Act) requirements, ensuring they are simple and easy to operate.

REF. N



REF. R



---

## 7 | BACKSET

---

60	2 3/8" (60 mm).
70	2 3/4" (70 mm).
95	3 3/4" (95 mm).
27	5" (127mm).

---

## 8 | FINISHES

---

Various finish options are available to allow for contemporary or classic styling to match any taste or design in décor, and to help in ADA impaired vision requirements.

						
CS	CP	IA	PM	PP	NE	BC
<b>Satin Chrome</b> BHMA 682 US26D	<b>Polished Chrome</b> BHMA 689 US26	<b>Antique Brass</b> BHMA 638 US5	<b>Satin Brass (PVD)</b> BHMA 732 US4	<b>Pol. Brass (PVD)</b> BHMA 729 US3	<b>Satin Chrome Black</b> BHMA 685	<b>BioCote®</b> Antimicrobial Coating

---

## 8 | READER COLOURS

---

Two reader finish options are available to be able to combine with all the environments, no matter the design.

W White reader finish



B Black reader finish



---

## 9 | DOOR THICKNESS

---

3 From 1 3/8" to 1 3/4"

7 From 3" to 3 1/2"

4 From 1 3/4" to 2 3/8"

9 From 3 1/2" to 4 1/8"

6 From 2 3/8" to 3"

1 From 4 1/8" to 4 3/4"

---

## EX. | MODEL EXAMPLES

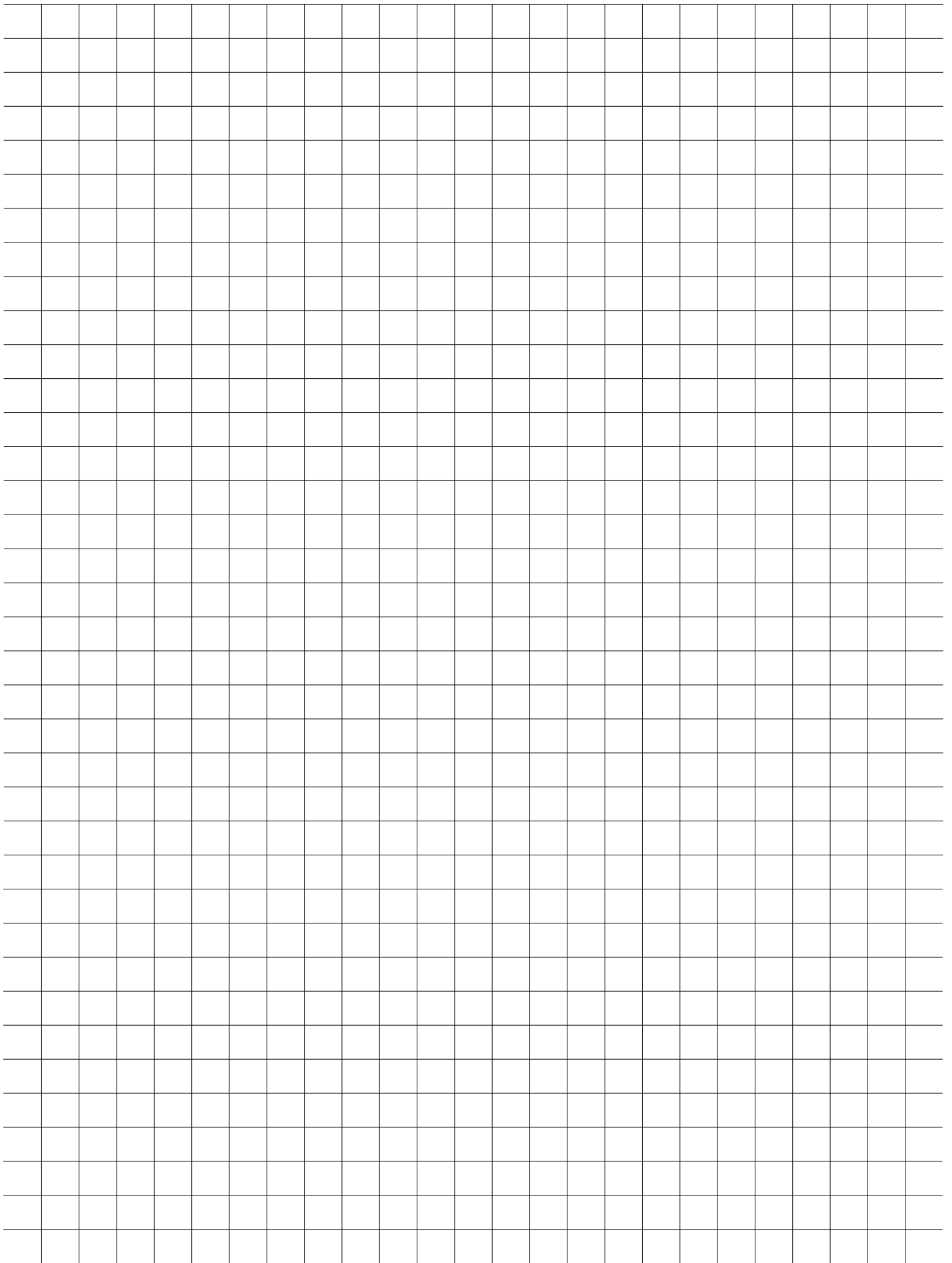
---



Black reader



White reader





# AElement

**AELEMENT - ANSI STANDARD**

AElement ANSI

**REFERENCE GUIDE**

Handles

Finishes

Models

## AELEMENT BY SALTO | STYLISH LOCKS

The AElement is an RFID lock that allows you to integrate all your physical security needs into one stylish, energy efficient, reliable, wire-free system.

---

## Technical Data

### POWER SOURCE:

- AElement: 3 alkaline batteries - LR03 - AAA 1.5V.

### NUMBER OF OPENINGS:

- Contactless versions: Up to 50,000 openings.

### ENVIRONMENTAL CONDITIONS:

- Electronics: 0° / 60° (32°F / 140°F).
- Not suitable for outdoor use.

---

## Main Features

- Easy to maintain: Battery change is all that's needed.
- SALTO SVN and SALTO Wireless network capable.
- Wireless ready lock that can be upgraded to wireless online.
- Handle block mechanism lock.
- To be used only with SALTO AEElement mortise lock series.
- Reader body made using double layered injection construction.
- The lock can always be opened from the inside (single action panic feature works in conjunction with the SALTO mortise lock).
- Clear, dual color LED lights and optional audible signal to indicate access authorisation.
- Concealed fixing screws for greater security and improved aesthetics.
- Wire-free stand-alone networked system through SVN technology.
- Attractive range of standard handle designs and finishes, designer lever handles from well-known brands approved.
- ADA (American Disabilities Act) compliant (depending on the type of handle).
- Emergency opening via contactless Portable Programming Device (PPD).

The minimalistic design of its RFID reader looks chic and discreet on any door, and can be combined with a wide range of either SALTO or designer handles.

---

## Access Control Features

### USERS & DOORS:

- Maximum number of users per door: 4 million.
- Maximum number of doors per system: 65,000.
- Access levels: unlimited.

### CALENDARS & TIME ZONES:

- Calendars in system: 256
- Time zones: 256
- Time periods: 1,024

### EVENTS:

- Maximum events on lock audit: 1,000.
- Non volatile memory (memory is not deleted, even if power fails).

### MANAGEMENT SOFTWARE:

- SALTO ProAccess SPACE.

### ID TECHNOLOGIES:

- Covering the mainstream MIFARE RFID technologies.
- Compatible with ISO 14443A, ISO 14443B and ISO 15693 (Vicinity).

---

## Lock Modes

### STANDARD:

Locked at all times.

### AUTOMATIC OPENING:

8 pairs of "hands free" timed lock and unlocks per day with holidays.

### TOGGLE:

Present card to lock, present card to unlock.

### TIMED TOGGLE:

Present card to lock, present card to unlock depending on schedules

### OFFICE MODE:

Free passage mode.

### EXIT LEAVES OPEN MODE:

The lock remains unlocked after the inside handle is used.

# AELEMENT - ANSI

AE90 | AELEMENT

The AELEMENT ANSI version is specially designed to fit on most ANSI A 156.13 doors. The minimalistic design of the RFID reader looks stylish and discreet on any door. It also offers the choice of a wide range of designer lever handles and finishes.



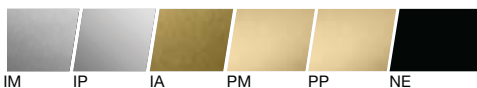
## ELECTRONICS FEATURES:

- Reader body made using double layered injection construction.
- Clear dual colour LED light (green/red) to indicate lock authorisation.
- Mechanical privacy option by a mechanical thumbturn. The user can activate the “do not disturb” function just by operating this thumbturn.
- Special blink and beep indication when lock is in privacy mode.
- Ability to enable/disable the acoustic signal.
- Available with mechanical cylinder key override or access lock outs (override mortise cylinders) when needed.
- Compatible with European ANSI A 125.13. mortise lock retrofit.
- UL10C compliant.

## READER COLOUR:



## BASE FRAME FINISHES:



## TECHNICAL CHARACTERISTICS:

- Covers door thicknesses: From 1 3/8" - 1 49/64" up to 4 17/32" - 4 59/64".
- Reader dimensions: 2 41/64" x 1 49/64" x 43/64".
- Battery pack dimensions (inside): 4 9/16" x 1"
- Handle block mechanism lock.
- Handle rotation: 52°.
- To be used in combination with SALTO LA1T17 mortise lock.
- Square spindles: 8mm split (SALTO spindles required) (5/16").

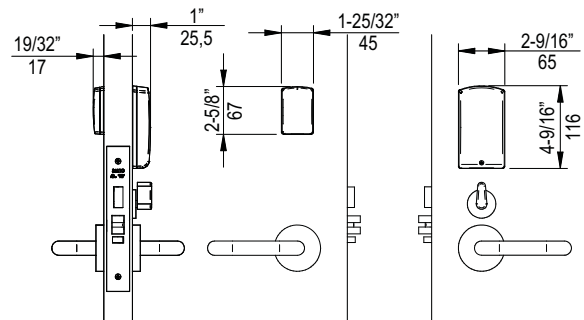
## PLATFORMS:



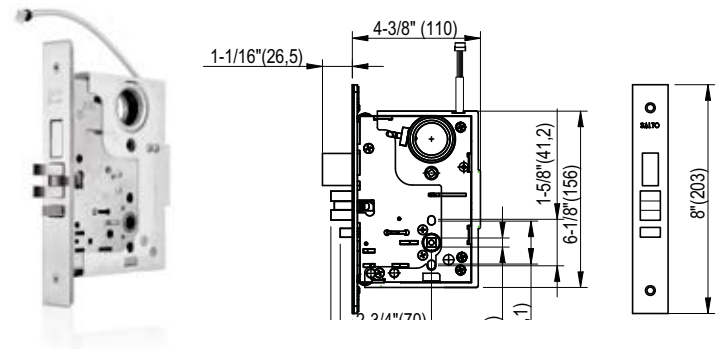
## ID TECHNOLOGIES :

- MIFARE® (DESFire EV1, Plus, Ultralight C, Classic - ISO/IEC 14443).
- Bluetooth SMART.
- NFC.

## TECHNICAL DRAWING:



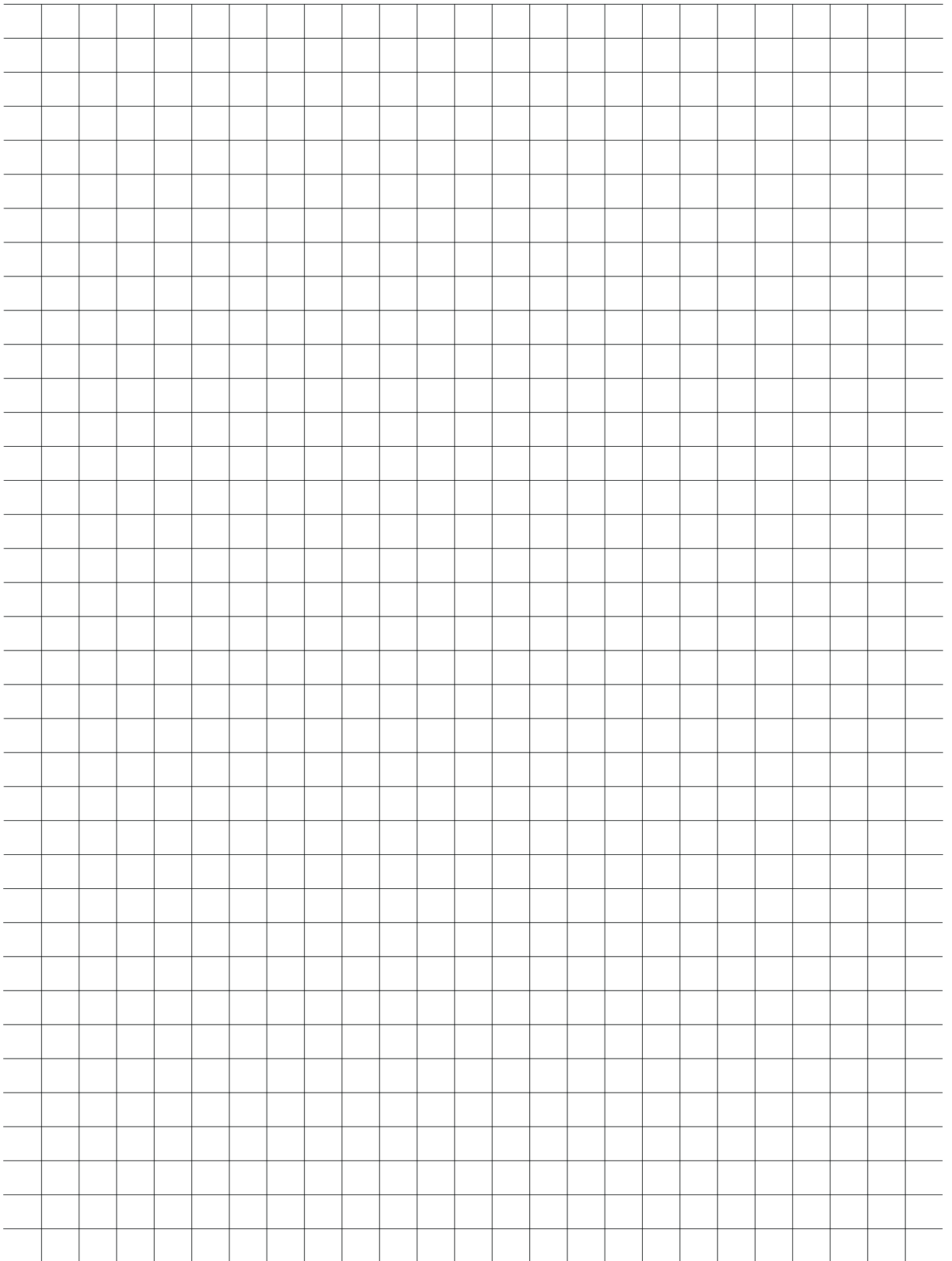
## ANSI A 125.13 AELEMENT MORTISE LOCK:



## MORTISE LOCKS FEATURES:

- Mortise lock with built in door detector, privacy detector and mechanical key override detector.
- Axe distance 62mm (2 7/16").
- Lock latched deadbolt made of steel.
- Choice of finishes: satin stainless steel or gold enamelled.
- Front plate shape: square.
- Handed lock - L/R - reversible.
- Inside always allows free egress (Anti-panic in combination with lock).
- UL 10C listed (90 min).





# Reference guide information

## AELEMENT BY SALTO | STYLISH LOCKS

Wire-free, easy to install and simple to use battery-operated electronic locking systems that can be fitted to almost any type of existing door and lock standards that are already in place anywhere for key control.

AElement by SALTO is an electronic lock composed of three main components that need to be purchased separately:

- The AElement ELECTRONICS.
- The AElement MORTISE LOCK.
- The AElement HANDLE selection.

### AElement ELECTRONICS

AE	9	0	IM	B	A	3	A	8	W
PRODUCT TYPE	ID TECHNOLOGY	PRIVACY FUNCTION	BASE FRAME FINISH	READER COLOUR	BATTERY PACK COLOUR	DOOR THICKNESS	LOCK DESCENTRATION	SPLIT SPINDLE	WIRELESS
1	2	3	4	5	6	7	8	9	10

#### 1 | PRODUCT TYPE

AE SALTO AElement electronic lock.

#### 2 | ID TECHNOLOGY

9 Contactless MIFARE DESFire.

B Contactless BLE & MIFARE DESFire.

#### 3 | PRIVACY FUNCTION

0 Without electronic privacy function.

1 With electronic privacy function.

#### 4 | BASE FRAME FINISH

IM	Satin stainless steel (BHMA630 - US32D).
IP	Bright stainless steel (BHMA629 - US32).
IA	Antique brass (BHMA638 - USS).
PM	PVD satin brass type (US4).
PP	PVD bright brass type (US3).
NE	Black chromium.

#### 5 | READER COLOUR

B Black



W

White





---

## 6 | BATTERY PACK COLOUR

---

- W White.
- A Anthracite (RAL 7016).
- C Champagne (like the ESD).
- I Iron blue (like the ESD).



**White**  
(G)



**Anthracite**  
(A)



**Champagne**  
(C)



**Iron blue**  
(I)

---

## 7 | DOOR THICKNESS

---

- 3  $1 \frac{3}{8}'' \leq t < 1 \frac{3}{4}''$ .
- 4  $1 \frac{3}{4}'' \leq t < 2 \frac{1}{8}''$ .
- 5  $2 \frac{1}{8}'' \leq t < 2 \frac{9}{16}''$ .
- 6  $2 \frac{9}{16}'' \leq t < 3''$ .
- 7  $3'' \leq t < 3 \frac{3}{8}''$ .
- 8  $3 \frac{3}{8}'' \leq t < 3 \frac{3}{4}''$ .
- 9  $3 \frac{3}{4}'' \leq t < 4 \frac{1}{8}''$ .
- 0  $4 \frac{1}{8}'' \leq t < 4 \frac{1}{2}''$ .
- 1  $4 \frac{1}{2}'' \leq t < 4 \frac{15}{16}''$ .

---

## 9 | SPLIT SPINDLE

---

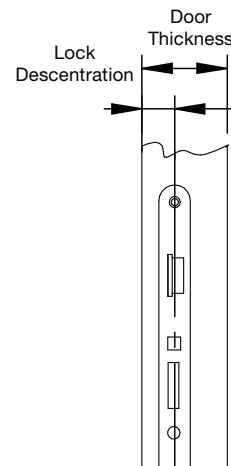
- 8 8mm split spindle ( $\frac{5}{16}''$ ).

---

## 8 | LOCK DESCENTRATION

---

Please refer to the price list for more information about mortise lock vertical descentration.




---

## 10 | WIRELESS

---

- Wireless ready with data-on-card capabilities.
- W Wireless online with data-on-card capabilities.

## AELEMENT BY SALTO | HANDLES

AElement offers a wide choice of functional and stylish handle designs and roses suitable for use on any type of door. Various finish options are available to allow for contemporary or classic styling and to perfectly complement any design and décor.

And to go further in design, AElement can be combined with designer handles like Colombo. Colombo by SALTO is the perfect choice when a distinctive design flair is needed.

### AELEMENT HANDLES

R	1	S	U	R	IM	08	0	-
—	—	—	—	—	—	—	—	—
PRODUCT TYPE	HANDLE STANDARD	HANDLE BRAND	MODEL	ROSE	FINISH	SQUARE SPINDLE	THUMBTURN	HANDING
—	—	—	—	—	—	—	—	—
1	2	3	4	5	6	7	8	9

#### 1 | PRODUCT TYPE

R Door handles on rose.

#### 2 | HANDLE STANDARD

3 ANSI standard.

#### 3 | MANUFACTURER / HANDLE BRAND

S SALTO.

C COLOMBO.

#### 4 | HANDLE MODEL

##### STANDARD Line:

London:



REF. L



IM IP IA PM PP NE

Utrecht:



REF. U



IM IP IA PM PP NE

Washington:



REF. W



IM IP IA PM PP NE

#### 4 | HANDLE MODEL

##### PREMIUM Line:

Kingston:



REF. K

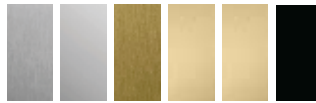


IM CP PP

Jakarta:



REF. J



IM IP IA PM PP NE

Ottawa:



REF. O



IM IP IA PM PP NE

##### LUXURY Line: COLOMBO by SALTO:

Robodue:

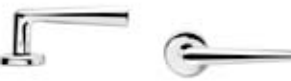


REF. 2



IM CP PP

Robotre:



REF. 3



IM CP PP

Roboquattro:



REF. 4



IM CP PP

Elle:



REF. 5



IM CP PP

#### 5 | ROSE

R Round rose door handle.

#### 7 | SQUARE SPINDLE

08 8mm.

09 9mm (Only EURO / DIN models).

#### 8 | THUMBTURN

0 Without thumbturn.

1 SALTO type thumbturn.

#### 6 | FINISH



IM

IP

CP

**Satin**  
Stainless Steel

**Polished**  
Stainless Steel

**Polished**  
Chromium



IA

PM

PP

NE

**Antique**  
Brass

**Satin**  
Stainless Steel

**Polished**  
Brass PVD

**Black**  
PVD

#### 9 | HANDING

- No handing.

L / R Left hand / right hand.

## AELEMENT BY SALTO | MORTISE LOCK

AElement requires a good, reliable door locking system. SALTO offers a wide range of mortise locks in order to ensure that the door is correctly locked.

LA	1	T	0	7	70	A	2	4	IM	S	-
PRODUCT TYPE	FORMAT	MODEL	DEADBOLT FUNCTION	LATCH FUNCTION	BACKSET	FRONT PLATE SHAPE	FRONT PLATE	DETECTOR	FINISH	SQUARE SPINDLE	HANDING
1	2	3	4	5	6	7	8	9	10	11	12

### 1 | PRODUCT TYPE

LA ANSI mortise lock.

### 3 | MODEL

T For ANSI mortise lock AElement model.

### 5 | LATCH FUNCTION

7 Spindle block mechanism.

### 2 | FORMAT

1 Gr 1 (for ANSI mortise lock).

### 4 | DEADBOLT FUNCTION

0 Without deadbolt.

1 Deadbolt + panic function.

### 6 | BACKSET

70 70 mm (2 ¾").

---

## 7 | FRONT PLATE SHAPE

---

A ANSI (squared).

---

## 9 | DETECTOR

---

4 Handle, privacy, door status and key override detection.

---

## 11 | SQUARE SPINDLE

---

S 8mm split ( $\frac{5}{16}$ ").

---

## 8 | FRONT PLATE

---

2 1- $\frac{1}{4}$ " --> 32 mm (203 mm high).

7 1- $\frac{1}{16}$ " --> 27 mm (194 mm high).

---

## 10 | FINISH

---



IM  
**Satin**  
Stainless Steel



EL  
**Gold**  
Enameled



LP  
**Polished**

---

## 12 | HANDING

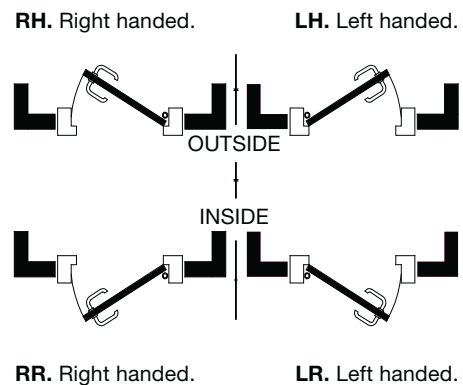
---

LH Left hand.

RH Right hand.

LR Left hand reverse.

RR Right hand reverse.





## XS4 GEO Cylinders

### **XS4 GEO ANSI CYLINDERS**

---

ANSI Mortise Cylinder

---

RIM Cylinder

---

Heavy Duty Deadbolt Cylinder

### **XS4 GEO CYLINDERS FOR SWING HANDLES**

### **XS4 GEO CYLINDERS FOR CAM LOCKS**

### **XS4 GEO ELECTRONIC PADLOCKS**

---

### **REFERENCE GUIDE**

---

Finishes

---

Models

---

Extensive range of wire-free, stand-alone electronic cylinders designed for doors where fitting an electronic escutcheon is not possible or required (e.g. antique doors).

---

## Technical Data

### POWER SOURCE:

- 1 Lithium standard battery CR2.

### NUMBER OF OPENINGS:

- Contactless versions: > 200,000 cycles (EN 15684 class 6).
- Low battery power indication monitored through the SALTO Virtual Network (SVN).

### ENVIRONMENTAL CONDITIONS:

- XS4 GEO Electronic cylinders: -20° / 60° (-4°F / 140°F).

### IP CERTIFICATIONS:

- Outdoor Protection Standard
- IP55\* MODEL (SALTO GEO standard model).
- IP66\* MODEL (SALTO GEO water resistant model [GxxxxR]).

---

## Main Features

- Simple installation by changing the cylinder. No wiring or drilling work required.
- Wide range of models and options.
- SALTO SVN and SALTO Wireless network capable.
- User on card audit trailing capability via the SALTO Virtual Network (SVN).
- All communication between the credential and the electronic cylinder is encrypted and secured.
- Low battery status information is obtained from credentials.
- The batteries can be replaced without cylinder removal.
- Optical signalling through light ring. Dual colour green/red to indicate access authorisation. Acoustic signal optional.
- Equipped with anti-drilling protection.
- Optional torx screw to tighten the knob and convert the cylinder on a fixed knob cylinder.
- White and black reader finishes available.
- Wide range of finishes: satin chrome, polished chrome, polished bright brass type (PVD), satin brass type (PVD), black satin.
- Available with antimicrobial BioCote® coating.
- Suitable for emergency exits.
- Firmware upgrade through PPD.
- Emergency opening via portable programming device (PPD).

\* IP66 refers only to electronic knob. Water entrance through the cam is not protected.

In addition to use on doors, other applications including mail boxes, server racks, cupboards or boxes can be controlled via SALTO SVN access control and protected by GEO electronic camlocks and padlocks against theft or unauthorized use.

---

## Access Control Features

### USERS & DOORS:

- Maximum number of users per door: 4 million.
- Maximum number of doors per system: 65,000.
- Access levels: unlimited.

### CALENDARS & TIME ZONES:

- Calendars in system: 256
- Time zones: 256
- Time periods: 1,024

### EVENTS:

- Maximum events on lock audit: 1,000.
- Non volatile memory (memory is not deleted, even if power fails).

### MANAGEMENT SOFTWARE:

- SALTO ProAccess SPACE.

### ID TECHNOLOGIES:

- Covering the mainstream RFID technologies.
- Compatible with ISO 14443A, ISO 14443B and ISO 15693 (Vicinity).

---

## Lock Modes

### STANDARD:

Locked at all times.

### AUTOMATIC OPENING:

8 pairs of "hands free" timed lock and unlocks per day with holidays.

### TOGGLE:

Present card to lock, present card to unlock.

### TIMED TOGGLE:

Present card to lock, present card to unlock depending on schedules.

---

## Certifications



(1) Depending on the model

# XS4 Geo - Mortise

XS4 GxM | ANSI MORTISE CYLINDER

The XS4 GEO mortise cylinder is specially designed to fit most doors that are equipped with a mortise lock that need a mortise cylinder.



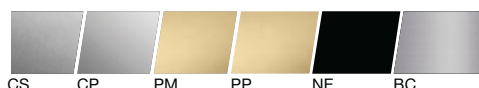
## FEATURES:

- SALTO SVN and SALTO Wireless network capable.
- All communication between the credential and the electronic cylinder is encrypted and secured.
- The batteries can be replaced without cylinder removal.
- Optical signalling through light ring. Dual color LED lights and optional audible signal to indicate access authorisation.
- Equipped with anti-drilling protection.
- Optional torx screw to tighten the knob and convert the cylinder on a fixed knob cylinder.
- Emergency opening via portable programming device (PPD).

## READER COLOUR:



## FINISHES:



CS CP PM PP NE BC

## TECHNICAL CHARACTERISTICS:

- Available from 29mm to 50mm lengths (from 1 1/8" to 2").
- Standard and Adams Rite cams included.
- Compatible with most of market standard cams (Medeco®, Yale®, Marks®, Ilco®)
- Optional ring available for better fitting.
- Tool accessory for an accurate installation.

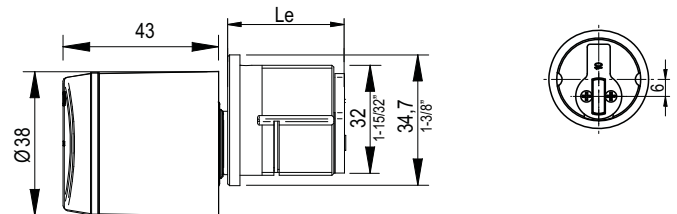
## PLATFORMS:



## ID TECHNOLOGIES :

- MIFARE® (DESFire EV1, Plus, Ultralight C, Classic - ISO/IEC 14443).
- NFC.
- HID iClass®.

## TECHNICAL DRAWING:



## CERTIFICATIONS:



<sup>(1)</sup> Depending on the model



# XS4 Geo - RIM US

## XS4 GxB | RIM ANSI CYLINDER

The XS4 GEO RIM US cylinder is specially designed to fit most doors that are equipped with surface mounted lock cases, panic bars and top guards that need a RIM cylinder.



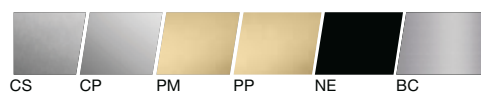
### FEATURES:

- SALTO SVN and SALTO Wireless network capable.
- All communication between the credential and the electronic cylinder is encrypted and secured.
- The batteries can be replaced without cylinder removal.
- Optical signalling through light ring. Dual color LED lights and optional audible signal to indicate access authorisation..
- Equipped with anti-drilling protection.
- Optional torx screw to tighten the knob and convert the cylinder on a fixed knob cylinder.
- Emergency opening via portable programming device (PPD).

### READER COLOUR:



### FINISHES:



### TECHNICAL CHARACTERISTICS:

- External cylinder, one knob.
- No thumbturn.
- Ring, backplate and screws included.
- GxB2 version for Schlage B-Series deadbolt.

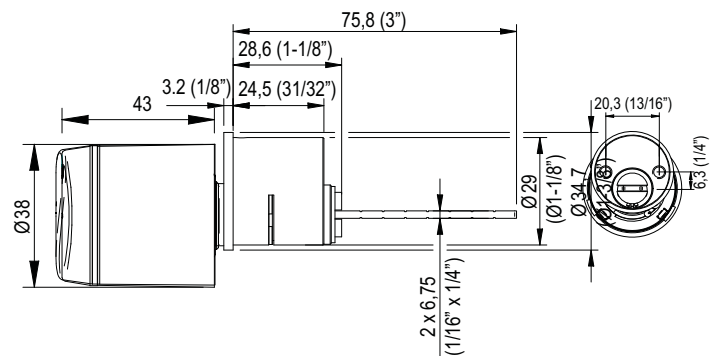
### PLATFORMS:



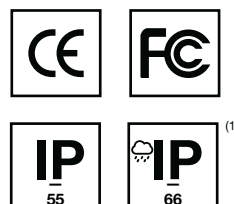
### ID TECHNOLOGIES :

- MIFARE® (DESFire EV1, Plus, Ultralight C, Classic - ISO/IEC 14443).
- NFC.
- HID iClass®.

### TECHNICAL DRAWING:



### CERTIFICATIONS:



<sup>(1)</sup> Depending on the model

# XS4 Geo - Deadbolt

## XS4 GxB | DEADBOLT CYLINDER

The XS4 GEO Deabolt cylinder model is a specially designed, heavy duty deadbolt cylinder that meets A156.36 grade 1 requirements, and also has a trim ring with protective sleeves that protect and prevent the lock from being attacked through the door. The trim ring also protects the lock from attacks coming vertically. It is designed to provide high levels of security and fit all standard doors in ANSI markets.



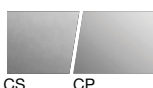
### FEATURES:

- SALTO SVN and SALTO Wireless network capable.
- All communication between the credential and the electronic cylinder is encrypted and secured.
- The batteries can be replaced without cylinder removal.
- Optical signalling through light ring. Dual color LED lights and optional audible signal to indicate access authorisation.
- Equipped with anti-drilling protection.
- Optional torx screw to tighten the knob and convert the cylinder on a fixed knob cylinder.
- Emergency opening via portable programming device (PPD).

### READER COLOUR:



### FINISHES:



CS CP

### TECHNICAL CHARACTERISTICS:

- Available from 35mm - 51mm up to 64mm in thickness.
- Trim ring with protective sleeve protects the lock from attack through the door.
- Trim ring protects lock from vertical attacks.
- Square corner strike 1-1/8" x 2-1/4" (29mm x 70mm) with dustbox.
- Heavy duty steel support plate with 3" wood screws to strengthen the wood jamb.
- Reinforced turn knob assembly.
- Available with three different functions:
  - Single cylinder.
  - Classroom style.
  - Double cylinder for both inside and outside opening with the smart credential.

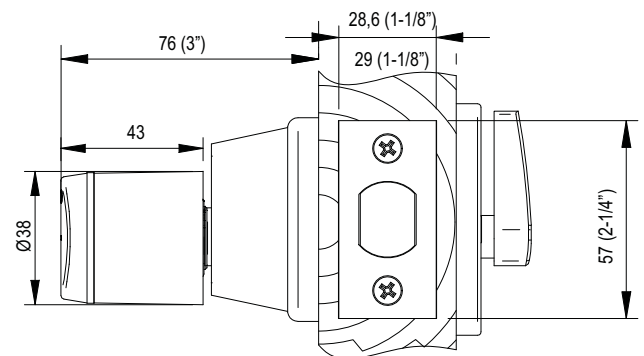
### PLATFORMS:



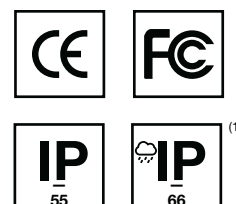
### ID TECHNOLOGIES :

- MIFARE® (DESFire EV1, Plus, Ultralight C, Classic - ISO/IEC 14443).
- NFC.
- HID iClass®.

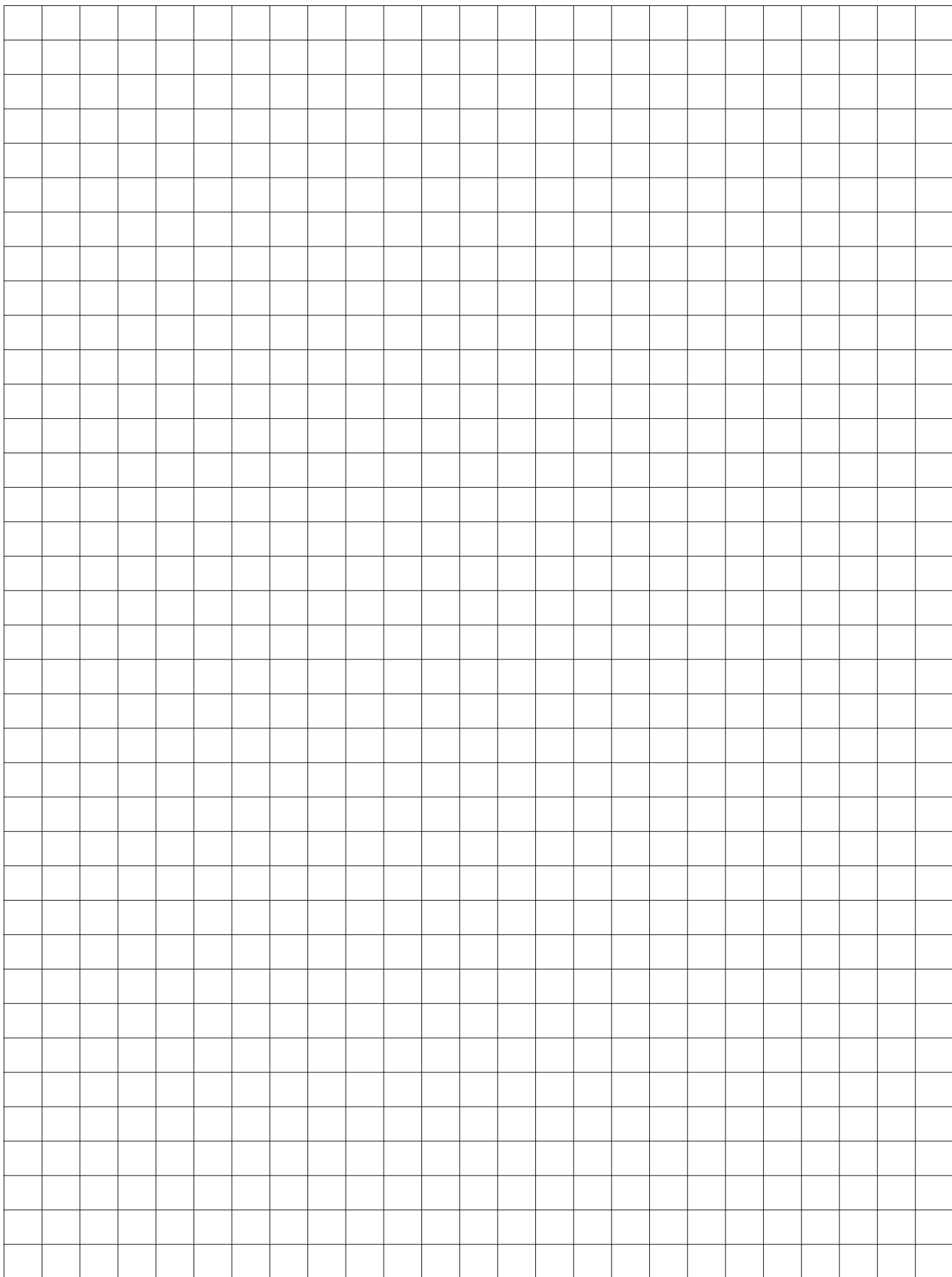
### TECHNICAL DRAWING:



### CERTIFICATIONS:



<sup>(1)</sup> Depending on the model



# XS4 Geo - Swing Handle

XS4 GxE | SWING HANDLE

The XS4 GEO half cylinder is specially designed to fit most swing handle server racks. Ideal for use on applications where control of the operation of the rack is needed, enhancing the control and security of access to the server racks.



## TECHNICAL CHARACTERISTICS:

- Available for distances from 40mm up to 45mm (1 37/64" to 1 49/64").
- Optional, with knob extension of 5mm (13/64") or 10mm (25/64") for swing handles with sliding cover.
- Special auto locking cam.
- Compatible with most of market standard racks swing handle (Dirak®, Emka® and others).

## PLATFORMS:



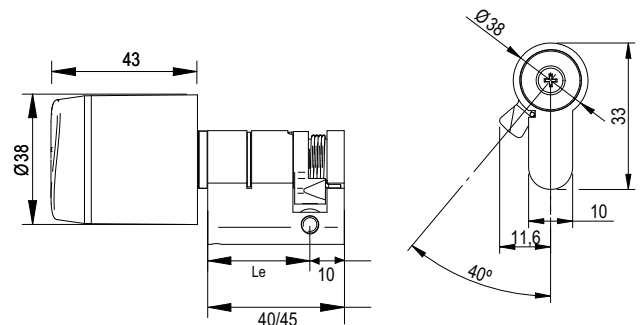
## ID TECHNOLOGIES :

- MIFARE® (DESFire EV1, Plus, Ultralight C, Classic - ISO/IEC 14443).
- NFC.
- HID iClass®.

## FEATURES:

- SALTO SVN and SALTO Wireless network capable.
- All communication between the credential and the electronic cylinder is encrypted and secured.
- The batteries can be replaced without cylinder removal.
- Optical signalling through light ring. Dual color LED lights and optional audible signal to indicate access authorisation.
- Equipped with anti-drilling protection.
- Optional torx screw to tighten the knob and convert the cylinder on a fixed knob cylinder.
- Emergency opening via portable programming device (PPD).

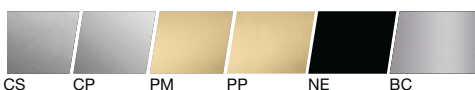
## TECHNICAL DRAWING:



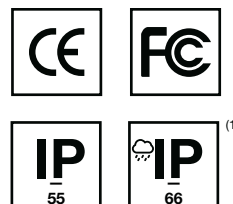
## READER COLOUR:



## FINISHES:



## CERTIFICATIONS:



(1) Depending on the model

# XS4 Geo - Cam Lock

## XS4 GxU | CAM LOCK CYLINDER

The XS4 GEO Cam Lock electronic cylinder is specially designed to fit most cabinets equipped with a cam locking mechanism. The cam itself acts as a locking bolt and is directly operated when the card is presented by the user and turns the knob. The cam rotates between 180 and 90 degrees, securing the lock. This patented system provides an extra level of protection from intrusions with a high security blocking mechanism that is exclusive to SALTO.



### FEATURES:

- SALTO SVN and SALTO Wireless network capable.
- All communication between the credential and the electronic cylinder is encrypted and secured.
- The batteries can be replaced without cylinder removal.
- Optical signalling through light ring. Dual color LED lights and optional audible signal to indicate access authorisation.
- Equipped with anti-drilling protection.
- Optional torx screw to tighten the knob and convert the cylinder on a fixed knob cylinder.
- Emergency opening via portable programming device (PPD).

### READER COLOUR:



### FINISHES:



CS CP PM PP NE BC

### TECHNICAL CHARACTERISTICS:

- Available from 1mm ( $\frac{3}{64}$ "') to 22mm ( $\frac{55}{64}$ "') door thickness.
- Easy installation on steel lockers or wooden doors.
- Different cam lengths: 28mm ( $1\frac{7}{64}$ "') or 40mm ( $1\text{-}\frac{37}{64}$ "') included.
- 19mm Body diameter ( $\frac{3}{4}$ "').
- Security collar included for an accurate installation.

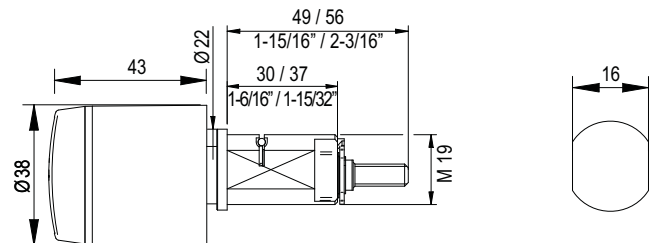
### PLATFORMS:



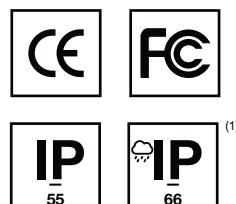
### ID TECHNOLOGIES :

- MIFARE® (DESFire EV1, Plus, Ultralight C, Classic - ISO/IEC 14443).
- NFC.
- HID iClass®.

### TECHNICAL DRAWING:



### CERTIFICATIONS:



(1) Depending on the model

# XS4 Geo - Padlocks

## XS4 GxP | PADLOCKS

The XS4 GEO Electronic Padlock is a versatile locking solution that enables users to benefit from the advantages of electronic access control where previously it was only possible to use a mechanical locking solution (i.e., perimeter or fire access gates, industrial equipment yards and residential storage areas).



### FEATURES:

- SALTO SVN and SALTO Wireless network capable.
- All communication between the credential and the electronic cylinder is encrypted and secured.
- The batteries can be replaced without cylinder removal.
- Optical signalling through light ring. Dual color LED lights and optional audible signal to indicate access authorisation.
- Equipped with anti-drilling protection.
- Optional torx screw to tighten the knob and convert the cylinder on a fixed knob cylinder.
- Suitable for medium to high security applications.
- Emergency opening via portable programming device (PPD).

### READER COLOUR:



### FINISHES:



CP

### TECHNICAL CHARACTERISTICS:

- Polished chromium finish padlock.
- Shackle made of stainless steel.
- Optional shackle lengths: 30mm, 60mm or 90mm (1- $\frac{3}{16}$ "', 2- $\frac{3}{8}$ "' or 3- $\frac{9}{16}$ "').
- Shackle diameter: 8mm ( $\frac{5}{16}$ "') (Only for 48mm body).
- Shackle diameter: 9,5mm ( $\frac{3}{8}$ "') (Only for 58mm body).
- Available only in polished chrome finish.

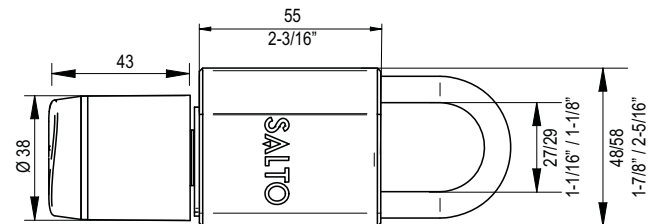
### PLATFORMS:



### ID TECHNOLOGIES :

- MIFARE® (DESFire EV1, Plus, Ultralight C, Classic - ISO/IEC 14443).
- NFC.
- HID iClass®.

### TECHNICAL DRAWING:



### CERTIFICATIONS:

#### IP rating:

- For outside use: IP66 water resistant model.

# Accessories

## XS4 GEO GRIPS | A (ADA) MODEL

XS4 GEO cylinder grips have been designed to improve the operation of XS4 GEO electronic cylinders for people with disabilities. The SALTO XS4 GEO electronic cylinder grips provide an additional surface, thereby making the knob easier to operate.



---

### FINISHES:



---

### FEATURES:

- ADA compliant.
  - Coated with BioCote® antimicrobial technology.
- 

## XS4 GEO GRIPS | H MODEL

XS4 GEO cylinder grips have been designed to improve the ease of operation of XS4 GEO electronic cylinders. Suitable for use with gloves, the SALTO XS4 GEO electronic cylinder grips provide an additional surface, thereby making the knob easier to turn.



---

### FINISHES:



---

### FEATURES:

- Coated with BioCote® antimicrobial technology.

# Reference guide information

## XS4 GEO | ELECTRONIC CYLINDER

All XS4 GEO electronic lock cylinders are fully integrated with the SALTO XS4 platform. Their compact size and versatility makes them an ideal solution for adding access control to almost any door type, where fitting a conventional electronic lock set is not possible.

G	9	M1	1	29	N	00	CSB	N	W	R
—	—	—	—	—	—	—	—	—	—	—
PRODUCT TYPE	ID TECHNOLOGY	MODEL	KNOB TYPE	EXTERIOR LENTGH	THUMBTURN	INTERIOR LENTGH	FINISHES	CAM	WIRELESS TECHNOLOGY	WATER RESISTANCE
1	2	3	4	5	6	7	8	9	10	11

### 1 | PRODUCT TYPE

G SALTO GEO electronic cylinder.

### 2 | ID TECHNOLOGY

9 Contactless MIFARE-DESFire®

H Contactless HID iClass®.

### 3 | MODEL

M1 Mortise profile cylinder.

E9 Electronic cylinder for swing handles.

B1-B2 US profile RIM cylinder.

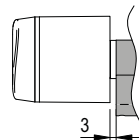
CL Cam lock cylinder.

B3 Heavy duty deadbolt.

P2 Electronic Padlock.

### 4 | KNOB TYPE

1 Removable knob.





**5 - 7 | EXTERIOR AND INTERIOR LENGTH**

00	Not applicable.	29	29mm.
32	32mm	35	35mm.
38	38mm.	41	41mm.
44	44mm.	50	50mm.

**6 | THUMBTURN**

N No thumbturn.

**8 | FINISHES**

The XS4 GEO electronic cylinder is available in a choice of six different finishes (BioCote® Coating technology available), with proximity readers available in black or white, to perfectly complement any décor and design.

**CSB:** Satin chrome black reader  
**CSW:** Satin chrome white reader



**CPB:** Polished chrome black reader  
**CPW:** Polished chrome white reader

**PPB:** Polished bright brass type (PVD) black reader  
**PPW:** Polished bright brass type (PVD) white reader



**PMB:** Satin brass type (PVD) black reader  
**PMW:** Satin brass type (PVD) white reader

**NEB:** Satin black chromium black reader  
**NEW:** Satin black chromium white reader



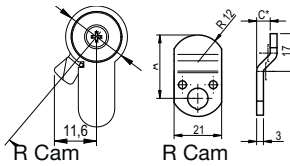
**BCB:** BioCote satin chromium black reader  
**BCW:** BioCote satin chromium white reader

---

## 9 | CAM

---

- N Not applicable.
- R Swing handle cam.
- A Cam lock cam (standard "C" range).



---

## 10 | WIRELESS TECHNOLOGY

---

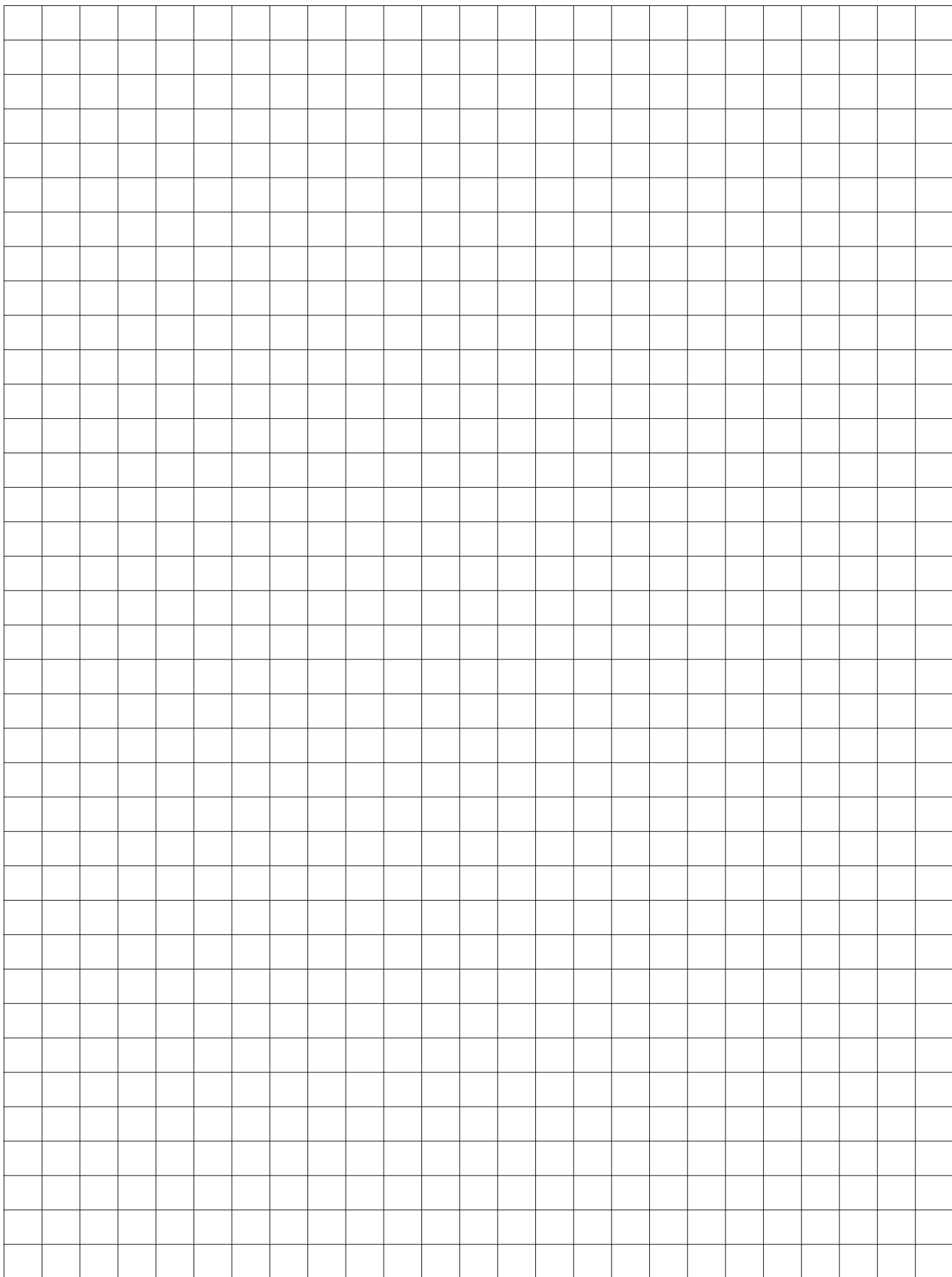
- |   |                               |   |                                    |
|---|-------------------------------|---|------------------------------------|
| - | Offline data-on-card capable. | S | SALLIS Wireless online technology. |
| W | Wireless online.              | Y | SALTO KS by SALTO technology.      |

---

## 11 | WATER RESISTANCE

---

- Standard (IP55 - knob only).
- R Increased water resistance (IP66 - knob only).





## XS4 Wall Readers

### **XS4 WALL READER 2.0**

European Wall Reader 2.0

European Wall Reader 2.0 with Keypad

ANSI Wall Reader 2.0

ANSI Wall Reader 2.0 with Keypad

### **XS4 MODULAR WALL READERS**

Modular Wall Reader 2.0

Modular Wall Reader

Modular Wall Reader Pedestal

Original Narrow Profile Wall Reader

### **XS4 EUROPEAN WALL READER ACCESSORIES**

Modular Keypad

Modular Antivandalic Frame

Modular Wall Reader Base

SALTO offers a wide range of wall readers to fit most every application. When combined with a SALTO Door Controller, the XS4 Wall Reader becomes the access point for openings with unique requirements such as electronic gates, elevators, sliding doors, etc.

---

## Main Features

- Modern aesthetic design with clear LED signaling.
- Fully integrated with the SALTO XS4 platform.
- Virtual network capable through SALTO Virtual Network dat-on-card technology.
- ID technologies available\*: DESfire, DESfire EV1, Mifare, Mifare plus, Mifare Ultralight C and Bluetooth Low Energy.
- NFC compatible.
- All communications between the credential and the wall reader are encrypted and secure.<sup>2</sup>
- Acoustic and optical signalling, dual colour green/red to indicate access authorisation.
- Blue coloured LED to indicate credential updating.
- Available in different finishes.
- Concealed fixing screw for greater security and improved aesthetics.
- For external use and protection against vandalism; can be used with the WRMFWAV frame and flush mounting base.<sup>3</sup>
- Connection to the door controller using AWG24 twisted pair or AWG18 cable connection.
- Compatible with standard electrical back boxes for easy fitting.\*
- Can be used for integration with other systems through the addition of the Wall Reader Adaptor or Control Unit Adaptor.
- Emergency opening by means of contactless portable programming device (PPD).

---

## Technical Data

### CURRENT REQUIRED:

- 5V supplied by the door controller.

### CONNECTION WITH THE DOOR CONTROLLER:

- Using AWG24 twisted pair or AWG18 cable connection.

### MAXIMUM DISTANCE BETWEEN THE DOOR CONTROLLER AND THE WALL READER:

- 400 meters<sup>4</sup> using a twisted pair cable (1,300 ft).

### ENVIRONMENTAL CONDITIONS:

- -20° / 60° (-4°F / 140°F)

The wall readers read encrypted data contained on the credential and communicate it to the door controller. They also allow for updating of the credential via SALTO Virtual Network (SVN) technology, making it possible to cancel lost or stolen cards remotely.

---

## Access Control Features

### USERS & DOORS:

- Maximum number of users per door: 4 million.
- Maximum number of doors per system: 65,000.
- Access levels: unlimited.

### CALENDARS & TIME ZONES:

- Calendars in system: 256
- Time zones: 256
- Time periods: 1,024

### EVENTS:

- Maximum events on controller: 5,000.
- Non volatile memory (memory is not deleted, even if power fails).

### MANAGEMENT SOFTWARE:

- SALTO ProAccess SPACE.

### ID TECHNOLOGIES:

- Covering the mainstream RFID contactless technologies.
- Compatible with ISO 14443A, ISO 14443B and ISO 15693 (Vicinity).

---

<sup>1</sup> Depending on the model

<sup>2</sup> Depending on the credential

<sup>3</sup> For Modular Wall Reader range only

<sup>4</sup> Depending on the cable

# XS4 Wall Reader 2.0

XS4 WRDB0E | EUROPEAN WALL READER 2.0

The SALTO XS4 Wall Reader 2.0 incorporates the cutting-edge design standard of the XS4 2.0 product range in this technological powerhouse. In combination with the SALTO XS4 2.0 Controller, it facilitates the integration of the wall reader with almost any SALTO interface such as SALTO ProAccess SPACE, to provide your facility with a complete security solution.



## FEATURES:

- Modern aesthetic design with green/red and blue clear LED colour optical signal.
- Conical or flat square shape with rounded corners.
- Compatible with standard European electric boxes.
- Fully integrated with the SALTO XS4 platform.
- Virtual network capable through SALTO SVN data-on-card technology.
- Acoustic and optical signalling, dual colour green/red to indicate access authorisation.
- Blue light indicates that the user key update is in progress through SALTO Virtual Network technology.
- Available for surface mounting.
- Concealed fixing screws for greater security and improved aesthetics.

## READER COLOUR:



## TECHNICAL CHARACTERISTICS:

- Specially designed to fit European standard electric boxes, making the installation quick and easy.
- To be used in combination with XS4 2.0 controllers (CU42xxx) or SALTO KS controllers (CU41xxx).
- Connection to the door controller: 4 wires.
- Designed to work with either on-line or off-line SALTO Door Controllers. Off-line systems communicate via SVN.
- Maximum distance between the door controller and the wall reader 400 m<sup>1</sup> (1,300 ft) using a twisted pair cable.
- Includes tamper to monitor if the wall reader has been opened.
- Reading distance from 35 to 50mm depending on the RFID technology (1 3/8" to 1 31/32").

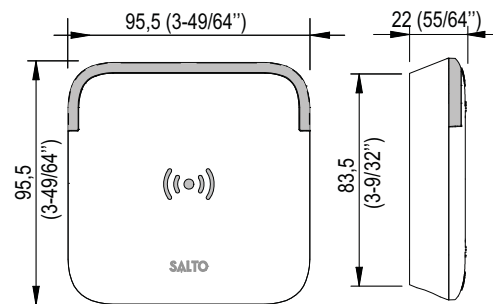
## PLATFORMS:



## ID TECHNOLOGIES :

- MIFARE® (DESFire EV1, Plus, Ultralight C, Classic - ISO/IEC 14443).
- Bluetooth SMART (BLE).
- NFC.

## TECHNICAL DRAWING:



## CERTIFICATIONS:



<sup>1</sup> Depending on the cable

# XS4 Wall Reader 2.0

XS4 WRDBE\_K | EUROPEAN WR 2.0 WITH KEYPAD

The SALTO XS4 Wall Reader 2.0 with keypad incorporates the cutting-edge design standard of the XS4 2.0 product range in this technological powerhouse. This product allows for the additional use of a Personal Identification Number (PIN) keypad option, increasing the security by using a double authentication and more enhanced opening modes.



## FEATURES:

- Modern aesthetic design with green/red and blue clear LED colour optical signal.
- Conical or flat square shape with rounded corners.
- Compatible with standard European electric boxes.
- Fully integrated with the SALTO XS4 platform.
- Virtual network capable through SALTO SVN data-on-card technology.
- Permits additional opening modes and user authentication through a user PIN.
- Keys are illuminated for better visibility (intelligent lighting).
- Acoustic and optical signalling, dual colour green/red to indicate access authorisation.
- Blue light indicates that the user key update is in progress through SALTO Virtual Network technology.
- Available for surface mounting.
- Concealed fixing screws for greater security and improved aesthetics.

## OPENING MODES:

- Opening through key card.
- Opening through key card plus personal PIN.
- Opening through door code.

## READER COLOUR:



## TECHNICAL CHARACTERISTICS:

- Specially designed to fit European standard electric boxes, making the installation quick and easy.
- To be used in combination with XS4 2.0 controllers (CU42xxx)
- Connection to the door controller: 4 wires.
- Designed to work with an online SVN access control platform, or with a stand-alone system.
- Maximum distance between the door controller and the wall reader 400m<sup>1</sup> (1,300 ft) using a twisted pair cable.
- Includes tamper to monitor if the wall reader has been opened.
- Reading distance from 35 to 50mm depending on the RFID technology (1 3/8 to 1 37/64).

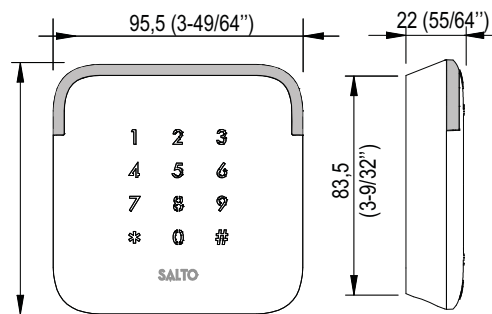
## PLATFORMS:



## ID TECHNOLOGIES :

- MIFARE® (DESFire EV1, Plus, Ultralight C, Classic - ISO/IEC 14443).
- Bluetooth SMART (BLE).
- NFC.

## TECHNICAL DRAWING:



## CERTIFICATIONS:



<sup>1</sup> Depending on the cable

# XS4 Wall Reader 2.0

XS4 WRDB0A | ANSI WALL READER 2.0

The SALTO XS4 Wall Reader 2.0 incorporates the cutting-edge design standard of the XS4 2.0 product range in this technological powerhouse. The SALTO XS4 Wall Reader 2.0 in combination with the SALTO XS4 2.0 Controller facilitates the integration of the wall reader with almost any SALTO interface, such as SALTO ProAccess SPACE to provide your facility with a complete security solution.

This wall reader has been specially designed to fit ANSI standard electric boxes to make the installation easier.



## FEATURES:

- Modern aesthetic design with green/red and blue clear LED colour optical signal.
- Rectangular shape with rounded corners.
- Compatible with standard ANSI electric boxes.
- Fully integrated with the SALTO XS4 platform.
- Virtual network capable through SALTO SVN data-on-card technology.
- Acoustic and optical signalling, dual colour green/red to indicate access authorisation.
- Blue light indicates that the user key update is in progress through SALTO Virtual Network technology.
- Available for surface mounting.
- Concealed fixing screws for greater security and improved aesthetics.

## READER COLOUR:



## TECHNICAL CHARACTERISTICS:

- To be used in combination with XS4 2.0 controllers (CU42xxx) or SALTO KS controllers (CU41xxx).
- Connection to the door controller: 4 wires.
- Designed to work with an online SVN access control platform, or with a stand-alone system.
- Maximum distance between the door controller and the wall reader 400m<sup>1</sup> (1,300 ft) using a twisted pair cable.
- Includes tamper to monitor if the wall reader has been opened.
- Reading distance from 35 to 50mm depending on the RFID technology (1 3/8" to 1 31/32").

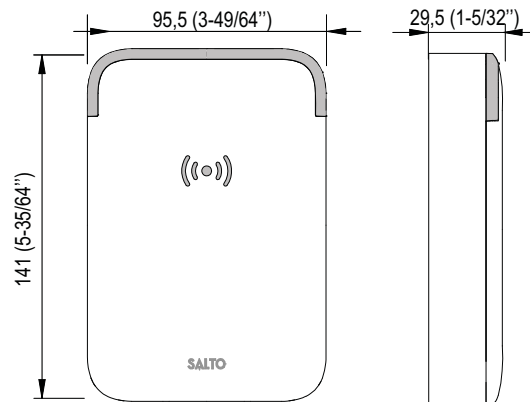
## PLATFORMS:



## ID TECHNOLOGIES :

- MIFARE® (DESFire EV1, Plus, Ultralight C, Classic - ISO/IEC 14443).
- Bluetooth SMART (BLE).
- NFC.

## TECHNICAL DRAWING:



## CERTIFICATIONS:



<sup>1</sup> Depending on the cable



# XS4 Wall Reader 2.0

XS4 WRDB0A\_K | ANSI WR 2.0 WITH KEYPAD

The SALTO XS4 Wall Reader 2.0 with keypad incorporates the cutting-edge design standard of the XS4 2.0 product range in this technological powerhouse. This product allows for the additional use of a Personal Identification Number (PIN) keypad option, increasing the security by using a double authentication and more enhanced opening modes.

This wall reader has been specially designed to fit ANSI standard electric boxes to make the installation easier.



## FEATURES:

- Modern aesthetic design with green/red and blue clear LED colour optical signal.
- Rectangular shape with rounded corners.
- Compatible with standard ANSI electric boxes.
- Fully integrated with the SALTO XS4 platform.
- Virtual network capable through SALTO SVN data-on-card technology.
- Permits additional opening modes and user authentication through a user PIN.
- Keys are illuminated for better visibility (intelligent lighting).
- Acoustic and optical signalling, dual colour green/red to indicate access authorisation.
- Blue light indicates that the user key update is in progress through SALTO Virtual Network technology.
- Available for surface mounting.
- Concealed fixing screws for greater security and improved aesthetics.

## OPENING MODES:

- Opening through key card.
- Opening through key card plus personal PIN.
- Opening through door code.

## READER COLOUR:



## TECHNICAL CHARACTERISTICS:

- To be used in combination with XS4 2.0 controllers (CU42xxx)
- Connection to the door controller: 4 wires.
- Designed to work with an online SVN access control platform, or with a stand-alone system.
- Maximum distance between the door controller and the wall reader 400m<sup>1</sup> (1,300 ft) using a twisted pair cable.
- Includes tamper to monitor if the wall reader has been opened.
- Reading distance from 35 to 50mm depending on the RFID technology (1 3/8" to 1 31/32").

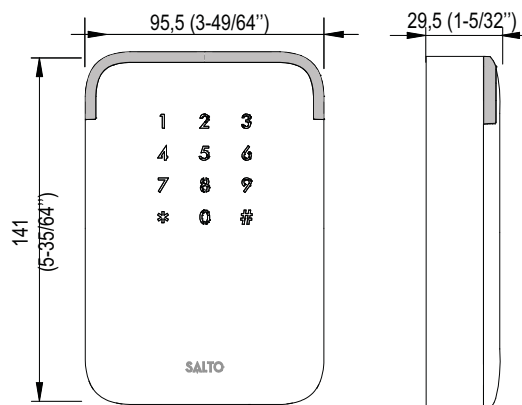
## PLATFORMS:



## ID TECHNOLOGIES :

- MIFARE® (DESFire EV1, Plus, Ultralight C, Classic - ISO/IEC 14443).
- Bluetooth SMART (BLE).
- NFC.

## TECHNICAL DRAWING:



## CERTIFICATIONS:



<sup>1</sup> Depending on the cable

# XS4 Modular WR 2.0

XS4 WRMB0E | MODULAR WALL READER 2.0

The SALTO XS4 Modular Wall Reader 2.0, in combination with the SALTO XS4 2.0 Controller, facilitates the integration of the wall reader with almost any SALTO interface, such as SALTO ProAccess SPACE to provide your facility with a complete security solution for any kind of installations, even from adverse and harsh environments thanks to the ability to install it in combination with the antivandalic frame.



## FEATURES:

- Robust square reader design with green/red and blue LED signal.
- Compatible with standard European electric boxes using the standard bases.
- Fully integrated with the SALTO XS4 platform.
- Virtual network capable through SALTO Virtual Network technology.
- Acoustic and optical signalling, dual colour green/red to indicate access authorisation.
- Blue light indicates that the user key update is in progress through SALTO Virtual Network technology.
- For flush or surface mounting depending on the base (base sold separately).
- Concealed fixing screw for greater security and improved aesthetics.

## READER COLOUR:



## TECHNICAL CHARACTERISTICS:

- To be used in combination with XS4 2.0 controllers.
- Connection to the door controller: 4 wires.
- Designed to work with an online SVN access control platform, or with a stand-alone system.
- Maximum distance between the door controller and the wall reader 400m<sup>1</sup> (1,300 ft) using a twisted pair cable.
- Includes tamper to monitor if the wall reader has been opened.
- Reading distance from 35 to 50mm depending on the RFID technology (1 3/8" to 1 31/32").

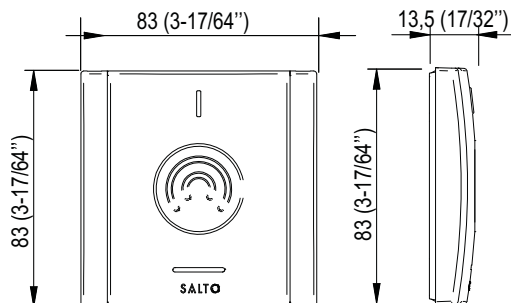
## PLATFORMS:



## ID TECHNOLOGIES :

- MIFARE® (DESFire EV1, Plus, Ultralight C, Classic - ISO/IEC 14443).
- Bluetooth SMART (BLE).
- NFC.

## TECHNICAL DRAWING:



## CERTIFICATIONS:



<sup>1</sup> Depending on the cable

# XS4 Modular WR

XS4 WRMX | MODULAR WALL READER

The XS4 Original Modular wall reader offers a broad range of 13,56Mhz RFID cards of the mainstream contactless smart key card application technologies on the market. It reads encrypted data from the credentials and then communicates it to the door controllers.



## FEATURES:

- Robust square reader design with green/red and blue LED signal.
- Compatible with standard European electric boxes using the standard bases.
- Fully integrated with the SALTO XS4 platform.
- Virtual network capable through SALTO Virtual Network technology.
- Acoustic and optical signalling, dual colour green/red to indicate access authorisation.
- Available in silver finish.
- For flush or surface mounting depending on the base (base sold separately).
- Concealed fixing screw for greater security and improved aesthetics.
- Optional keypad features in combination with WRMKP.
- For an enhanced robustness it can be combined with the antivandalic frame WRMFVAW.

## READER COLOUR:



## TECHNICAL CHARACTERISTICS:

- To be used in combination with XS4 Original controllers (CU50xx).
- Connection to the door controller: 5 wires.
- Designed to work with an online SVN access control platform, or with a stand-alone system.
- Maximum distance between the door controller and the wall reader 100m<sup>1</sup> (330 ft) using a twisted pair cable.
- Reading distance from 35 to 50mm depending on the RFID technology (1 3/8" to 1 31/32").

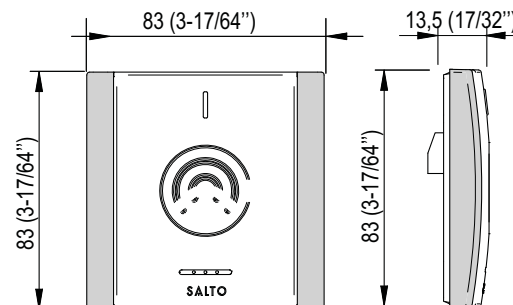
## PLATFORMS:



## ID TECHNOLOGIES :

- MIFARE® (DESFire EV1, Plus, Ultralight C, Classic - ISO/IEC 14443).
- NFC.
- HID iClass®.

## TECHNICAL DRAWING:



## CERTIFICATIONS:



<sup>1</sup> Depending on the cable

# XS4 Original WR

XS4 WRXXFS | ORIGINAL WALL READER NARROW

The XS4 Original slim wall reader for flush mounting has been specially designed to fit elevators, sliding doors or electronic gate doors that have a narrow profile frame, and where there is insufficient space to install a standard wall reader.

It offers a broad range of 13,56Mhz RFID contactless smart cards for mainstream RFID technologies. All communication between the credential and the wall reader is encrypted and secured to communicate to the CU5000 door controllers range. They also allow for updating of the credentials via SALTO Virtual Network data-on-card technology.



## FEATURES:

- Compact slim reader module design reader with green/red LED signal.
- Easy to install, designed for surface mounting in both indoor and outdoor non-protected environment use.
- Fully integrated with the SALTO XS4 platform.
- Virtual network capable through SALTO Virtual Network technology.
- Acoustic and optical signalling, dual colour green/red to indicate access authorisation.

## READER COLOUR:



## TECHNICAL CHARACTERISTICS:

- To be used in combination with XS4 Original controllers (CU50xx).
- Designed to work with an online SVN access control platform, or with a stand-alone system.
- Connection to the door controller: 5 wires.
- Maximum distance between the door controller and the wall reader 100m<sup>1</sup> (330 ft) using a twisted pair cable.
- Reading distance from 35 to 50mm depending on the RFID technology (1 3/8" to 1 31/32").

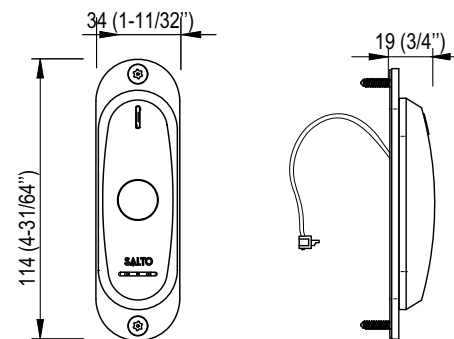
## PLATFORMS:



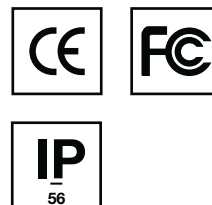
## ID TECHNOLOGIES :

- MIFARE® (DESFire EV1, Plus, Ultralight C, Classic - ISO/IEC 14443).
- NFC.
- HID iClass®.

## TECHNICAL DRAWING:



## CERTIFICATIONS:



<sup>1</sup> Depending on the cable

# XS4 WR Pedestal

XS4 WRMPX | WALL READER PEDESTAL

A parking or gate pedestal designed for the XS4 Modular Wall Reader range is a product developed to allow for the installation of readers and controllers in places where they cannot normally be fitted, such as on door frames, automatic barriers or electrical gates. Suitable for indoor and outdoor use; it can be combined with any model of XS4 Original wall reader and 5000 door controller series.

Made of AISI316L bright polished stainless steel and DDA compliant, the Modular Wall Reader Pedestal is suitable for use in a wide range of environments including hospitals, airports, universities, schools, etc.



## FEATURES:

- Aesthetically pleasing, architecturally designed, functional, high quality, strong and durable.
- ADA compliance optional.
- Fully integrated with the SALTO XS4 platform and SALTO Virtual Network capable in combination with XS4 door controller.
- Acoustic and optical signalling, dual colour green/red to indicate access authorisation.
- Optional with keypad features in combination with WRMKP.
- Can be combined with the antivandalic frame WRMFWAV for enhanced robustness.
- Special base cut out for easier installation and pedestal door panel for easy maintenance (base plate, side walls, reader panel).
- Single height reader pedestal suits general access control requirements and is suitable for many different applications.
- Concealed fixing screw for greater security and improved aesthetics.

## PEDESTAL FINISH:



## TECHNICAL CHARACTERISTICS:

- Made of AISI 316L bright polished stainless steel.
- To be used in combination with XS4 Original controllers (CU50xx).
- Connection to the door controller: 5 wires.
- Designed to work with an online SVN access control platform, or with a stand-alone system.
- Maximum distance between the door controller and the wall reader 100m<sup>1</sup> (330 ft) using a twisted pair cable.
- Reading distance from 35 to 50mm depending on the RFID technology (1 3/8" to 1 31/32").

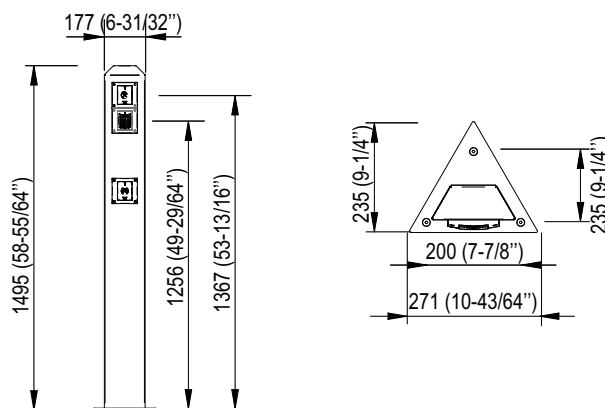
## PLATFORMS:



## ID TECHNOLOGIES :

- MIFARE® (DESFire EV1, Plus, Ultralight C, Classic - ISO/IEC 14443).
- NFC.
- HID iClass®.

## TECHNICAL DRAWING:



<sup>1</sup> Depending on the cable

# Wall Reader Accessories

## XS4 WRMFH | ANTIVANDALIC FRAME FOR MODULAR WALL READER

This accessory has been designed to protect the WRM wall reader from adverse and harsh environments.



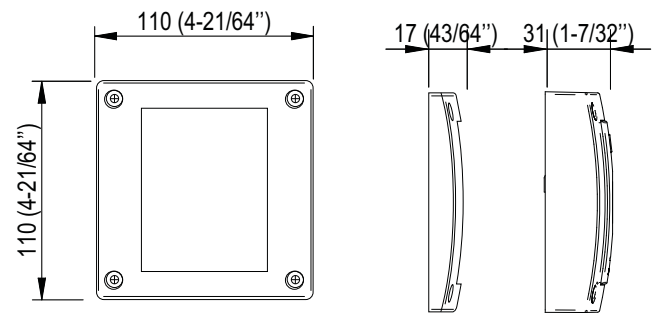
### FEATURES:

- Robust, aesthetic design.
- Fastened with torx 10 anti tamper screws.
- Includes a special mounting base with a rubber gasket for outdoor use.
- Available in satin chrome finish.
- For surface mounting WRMFHAV.
- For flush mounting WRMFVAV.

### TECHNICAL CHARACTERISTICS:

- Made of die cast zinc alloy with satin chrome finishing.
- To be used in combination with XS4 Original Modular wall reader (WRMxxx) and Modular wall reader XS4 2.0 (WRMBxxx).

### TECHNICAL DRAWING:



## XS4 WRMKP | KEYPAD MODULAR WALL READER

Compatible with SALTO modular wall readers, the WRMKP keypad allows for the additional use of a Personal Identification Number (PIN) keypad option. It should be mounted on one of the SALTO WRM double mount bases.



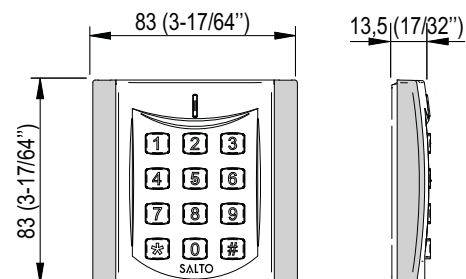
### FEATURES:

- PIN code authentication needed with ID credential to gain access and obtain card update.
- Door code only option for non-key holders.
- PIN needed for SVN key update.
- Timed PIN option for ID credentials only operation and ID credential plus PIN use.

### TECHNICAL CHARACTERISTICS:

- To be used in combination with XS4 Original Modular wall readers (WRMxxx).
- Body made of die cast zinc alloy with satin chrome finish.
- Keys made of AISI 316L stainless steel.
- Connection to the wall reader with a built in cable.
- Current required 5V supplied by the Modular Wall Reader.

### TECHNICAL DRAWING:



# Wall Reader Accessories

## XS4 WRMB | MODULAR WALL READER BASES

SALTO offers several base options to fit modular wall readers. Depending on your needs, you can choose a single or double base to fit a wall reader and a keypad.

Both bases include an internal gasket to prevent water ingress and have several fixing points to allow for adjustment during installation.

---

### FEATURES:

- Compatible with standard European electric boxes using the standard bases.
- Available in different finishes depending on the WRM.
- For surface mounting WRMFHAV.
- For flush mounting WRMFWAV.

---

### MODELS:

- Single and double bases for flush mounting



WRMBL1



WRMBL2

- Single and double bases for surface mounting



WRMBH1



WRMBH2

---

### BASE COLOUR:





# Vehicle Access

**LONG DISTANCE READER**

- \_\_\_\_\_ LDR2
- \_\_\_\_\_ Converter



## VEHICLE ACCESS | LONG DISTANCE READER

The fast and reliable long range identification solution automatically identifies user's flow in any weather conditions without having to present the card on the reader. The product is suitable for parking lot barriers, traffic management, free flowing vehicle access control and convenience in general

---

## Technical Data

### CURRENT REQUIRED:

- 12...28 +20 % VDC / max. 1 A

### FREQUENCIES:

- MHz 902 – 928 (US).

### TRANSPONDER PROTOCOLS:

ISO18000-6 C (EPC Class1 Gen2).

### ENVIRONMENTAL CONDITIONS:

- -20° / 60° (-4°F / 140°F).
- IP65 suitable for outside use.

### ANTENNAS WITH BEAM WIDTH/POLARIZATION:

- 90° circular
- Transmit Power: E.R.P. max. 1 W (configurable)

### CONNECTION WITH THE DOOR CONTROLLER:

- 4 pin connector using AWG24 twisted pair or AWG18 cable connection.

### MAXIMUM DISTANCE BETWEEN THE DOOR CONTROLLER AND THE WALL READER:

- Between 5m (16 ft) and 100m (330 ft) depending on the cable and the voltage.

---

## Main Features

- Reading distance up to 7m (23 ft).
- UHF passive technology.
- Dual cards available:
  - UHF+DESFire 8k
  - UHF+Mifare 4k
- 8 bytes printed code.
- UHF Windshield stickers.
- UHF On metal stickers.
- Wiegand connection to the CU42E0 (online version only).
- Unique user is managed in ProAccess SPACE (RFID/UHF)
- Suitable for vehicle access.
- Suitable for outdoor use (IP65).
- 12VDC-24VDC (power supply not included).

as the credential is read at a certain distance (refer to the model's specifications for more information).

The LDR is fully integrated into the SALTO ProAccess SPACE system through the XS4 online controller.

---

## Access Control Features

### USERS & DOORS:

- Maximum number of users per door: 4 million.
- Maximum number of doors per system: 65,000.
- Access levels: unlimited.

### MANAGEMENT SOFTWARE:

- SALTO ProAccess SPACE.

### ID TECHNOLOGIES:

- SALTO UHF 8 bytes credential.

# Long Distance Reader

WRLUD24BXX - WRLUD14BXX | VEHICLE ACCESS

Extremely robust die-cast aluminium housing and compact design with integrated antenna. The WRLUD24Bxx boasts a range of 7m (23 ft) and the WRLUD14Bxx covers 3m (10 ft). It is a complementary product to the SALTO XS4 online Controller for real-time identification on the go.



## FEATURES:

- Modern aesthetic and robust design with 3 LEDs green/red and blue.
- Can be mounted on pipes or surface mounting.
- Compatible with SALTO XS4 Controller online version (CU42E0 only).
- Reading distance between 1 and 7 meters depending on the model (3.3 ft and 23 ft).

## MODELS:



Range of 7 m (23 ft)  
WRLUD24Bxx

## TECHNICAL CHARACTERISTICS:

- Dimensions: 200mm x 175mm x 60mm (7 7/8" x 6 57/64" x 2 23/64") (W x H x D).
- Weight: kg 1.2 kg (2.65 lbs).
- Housing Material: ABS/PC, Al (powder-coated)
- Transmit Power: E.R.P. max. 1 W (configurable)
- Transponder Protocols: ISO18000-6 C (EPC Class1 Gen2)
- Interface: RS485 (deBus Protocol)
- Electrical Connection: M12-Connector with 4 Pins

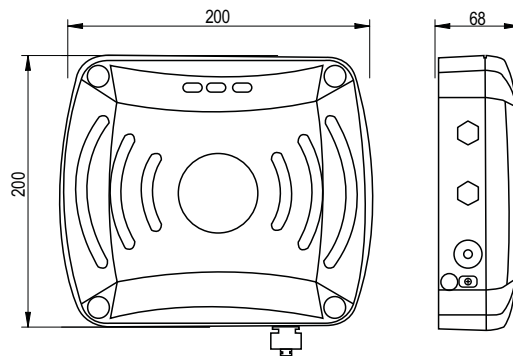
## PLATFORMS:

SVN

## ID TECHNOLOGIES:

- SALTO UHF 8 bytes credential.

## TECHNICAL DRAWING:



## CERTIFICATIONS:



- UL 294 (pending)

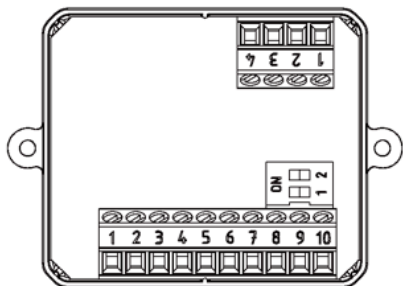
# Converter

## WRLUD-SIC1 | VEHICLE ACCESS

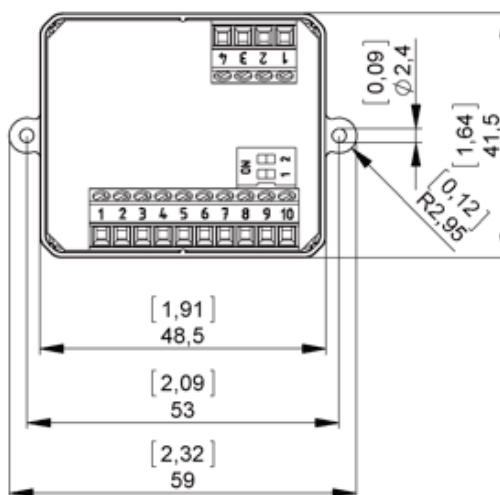
The WRLUD-SIC1 Wiegand converter is the link between the WRLUD and the CU42E0. It manages the real time communications assuring a perfect connection to the SALTO ProAccess SPACE software.

### TECHNICAL CHARACTERISTICS:

- Dimensions: 59mm x 41,5mm x 14mm (2 2<sup>1</sup>/<sub>64</sub>" x 1 4<sup>1</sup>/<sub>64</sub>" x 3<sup>5</sup>/<sub>64</sub>" (W x H x D).
- Material: ASA
- Operating temperature: -20° / 60° (-4°F / 140°F) non-condensing.
- Voltage supply: 12 ... 24 V/DC, 40mA
- Electrical protection: Transient and reverse polarity protection
- Interface: Wiegand



### TECHNICAL DRAWING:





## XS4 Control Units (CUs)

### XS4 2.0 CONTROL UNITS

XS4 2.0 CU SVN Online

XS4 2.0 CU Auxiliary

XS4 2.0 Expansion Board

### XS4 MODULAR CONTROL UNITS

XS4 Modular CU SVN Online

XS4 Modular CU Stand-Alone

XS4 Modular Extension Board

XS4 Modular Integration Boards

## XS4 CONTROL UNITS | CONTROLLERS

SALTO offers a wide range of door controllers that enable the expansion of SALTO access control benefits to all those doors where a stand-alone electronic escutcheon cannot be fitted.

---

## Technical Data

### CURRENT REQUIRED:

- 12V / 500mA adaptor included.

### NETWORK CONNECTION

- IP door controller Ethernet.

### ENVIRONMENTAL CONDITIONS:

- -20°C / 80°C.<sup>1</sup> (-4°F / 176°F)

### RELAY OUTPUT:

- Maximum current of the contact to relay 16A at 250VAC with resistive loads and 8A at 250VAC with inductive loads.<sup>1</sup>

---

## Main Features

- Offline or online door controllers depending on the model.
- Virtual Network capable through SALTO Virtual Network technology.
- User on card audit trailing capability via the SALTO Virtual Network (SVN).
- All communications between the wall reader and the door controller and between the door controller and the PC are secured and encrypted for a higher security level.
- No additional control panels are required.
- Alarm input.<sup>1</sup>
- Compatible with SALTO relay extension board, controlling up to 128 relay outputs suitable for elevators, etc.
- Set up done with Portable Programming Device (PPD) or directly from the PC.\*
- Update made with Portable Programming Device (PPD) or SVN.
- Antipassback mode available depending on the model.
- Firmware upgrade by means of PPD or directly from the PC on the online units.
- User on card audit trailing via SALTO Virtual Network in the case of offline units.

The door controllers read encrypted data contained on the credential and allow for updating of the credential via SALTO Virtual Network technology, making it possible to cancel lost or stolen cards remotely.

---

## Access Control Features

### USERS & DOORS:

- Maximum number of users per door: 4 million.
- Maximum number of doors per system: 65,000.
- Access levels: unlimited.

### CALENDARS & TIME ZONES:

- Calendars in system: 256
- Time zones: 256
- Time periods: 1,024

### EVENTS:

- Maximum events on lock audit: 5,000.
- Non volatile memory (memory is not deleted, even if power fails).

### MANAGEMENT SOFTWARE:

- SALTO ProAccess SPACE.

---

## Lock Modes

### STANDARD:

Locked at all times.

### OFFICE MODE:

Free passage.

### TIMED OFFICE:

Automatic locking at end time.

### AUTOMATIC OPENING:

8 pairs of "hands free" timed lock and unlocks per day with holidays.

### TOGGLE:

Present card to lock, present card to unlock.

### TIMED TOGGLE:

Present card to lock, present card to unlock depending on schedules

<sup>1</sup> Depending on the model

# XS4 2.0 CU SVN online

XS4 CU42E0 | ETHERNET CONNECTED CU

SALTO's XS4 2.0 control unit makes it even easier to bring superior access control to your facility, thanks to the ability to control and manage multiple doors through one Ethernet connection and one IP address.

This means that extending SALTO access control benefits to all those doors where a stand-alone electronic escutcheon cannot be fitted (electric strikes, parking lots, barriers, elevators, etc.) is even easier and more cost-effective.



## FEATURES:

- Online TCP/IP networked based door control unit.
- Virtual network capable through SALTO Virtual Network data-on-card technology.
- Two wall reader connections that can be configured as 2 different doors or one door reader in and reader out locking.
- Can control up to 4 auxiliary XS4 controllers and manage up to 10 doors.
- Antipassback mode.
- Door monitoring and tamper monitoring via contacts input (intrusion alarm and door left opened alarm.)
- Compatible with SALTO relay expansion board, (CU4EB8) controlling up to 128 relay outputs.
- Compatible with the SALTO ProAccess SPACE alarm engine event module to manage trigger events through inputs or audit events.

## FINISHES:



Translucent housing  
CU42E0T



Grey housing  
CU42E0G

## TECHNICAL CHARACTERISTICS:

- Connection to the network through Ethernet connection 100BASE-T.
- 4 relay outputs.
- 6 inputs to connect to:
  - Door detector, request to exit switch (RTE), office switch, roller blind control, intrusion inhibition.
- 2 tamper inputs (input, switch).
- The maximum cable length between the door controller and the wall reader is up to 400 meters<sup>1</sup> (1,300 ft).
- Connection to the wall reader using 4 wire connection, twisted pair.
- Power consumption: 12V DC 400mA (without XS4 2.0 readers), supplied by an adaptor. POE version to be released.

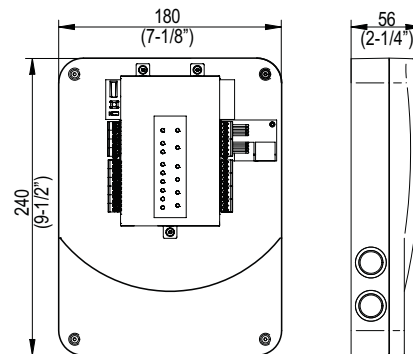
## PLATFORMS:



## ID TECHNOLOGIES:

- To be used with WRDB and WRMB wall reader range.
- MIFARE® (DESFire EV1, Plus, Ultralight C, Classic - ISO/IEC 14443).
- Bluetooth SMART (BLE).
- NFC.

## TECHNICAL DRAWING:



## CERTIFICATIONS:



<sup>1</sup> Depending on the cable

# XS4 2.0 CU auxiliary

XS4 CU4200 | AUXILIARY CONTROL UNIT

SALTO's latest control unit makes it even easier to bring superior access control to your facility, thanks to the ability to control and manage multiple doors through one Ethernet connection and one IP address.

The new SALTO XS4 2.0 Controller CU4200 is an auxiliary controller that does not require an IP address and can be set up as an auxiliary controller connected to an XS4 online controller (CU42E0), or can work as an offline controller, reducing the costs of installation and keeping all the advantages of the SALTO Data-on-card technology.



## FEATURES:

- Online controller if connected through BUS485 to CU42E0.
- Offline controller if not connected to the network.
- Two wall reader connections that can be configured as 2 different doors if it is connected to CU42E0, or one door reader in and reader out locking, if set up as offline and programmed via PPD.
- Antipassback mode available by connecting 2 wall readers and setting up as one door.
- Door monitoring and tamper monitoring via contacts input (intrusion alarm and door left opened alarm).
- Access plan update via SALTO Virtual Network capabilities. User access plan and blacklist (list of user cards cancelled) is transmitted via the data-on-card technology.

## FINISHES:



Translucent housing  
CU4200T



Grey housing  
CU4200G

## TECHNICAL CHARACTERISTICS:

- Connection to the Ethernet controller through BUS485.
- 4 relay outputs.
- 6 inputs to connect to:
  - Door detector, request to exit switch (RTE), office switch.
- 2 different tampers:
  - One tamper input.
  - One tamper switch.
- The maximum cable length between the door controller and the wall reader is up to 400 meters<sup>1</sup> (1,300 ft).
- Connection to the wall reader using 4 wire connection, twisted pair.
- Power consumption: 12V DC 400mA (without XS4 2.0 readers), supplied by an adaptor. POE version to be released.

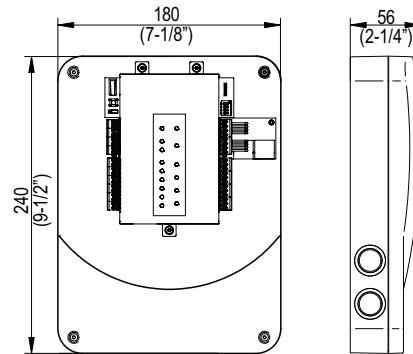
## PLATFORMS:



## ID TECHNOLOGIES:

- To be used with WRDB and WRMB wall reader range.
- MIFARE® (DESFire EV1, Plus, Ultralight C, Classic - ISO/IEC 14443).
- Bluetooth SMART (BLE).
- NFC.

## TECHNICAL DRAWING:



## CERTIFICATIONS:



<sup>1</sup> Depending on the cable

# XS4 2.0 Expansion board

XS4 CU4EB8 | EXPANSION BOARD

The CU42EB8 provides multi-relay switchable output management to external systems such as elevator floor level access, multi-shutter and barrier systems, machine switching and more.



## TECHNICAL CHARACTERISTICS:

- Connection to the controller through BUS485.
- 8 relay outputs.
- 4 relay inputs.
- 2 tamper inputs (input, switch).
- The maximum cable length between the I/O board and the controller is up to 400 meters <sup>1</sup> (1,300 ft).
- Connection to the controller using 2 wire connection, twisted pair.
- Power consumption: 12V DC 400mA, supplied by a power adaptor.

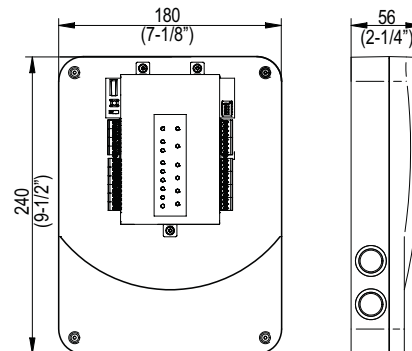
## PLATFORMS:



## FEATURES:

- Works with the CU42xx.
- Input and output board managed by the controller.
- Software configuration.
- Up to 16 connected units.
- Additional control output relays.
- Compatible with the SALTO ProAccess SPACE alarm event engine module to manage trigger events through inputs when connected to an online network via BUS485.

## TECHNICAL DRAWING:



## FINISHES:



Translucent housing  
CU4EB8T



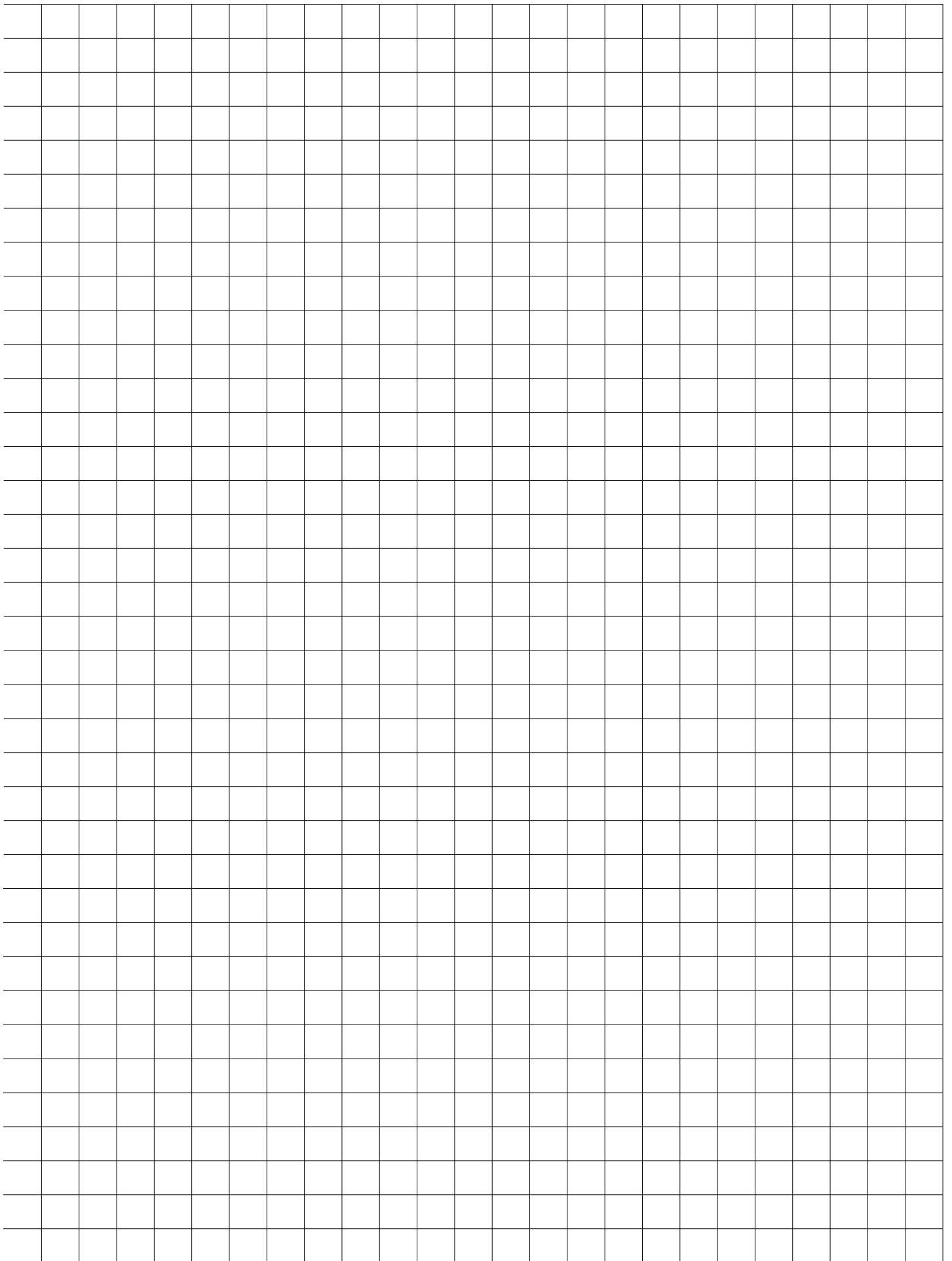
Grey housing  
CU4EB8G

## CERTIFICATIONS:



<sup>1</sup> Depending on the cable





# XS4 CU SVN online

## XS4 CU50ENSVN | ONLINE SVN CONTROL UNIT

The SALTO XS4 CU50ENSVN is an online door controller that can have one or two wall readers connected, has two control relay outputs and has SALTO Virtual Network (SVN) capabilities. Cards are automatically updated with the latest changes in the access plan. It records the user audit into the PC and provides advanced information on battery status.

It also continually updates the cancelled ID credential blacklist simply by using the cards on the network, distributing the latest access information throughout the building via the offline stand-alone locks. Access control changes can be carried out on the SALTO software and these are then actioned at the control units in real time. It provides full online features via the networked live link such as door monitoring status, remotely controlling door opening and roll call.



### FEATURES:

- Online IP door controller 10BASET.
- Two wall reader connections, read in – read out locking.
- Antipassback function.
- Two relay output.
- Compatible with SALTO relay extension board (EB5008) controlling up to 128 relay outputs suitable for elevators, etc.
- Can be used with the SALTO WRMKP for dual identification (Credential + PIN).
- Request to exit (RTE) switch input.
- Door monitoring and tamper monitoring via contacts input.
- Door state input.

### SALTO VIRTUAL NETWORK CAPABILITIES:

- Add or delete access privileges to the ID credentials.
- Validation of key expiration dates on any SVN online wall reader (also when being temporary offline).
- Cards blacklisting from the system.
- On card audit-trailing to track staff or visitor movement.
- Lock specific battery power data is registered on any card using the lock – staff or visitor – and transferred back to the PC control software via any update reader just by using the system.

### ONLINE FEATURES:

- Same online features as CU50EN.

### TECHNICAL CHARACTERISTICS :

- 2 relay outputs.
- Door detector, request to exit switch (RTE), office switch.
- One tamper switch.
- The maximum cable length between the door controller and the wall reader is up to 100 meters (330 ft).
- Connection to the wall reader using a 5 wire connection, twisted pair.
- Power consumption: 12V DC 400mA (without XS4 2.0 readers), supplied by an adaptor.

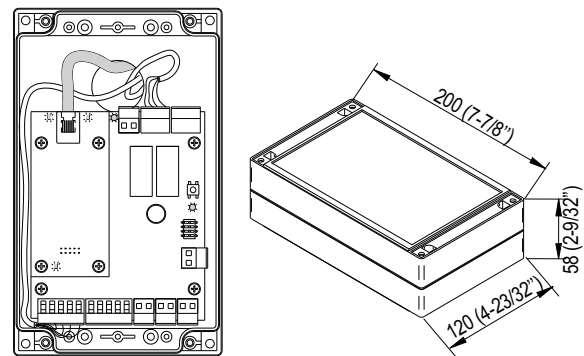
### PLATFORMS:



### ID TECHNOLOGIES :

- To be used with all SALTO wall readers (excepted WRM1000, WRDB or WRMB ranges).
- MIFARE® (DESFire EV1, Plus, Ultralight C, Classic - ISO/IEC 14443).
- NFC.
- HID iClass®.

### TECHNICAL DRAWING:



### CERTIFICATIONS:



# XS4 CU stand-alone

XS4 CU5000 | OFFLINE STAND-ALONE CONTROL UNIT

The SALTO CU5000 is a single door offline door controller that can have one or two wall readers connected and has two control relay outputs.



## FEATURES:

- Offline door controller.
- Two wall reader connections, read in – read out.
- Antipassback function.
- Two relay output.
- Upgradable to CU50EN or CU50ENSVN.
- Compatible with SALTO relay extension board (EB5008) controlling up to 128 relay outputs suitable for elevators, etc.
- Can be used with the SALTO WRMKP for dual identification (Credential + PIN).
- Door and tamper monitoring.
- Door status input.

## TECHNICAL CHARACTERISTICS:

- 2 relay outputs.
- Door detector, request to exit switch (RTE), office switch.
- One tamper switch.
- The maximum cable length between the door controller and the wall reader is up to 100 meters (330 ft).
- Connection to the wall reader using a 5 wire connection, twisted pair.
- Power consumption: 12V DC 400mA (without SALTO readers), supplied by a power adaptor.

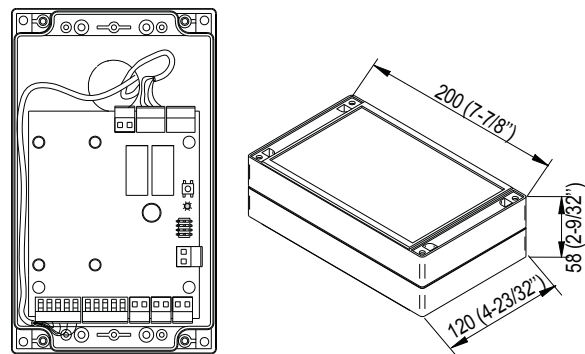
## PLATFORMS:



## ID TECHNOLOGIES :

- To be used with all SALTO wall readers (excepted WRM1000, WRDB or WRMB ranges).
- MIFARE® (DESFire EV1, Plus, Ultralight C, Classic - ISO/IEC 14443).
- NFC.
- HID iCLASS®.

## TECHNICAL DRAWING:



## CERTIFICATIONS:



# XS4 extension board

## EB5008 | RELAY EXTENSION BOARD

The EB5008 provides the option to manage multi-relay switchable output systems such as elevator floor level access, multi-shutter and barrier systems, machine switching and more.



### FEATURES:

- Up to 16 EB5008's can be connected in series to 1 door controller, allowing management of up to 128 outputs.
- Each output has user access (triggering) rights controlled from the software.
- Compatible with CU5000, CU50EN or CU50ENSVN door controllers.

### TECHNICAL CHARACTERISTICS:

- Connection to the controller through BUS485.
- Set up through dip switch.
- 8 relay outputs.
- Connection to the controller using a 2 wire connection, twisted pair.
- Current requires 12V/500mA. Power adaptor included.
- Number of relays each board: 8 (Max. of 16 EB5008 board in series, totalling 128 relay outputs).

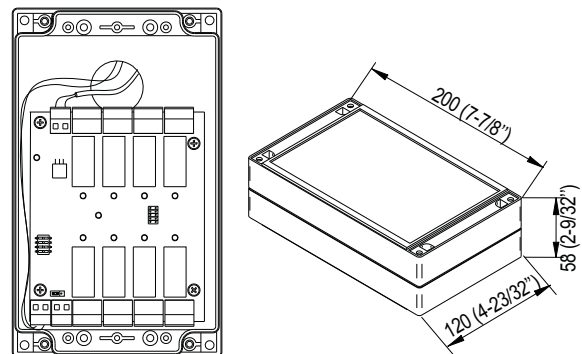
### PLATFORMS:



### ID TECHNOLOGIES :

- To be used with all SALTO wall readers (excepted WRM1000, WRDB or WRMB ranges).MIFARE® (DESFire EV1, Plus, Ultralight C, Classic - ISO/IEC 14443).
- NFC.
- HID iClass®.

### TECHNICAL DRAWING:



### CERTIFICATIONS:



# XS4 integration board

## XS4 CUADAP | SALTO CONTROL UNIT ADAPTOR

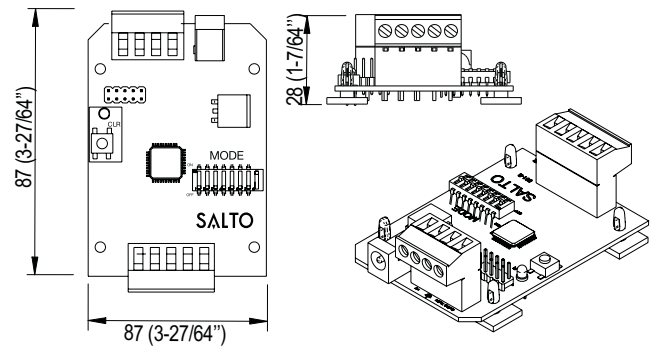
The SALTO Control Unit Adaptor opens the integration with third party devices such as time and attendance systems. The Control Unit Adaptor is connected to the CU50ENSVN, sending to a third party device the data information that is requested. This means that you can access a door with all the convenience of SALTO and control your staff attendance at the same time. The interface with the external device can be RS232, OMRON and WIEGAND.



### TECHNICAL CHARACTERISTICS:

- To be used with CU5000, CU50EN or CU50ENSVN.
- Configuration by dip switches to control data to be read and the interface with the external device.
- Current required: 12V.
- Connection to the CU: UTP CAT5 cable.
- Connection to the external device: 4 pin block terminal.
- Data read by the CUADAPT: ROM CODE, TRACKS ON KEY, WIEGAND CODE.

### TECHNICAL DRAWING:



# XS4 integration board

## XS4 WRADAP | SALTO WALL READER ADAPTOR

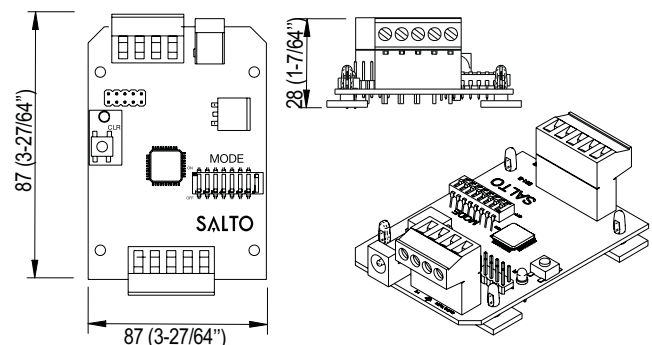
The SALTO Wall Reader Adaptor opens the integration to third party devices such as time and attendance, POS, etc. The Wall Reader Adaptor is designed to read data from the RW carriers and send it to an external device. The interface with the external device can be RS232, OMRON and WIEGAND.

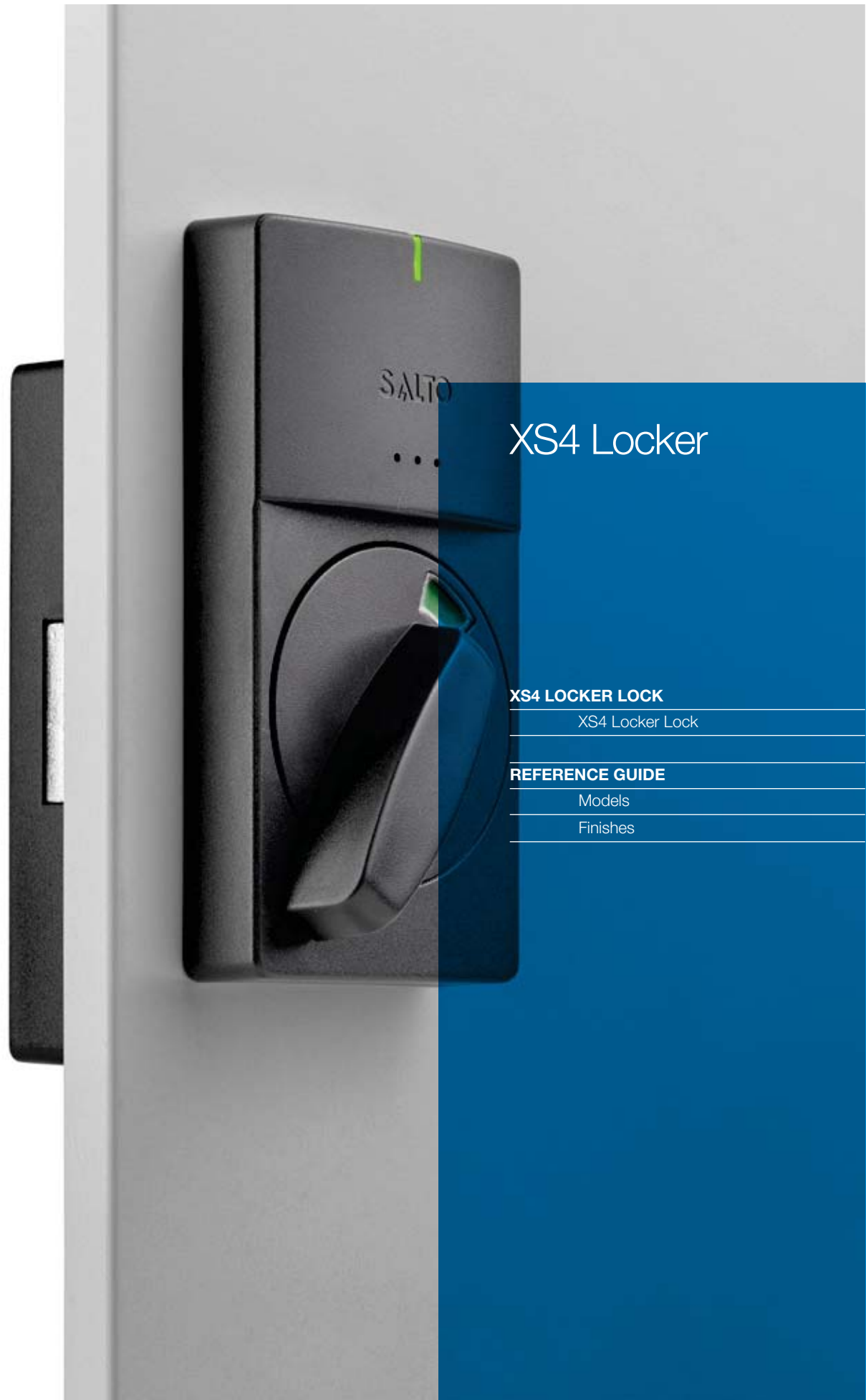


### TECHNICAL CHARACTERISTICS:

- Configuration by dip switches to control data to be read and the interface with the external device.
- Voltage required: 12V.
- Connection to the reader: UTP CAT5 cable.
- Connection to the external device: 4 pin block terminal.
- Data read by the WRADAPT: ROM CODE, TRACKS ON KEY, WIEGAND CODE.
- To be used with all SALTO wall readers (excepted WRM1000, WRDB or WRMB ranges).

### TECHNICAL DRAWING:





# XS4 Locker

## **XS4 LOCKER LOCK**

XS4 Locker Lock

## **REFERENCE GUIDE**

Models

Finishes

## XS4 LOCKER | FOR LOCKERS AND CABINETS

The XS4 Locker Lock provides high level security to a wide range of lockers, cupboards, cabinets, boxes, etc. by integrating it into the SALTO wire-free electronic access solution. It features an ergonomically designed twist operated locking

---

## Technical Data

### POWER SOURCE:

- 3 alkaline batteries (LR03 AAA 1.5V).  
Optional 3 Lithium batteries (FR03 - AAA 1.5V - see environmental conditions).

### NUMBER OF OPENINGS:

- Up to 40,000 openings, depending on the RFID technology.

- Low battery power indication monitored through the SALTO Virtual Network (SVN).
- The last 1,000 operations are signalled.

### ENVIRONMENTAL CONDITIONS:

- - 20°C to +70°C (-4°F to 158°F); without condensation (according to EN 60529).
- Inner temperature range: 0°C to +50°C; with lithium batteries: -20°C / 70°C; without condensation. (32°F to 122°F; -4°F / 158°F).
- IP56 rated for protection against ingress of water and dust.

---

## Main Features

- Fully integrated with the SALTO Hospitality platform.
- Easy to maintain: Battery change is all that's needed.
- Simple offline installation is possible on many types of small and thin locker doors.
- Door thickness: adaptable on site.
- Outer thumbturn with red/green indicator for availability of the locker, electronically managed release.
- Comes with BioCote® antimicrobial technology.
- Lock with large security deadbolt is built into the locker.
- Ideal for retrofit applications as outside locker lock reader rotates for different door handing and styles.
- No handing.
- Battery pack, electronic components and locking mechanism are all located on the inside of the door, safe from potential vandalism or sabotage.
- All communication between the carrier and the electronic lock is encrypted and secured.
- Low battery status information is obtained from carriers.
- Full access control rights programmed via software.

handle that makes for easy use, even with wet hands. The battery pack, electronic components and locking mechanism are all located on the inside of the door, safe from potential vandalism or sabotage.

---

## Access Control Features

### USERS & LOCKERS:

- Maximum number of users per locker: 4 million.
- Maximum number of lockers per system: 65,000.
- Access levels: unlimited.

### CALENDARS & TIME ZONES:

- Calendars in system: 256
- Time zones: 256
- Time periods: 1,024

### EVENTS:

- Maximum events on locker audit: 1,000.
- Non volatile memory (memory is not deleted, even if power fails).

### MANAGEMENT SOFTWARE:

- SALTO ProAccess SPACE.

---

## Operation Modes

### FIXED LOCKER ASSIGNMENT:

A specific user ID credential operates a specific locker lock.

### FREE LOCKER ASSIGNMENT:

Any user ID credential subsequently used to unlock a locker takes control.

### FAMILY OPTION:

Multiple user ID credentials to operate a single locker.

---

## Security Class

### EN 60529

According to EN 60529 for electronic handle sets including locker lock reader and lock case.

# XS4 Locker Lock

XS4 Lx0 | LOCKER LOCK

The SALTO XS4 Locker is a locker lock designed to bring all the advantages of an electronic access control for lockers and cabinets. The XS4 Locker is perfect for controlling access to lockers, cupboards, cabinets, boxes and show cases, where access control and full audit trailing are required.



## FEATURES:

- Fully integrated with the SALTO XS4 platform.
- Easy to maintain: Battery change is all that's needed.
- Outer thumbturn with red/green indicator for availability of the locker; electronically managed release.
- User on card audit trailing capability for audit trailing via the SALTO Virtual Network (SVN).
- All communication between the credential and the electronic lock is encrypted and secured.
- Low battery status information is obtained from credentials.
- Full access control rights programmed via software.
- Comes with BioCote® antimicrobial technology.
- Battery pack, electronic components and locking mechanism are all located on the inside of the door, safe from potential vandalism or sabotage.
- Emergency opening through portable programming device (PPD).

## READER COLOUR:



## TECHNICAL CHARACTERISTICS:

- Simple offline installation is possible on many types of small and thin doors. Door thickness: adaptable on site.
- Inside cover measures: 100mm x 110,5mm x 25mm (3 15/16" x 4 11/32" x 63/64").
- Outside escutcheon measurements: 54mm x 105mm x 28mm (2 1/8" x 4 9/64" x 1 7/64").
- Deadbolt projection: 15mm (11/32").
- Lock with large security deadbolt is built into the locker.
- Ideal for retrofit applications as outside locker lock reader rotates for different door handing and styles.
- No handing selection is needed.

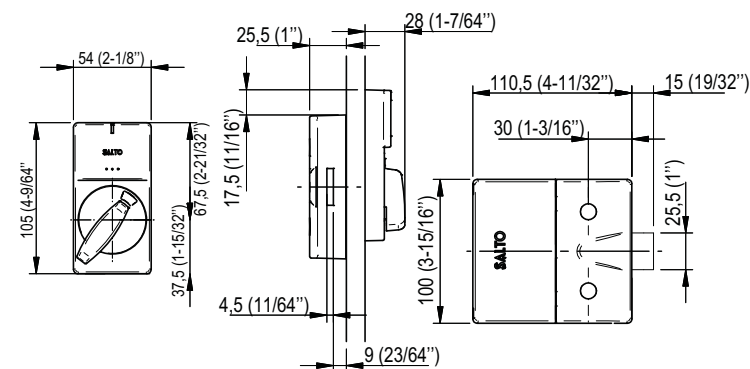
## PLATFORMS:



## ID TECHNOLOGIES :

- MIFARE® (DESFire EV1, Plus, Ultralight C, Classic - ISO/IEC 14443).
- NFC.
- HID iClass®.

## TECHNICAL DRAWING:



## CERTIFICATIONS:

### IP rating:

- For inside: IP56 compliant.



# Reference guide information

The SALTO XS4 Locker brings the advantages of electronic access control to the locker room. Simple wire-free installation is possible on many types of small and thin doors and in two different cover colours available.

L	90	50	A	20
—	—	—	—	—
PRODUCT TYPE	ID TECHNOLOGY	MODEL	FINISH	DOOR THICKNESS
1	2	3	4	5

## 1 | PRODUCT TYPE

L SALTO XS4 Locker.

## 2 | ID TECHNOLOGY

9 Contactless MIFARE DESFire.

H Contactless HID iClass®.

## 3 | MODEL

50 Standard locker lock.

## 4 | FINISH

A Anthracite reader and anthracite battery pack.

M White reader and anthracite battery pack.

## 5 | DOOR THICKNESS

20 From 10mm to 20mm ( $25/64''$  to  $25/32''$ ).

40 From 30mm to 40mm ( $1 \frac{3}{16}''$  to  $1 \frac{37}{64}''$ ).

30 From 20mm to 30mm ( $25/32''$  to  $1 \frac{3}{16}''$ ).

50 From 40mm to 50mm ( $1 \frac{37}{64}''$  to  $1 \frac{31}{32}''$ ).

<sup>1</sup> White is only available for the exterior part.



# XS4 Emergency Exits

## **XS4 ADVANCED EMERGENCY EXIT SOLUTION**

SALTO PBF1100 Panic Bar

### **KITS**

SALTO KPBs



## XS4 PANIC BARS | EMERGENCY EXIT SOLUTIONS

SALTO Advanced panic bar solutions enable emergency exit doors equipped with panic bars to be controlled with an innovative stand-alone electronic locking system.

---

## Technical Data

### POWER SOURCE:

- 3 alkaline batteries - LR03 - AAA 1.5V.

### NUMBER OF OPENINGS:

- Up to 40,000 openings.

- Low battery power indication monitored through the SALTO Virtual Network (SVN).
- The last 1,000 operations are signalled.

### ENVIRONMENTAL CONDITIONS:

- External lock: -20° / 60° (-4°F / 140°F).

---

## Main Features

- Fully integrated with the SALTO XS4 platform.
- Simple installation by changing handle set, using just two screws.
- System composed of a SALTO XS4 half escutcheon, a Kit Panic Bar (KPB) and the panic bar (can also be an existing one).
- Existing emergency exits can be retrofitted and upgraded into an electronic stand-alone access control system.
- Easy to maintain: Battery change is all that's needed
- Wireless capabilities possible to avoid wiring without sacrificing online real-time capabilities.
- User on card audit trailing capability via the SALTO Virtual Network (SVN).
- All communication between the credential and the electronic lock is encrypted and secured.
- Low battery status information is obtained from credentials.
- Optical signalling through light LED signal. Dual colour green/red to indicate access authorisation.
- The lock can always be opened from the inside (single action panic feature works in conjunction with the panic bar device).
- Available in 2 different finishes: satin stainless steel and polished stainless steel.
- Firmware upgrade through PPD.

SALTO stand-alone electronic locks can be fitted, in combination with adaptor kits, to more than 40 leading panic bars from the most popular manufacturers.

---

## Access Control Features

### USERS & DOORS:

- Maximum number of users per door: 4 million.
- Maximum number of doors per system: 65,000.
- User access levels: Unlimited.

### CALENDARS & TIME ZONES:

- Calendars in system: 256
- Time zones: 256
- Time periods: 1,024

### EVENTS:

- Maximum events on lock audit: 1,000.
- Non volatile memory (memory is not deleted, even if power fails).

### MANAGEMENT SOFTWARE:

- SALTO ProAccess SPACE.

### ID TECHNOLOGIES:

- Covering the mainstream MIFARE RFID technologies.
- Compatible with ISO 14443A, ISO 14443B and ISO 15693 (Vicinity).

---

## Lock Modes

### STANDARD:

Locked at all times.

### OFFICE MODE:

Free passage.

### TIMED OFFICE:

Automatic locking at end time.

### AUTOMATIC OPENING:

8 pairs of "hands free" timed lock and unlocks per day with holidays.

### TOGGLE:

Present card to lock, present card to unlock.

### TIMED TOGGLE:

Present card to lock, present card to unlock depending on schedules.

### AMOK MODE:<sup>1</sup>

Local lockdown of the escutcheon for emergency situations.

<sup>1</sup> Depending on the ID technology

# XS4 Panic Device

XS4 PBF110 | XS4 PANIC BAR PBF110

The SALTO XS4 PBF110 device is the emergency exit door's highest standard for security, with enhanced safety performance features. It combines the highest safety along with ease of use and installation.

SALTO XS4 PBF110 series exit devices are UL listed for Panic Hardware and Fire Exit Hardware, and are certified according to ANSI A156.3, 2001, Grade 1.



## FEATURES:

- SALTO SVN and SALTO Wireless network capable.
- All communication between the credential and the electronic cylinder is encrypted and secured.
- The batteries can be replaced without cylinder removal.
- Equipped with anti-drilling protection.
- Suitable for medium to high security applications.
- Emergency opening via portable programming device (PPD).
- Exit signal when bar depressed.
- AMOK option for offline lockdown.

## BAR FINISHES:



IM

## TECHNICAL CHARACTERISTICS:

- RIM panic device.
- Latch deadlocking.
- Steel case.
- Can be used with an exterior trim.
- Finishes: Satin stainless steel ANSI/BHMA 630, US32D.
- To be installed in combination with Ai650m00ffH8 / Ai660m00ffH8 + KPB03xx.
- Latch bolt: Stainless steel 19 mm (3/4") throw.
- Non-handed device.
- Maximum wing width: 1300mm (51-3/16).

## PLATFORMS:

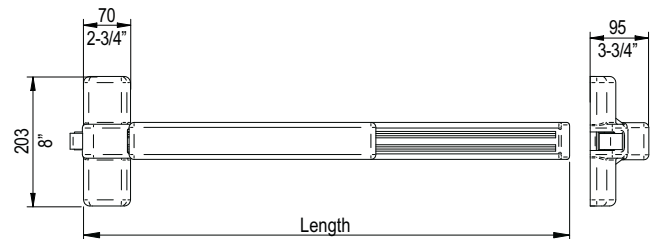


## ID TECHNOLOGIES :

Depending on the half escutcheon.

- MIFARE® (DESFire EV1, Plus, Ultralight C, Classic - ISO/IEC 14443).
- Bluetooth SMART (BLE).
- NFC.
- HID iClass®.

## TECHNICAL DRAWING:



## CERTIFICATIONS:



- Certified UL305 and ANSI A156.3-2008. Grade 1
- UL/cUL listed for 3 hour Fire Exit Hardware
- UL Listed using SALTO PBF1100 and Ax650xxxH8U



(1)

# Panic Bar Adaptor Kit

XS4 KPBS | XS4 KIT PANIC BARS

The XS4 SALTO KPBS (Kit Panic Bars) make it possible to fit stand-alone electronic escutcheons in combination with existing panic bars. SALTO has developed a wide range of KPBS that are compatible with the most popular panic bars on the market.



## FEATURES:

- Compatible with over 60 types of bars covering the mainstream exit panic devices for safe evacuations on the market.
- AMOK option for offline lockdown.
- Wireless online in real-time capabilities.
- Two different finishes, satin stainless steel or polished stainless steel.

## KPB FINISHES:



## TECHNICAL CHARACTERISTICS:

- KPB covers made of stainless steel.
- Customized fixing systems depending on the panic bar to be adapted.
- Compatible with some concealed vertical rod panic bars.

## PLATFORMS:

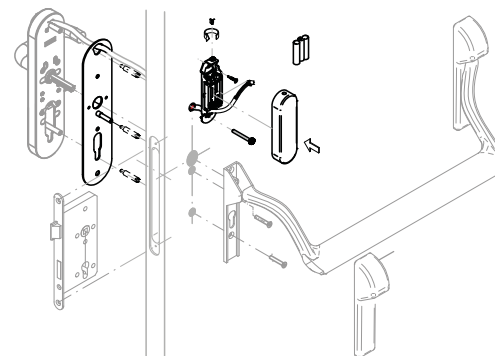


## ID TECHNOLOGIES :

Depending on the half escutcheon.

- MIFARE® (DESFire EV1, Plus, Ultralight C, Classic - ISO/IEC 14443).
- Bluetooth SMART (BLE).
- NFC.
- HID iClass®.

## TECHNICAL DRAWING:



## CERTIFICATIONS:



<sup>(1)</sup> External escutcheon.



## XS4 Mortise Locks

### **ANSI MORTISE LOCKS**

LA1T Models (ANSI Grade 1)

### **CARTRIDGE CYLINDRICAL LATCHES**

LC1M Models (ANSI Grade 1)

## XS4 MORTISE LOCKS | RELIABLE LOCKING

Access control requires a reliable smart door locking system. SALTO offers a wide range of mortise locks in order to ensure that the door is correctly locked. Whether you need ANSI mortise locks or cylindrical cartridge latches, SALTO has the locking system you need.

---

## Main Features

- Lock case, latch and deadbolt made of steel.
- ANSI standard and cylindrical latch models.
- Wide range of backsets and front plate configurations to fit most doors.
- Optional panic function for greater security of users or guests.
- Equipped with auxiliary latch (anti card system) to prevent unwanted intrusions.
- Highest certifications compliant.\*
- With automatic deadbolt or latch through-in option.
- Optional with door detector to monitor the status of the door without any additional hardware.\*
- Optional with deadbolt detector for electronic privacy function.
- Optional key override function for greater security of users or guests.

---

\* Depending on the mortise lock model, the certifications can vary.

Our complete range of mortise locks enable you to install SALTO electronic escutcheons and cylinders without compromising security.



# ANSI Mortise Lock

## LA1T | ANSI MORTISE LOCK

Specially designed for those doors that need an ANSI mortise lock ANSI A 156.13 Grade 1 and a privacy function with a deadbolt for Hospitality purposes.

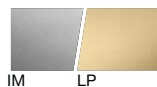
It includes integrated electronic detection to monitorize in real-time the door status, providing an easy to install solution without any additional hardware or drilling needs.



### FEATURES:

- Grade 1 ANSI mortise lock case.
- Suitable for ANSI standard escutcheons and electronic cylinders.
- High security heavy duty mortise lock for exterior and interior ANSI standard doors.
- Lock case, latch and deadbolt made of steel.
- Equipped with auxiliary latch (anti card system) to prevent unwanted intrusions.
- Includes standard strike plate and dust box for an optimal installation.

### FINISHES:



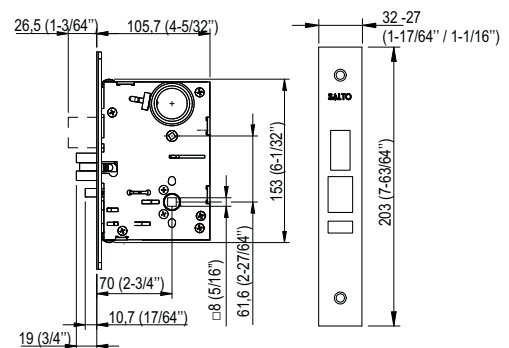
### TECHNICAL CHARACTERISTICS :

- Axe distance 62mm (2 7/16").
- Compatible with mortise cylinders 1 1/8".
- Squared front plate.
- 8mm (5/16") square spindle.
- Turning angle 54°.
- Backsets available: 70mm (2 3/4").
- Front plates available: 32mm (1 1/4" x 8") and 27mm (1-1/16" x 8").

### HANDING:

- Reversible latch for more convenience.
- Adjustable face plate.

### TECHNICAL DRAWING:



### OPERATIONS AND FUNCTIONS:

- Intelligent integrated detectors for deadbolt and door position to monitor the status of the door without any additional hardware or fitting.
- Detection of intrusion alarms.
- Opened and closed status of doors through SALTO Wireless technology.
- Optional integrated electronic privacy detector for door/room status real-time monitoring.
- Anti-panic safety function: In locked position, turning the inside handle retracts auxiliary latch and deadbolt simultaneously.
- Mortise lock available with or without deadbolt for additional security.
- The handle retracts the latch to normal position.

### CERTIFICATIONS:





# Cylindrical latch

## LC1K | CARTRIDGE CYLINDRICAL LATCH

With the SALTO XS4 cylindrical latch, you can replace existing traditional knob sets and upgrade them with a state of the art electronic access control system.

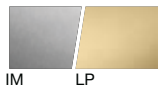
SALTO Cartridge cylindrical latches are ANSI A156.2 Grade 1 or 2, depending on the model, and enables users to replace old cylindrical or tubular latches with new, high quality ones compatible with SALTO electronic escutcheons.



### FEATURES:

- Meets ANSI A156.2 Grade 1 cylindrical latch requirements.
- Suitable for XS4 Original ANSI standard escutcheons and XS4 Mini ANSI models.
- Cartridge, latch and deadbolt made of steel.
- Equipped with auxiliary latch (anti card system) to prevent unwanted intrusions.
- Different backsets.
- Strike plate and dust box included.

### FINISHES:



IM LP

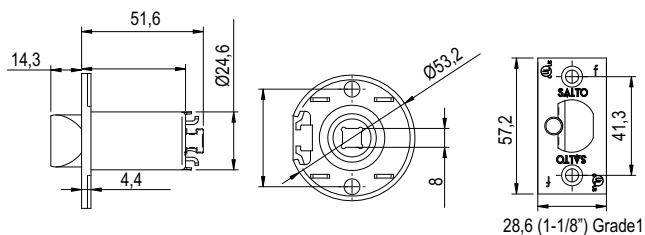
### TECHNICAL CHARACTERISTICS :

- Axe distance 62mm (2 7/16").
- Compatible with mortise cylinders 1 1/8".
- Squared front plate.
- 8mm (5/16") square spindle.
- Turning angle 54°.
- Backsets available: 70mm (2 3/4").
- Front plates available: 28.6mm (1 1/4" x 8") and 57.2mm (1-1/16" x 8").

### HANDING:

- Symmetrical latch for more convenience, no handing needed.

### TECHNICAL DRAWING:



### OPERATIONS AND FUNCTIONS:

- The handle retracts the latch to normal position.

### CERTIFICATIONS:



# Reference guide information

## XS4 LOCK | MORTISE LOCKS

SALTO offers a wide range of mortise locks in order to ensure that the door is correctly locked. Whether you need Euro locks, DIN locks, ANSI mortise locks, Scandinavian standard locks, cylindrical cartridge latches or automatic locks with privacy and panic functions, SALTO has the locking system you need.

The complete range of standard mortise locks enables you to install SALTO electronic XS4 escutcheons and SALTO XS4 GEO cylinders without compromising security.

LA	1T	0	5	70	A	2	0	IM	8	-
PRODUCT TYPE	SERIES	DEADBOLT FUNCTION	LATCH FUNCTION	BACKSET	FACEPLATE FORM	FACEPLATE WIDTH	DETECTOR	FINISH	SPINDLE	HANDING
1	2	3	4	5	6	7	8	9	10	11

### 1 | PRODUCT TYPE

- LA ANSI mortise lock.
- LC Cylindrical latch.

### 2 | SERIES

- 1T-1M ANSI mortise lock Grade 1.
- 2K ANSI tubular latch Grade 2.

### 3 | DEADBOLT FUNCTION

- 0 No deadbolt.
- 1 Deadbolt with panic function.

### 4 | LATCH FUNCTION

- 5 Latch with anti-friction system.

---

**5 | BACKSET**

---

70      70mm (2-3/4").

---

**6 | FACEPLATE FORM**

---

A      ANSI.

---

**7 | FACEPLATE WIDTH**

---

2      32mm (1-1/4").  
7      27mm (1-1/16").

---

**8 | DETECTOR**

---

0      No detectors.

---

**9 | FINISH**

---

IM      Satin stainless steel (US32D).  
LP      Polished Brass (US3).

---

**10 | SPINDLE**

---

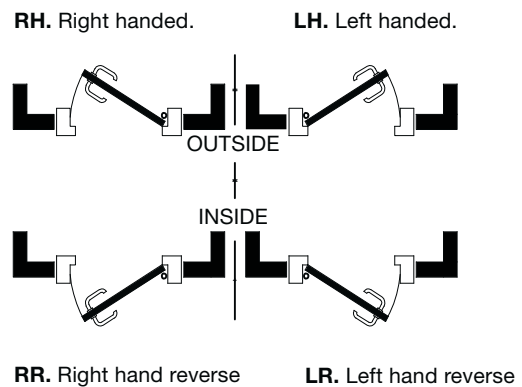
8      8mm (5/16").

---

**11 | HANDING**

---

L      Left hand.  
R      Right hand.





## XS4 Platform components

### **XS4 PLATFORM COMPONENTS**

---

Wireless System Components

---

Energy Saving Devices (ESD)

---

Access Control Management Tools

---

Credentials

---

The SALTO XS4 platform is more than just a locking solution and by combining the locks with other devices, we can reach a level of convenience and performance higher than traditional stand-alone access control systems.

---

## Wireless components

The XS4 online advanced wireless solution delivers real-time high level security with all the convenience of battery-operated access control.

It's the perfect choice for applications that need an access control system with low power consumption, providing online control without any need to hard-wire.

Simply set up the gateways (which are connected by Ethernet/WIFI to the controlling PC) and Nodes in pre-defined wireless zones and you're ready to go. The battery powered escutcheons and electronic cylinders use built-in low power (2.4 GHz) radio transceivers to communicate with the gateways to create a real-time wireless access control network.

---

### WIRELESS ACCESS CONTROL PLATFORM COMPONENTS:

- **GATEWAY:** The SALTO Gateway is the link between the PC and the wireless network.
- **NODE:** The SALTO Node is a bridge between the gateway and the wireless door lock.

---

## Management tools

The two SALTO XS4 management tools are the link between the software and the credentials as well as between the software and the locks on the door. To perform routine tasks such as editing new user keys, set up the access control plan, run diagnostics on offline devices, or perform emergency openings in extreme situations and more.

---

### XS4 ACCESS CONTROL PLATFORM COMPONENTS:

- **ENCODER:** The SALTO XS4 encoder is a compact device which reads, encodes and updates credentials.
- **CONTACTLESS PPD:** The SALTO Portable Programming Device is the messenger between the computer and the locks.

---

## Energy saving devices

The SALTO in-room energy saving device (ESD) helps save up to 65%\* of a hotel room or student dorm's electricity consumption. Unlike standard (magnetic stripe) energy savers, only authorized SALTO key cards will switch on the lights.

It is also available in a connected online version, which as well as energy saving, indicates in real-time the presence of guests or staff in a room, logging the information directly into the building management PC.

---

### SMART ENERGY SAVING DEVICES (ESDs):

- **RFID:** Recognizes RFID user's cards and switches on only the electrical equipment they need to do their work.

\* SALTO statistics.

---

## Credentials

SALTO credentials are available in a wide range of versions to suit every user's individual needs. Contactless and intuitive to use, you just have to present the carrier at the reader. All credentials are battery free, waterproof, copyproof and also suitable for multi-applications with other systems like T&A terminals or cashless payment systems.

---

### CONTACTLESS IDENTIFICATION KEYS:

- **CARDS:** Contactless RFID cards.
- **FOBS:** Contactless RFID key fobs.
- **BRACELETS:** Contactless RFID bracelets.

# XS4 Wireless Gateway

## XS4 GATEWAY | WIRELESS COMPONENTS

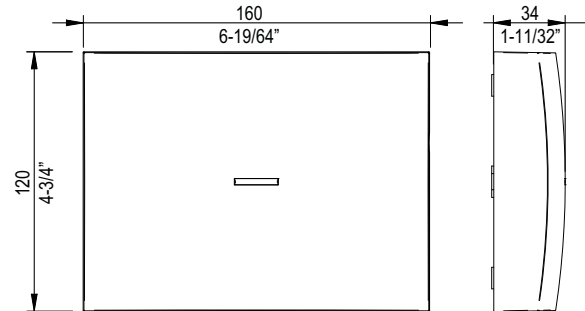
The SALTO Gateway is the link between the PC and the wireless network. Completely managed through SALTO ProAccess SPACE software, it collects all the information sent by the escutcheons through the nodes.



### TECHNICAL CHARACTERISTICS :

- Wireless radio frequency based on IEEE 802.15.4 at 2,4Ghz.
- AES 128bits encryption.
- Connection to the LAN Network 10 BASE-T/100 BASE-TX.
- PoE supported IEEE802.3af (12V power adapter optional).
- Can manage several nodes and many locks.
- IP addressing through web explorer available.
- Firmware update via software through Ethernet connection.
- One internal node included.

### TECHNICAL DRAWING:



### GATEWAY COLOUR:



# XS4 Wireless Node

## XS4 NODE | WIRELESS COMPONENTS

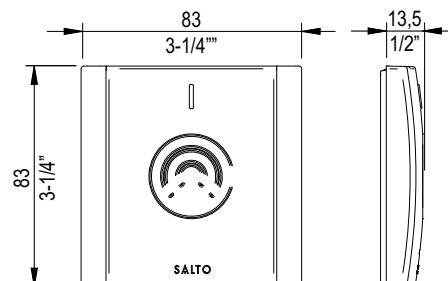
The SALTO Node is a bridge between the gateway and the escutcheons, where the distance to the escutcheon or where the number of escutcheons that must be linked to the gateway exceeds what is possible with a single Gateway.



### TECHNICAL CHARACTERISTICS :

- Wireless radio frequency based on IEEE 802.15.4 at 2,4Ghz.
- AES 128bits encryption.
- Connection to the GATEWAY BUS 485.
- Powered by the GATEWAY.
- Can manage up to 16 wireless locks.
- Firmware update via software through Ethernet connection.

### TECHNICAL DRAWING:



# XS4 Components

## XS4 ESD | ENERGY SAVING DEVICE

The SALTO in room energy saving device (ESD) helps to save up to 65%\* of a hotel room or student dorm's electricity consumption and unlike standard (magnetic stripe) energy savers, only authorized SALTO key cards will switch on the lights. Any other card (frequent flyer, business card, etc.) or other SALTO cards belonging to other rooms, won't work.



### FEATURES:

- Two different finishes for different room styles.
- Two relay outputs.
- Window detector input. If window is left open, the system will switch off the air conditioning.
- Flexible exit time delay by software.
- Modern Blue LED indicator which indicates the location of the device in the dark, and blinks as a courtesy indicator after retrieving the card when leaving the room.
- RFID technology (Mifare, DESfire, Mifare Ultralight).
- Online version available in RFID models.

### FINISHES:



Translucent housing  
CU4200T



Grey housing  
CU4200G

### TECHNICAL CHARACTERISTICS :

- Input voltage: 85-265 Volts AC.
- Consumption:
  - 200 mW in rest mode.
  - 1,8 W when activated.
- Relay power cut: 10A.
- Max. section for power and relays contacts connector:
  - Stranded wire section: 12 AWG (2,5mm<sup>2</sup>).
  - Strip length: 4-5mm ( $\frac{5}{32}$ " to  $\frac{1}{64}$ "').
- Max. section for windows detector connector:
  - Stranded wire section: 16 AWG (0,5mm<sup>2</sup>).
  - Strip length: 4-5mm ( $\frac{5}{32}$ " to  $\frac{1}{64}$ "').

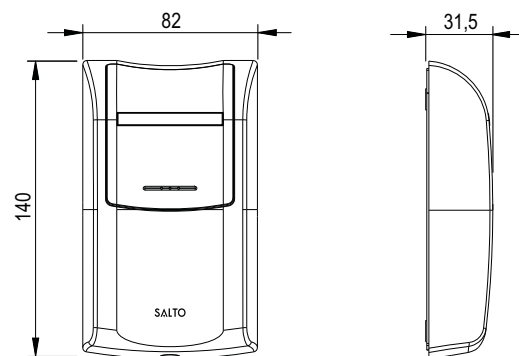
### PLATFORMS:

SVN

### ID TECHNOLOGIES :

- MIFARE, MIFARE plus, MIFARE Ultralight C, DESFire, DESFire EV1.

### TECHNICAL DRAWING:



# XS4 Encoder

XS4 ECx0EN/ECX0USB | PLATFORM COMPONENTS

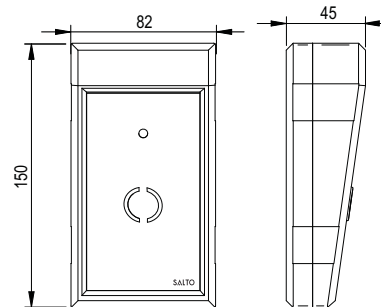
The SALTO encoder is a compact device which reads, encodes and updates cards.

It is available in different versions depending on the PC connection (Ethernet or UBS). It also permits automatic key issuing in large and complex properties, enabling users to carry out key assignment without any assistance required from the access control manager.



## TECHNICAL CHARACTERISTICS :

- Current required: 12 v/ 500mA (adaptor included).
- Connection to the PC: USB or Ethernet.
- USB encoders do not usually require an external adaptor.



## PLATFORMS:



## ID TECHNOLOGIES :

- MIFARE, MIFARE plus, MIFARE Ultralight C, DESFire, DESFire EV1.
- HID iClass®.

# XS4 Desktop Reader

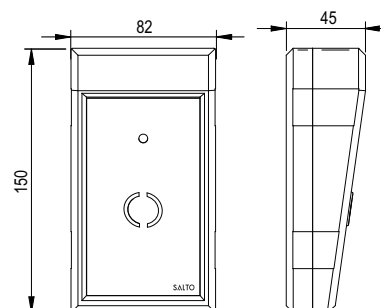
XS4 ECx0DR | PLATFORM COMPONENTS

Created for the Hotel environment, the SALTO desktop reader is designed to read data from the R&W credentials and send it to an external device, usually a Point of Sale terminal.



## TECHNICAL CHARACTERISTICS :

- Configuration by dip switches to control data to be read and the interface with the external device.
- The interface with the external device can be RS232, OMRON and WIEGAND.
- Current required: 12v DC source (included).
- Connection to the external device: 9 pin D-type female connector (to be connected to serial port).
- Data read by the desktop reader: ROM CODE, TRACKS ON KEY, WIEGAND CODE.



## PLATFORMS:



## ID TECHNOLOGIES :

- MIFARE, MIFARE plus, MIFARE Ultralight C, DESFire, DESFire EV1.
- HID iClass®.



# XS4 PPD

## XS4 PPD | PLATFORM COMPONENTS

The SALTO contactless Portable Programmer Device (PPD) is the messenger between the computer and the locks such as escutcheons or cylinders. It is used by systems administrator staff to test or program the locks, initialize doors, update locks or collect audit trails.



### FEATURES:

- Multilingual interface that facilitates the maintenance operations.
- Initialise doors: Transmits the door's access plan where the lock, reader or cylinder is installed.
- Collect audit trail: Download all the register of events from the locks, readers or cylinders.
- Update locks (door profile & internal clock).
- Door diagnostic.
- Emergency opening.
- Firmware update.
- Auto switch-off.
- Low-battery indication

### TECHNICAL CHARACTERISTICS :

- Power source: 3 alkaline batteries - LR03 - AAA 1.5V.
- Membrane keyboard.
- Adaptive brightness to correct screen.
- Connection to lock: cable included or contactless through NFC.
- PC connection: USB.

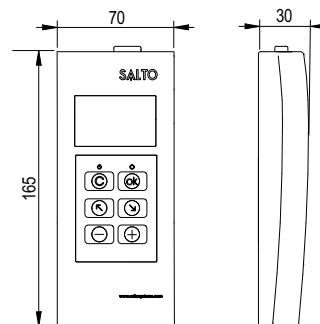
### PLATFORMS:



### ID TECHNOLOGIES :

- Contactless RFID.

### TECHNICAL DRAWING:



### CERTIFICATIONS:



# Contactless cards

XS4 CREDENTIALS | PLATFORM COMPONENTS

Reusable, contactless RFID smart cards for access control. It provides higher levels of security than traditional mechanical key management and additional applications can be implemented on the same ID user credential.



## TECHNICAL CHARACTERISTICS :

- Available in 1 Kbytes / 4 Kbytes of memory
- Available in white, SALTO design and other design (under request).
- Meets requirements for contactless access control and compatible with SALTO Virtual Network data-on-card technology.
- Same size and thickness as a standard credit card.

## COLOURS:



SILVER GREY WHITE

## PLATFORMS:



## ID TECHNOLOGIES :

- MIFARE® DESFire EV 1.
- MIFARE® Classic.
- MIFARE® Ultralight C.
- HID iClass®.
- Designed for multiple applications across market segments using the same credential through shared sectors.

# Contactless key fobs

XS4 CREDENTIALS | PLATFORM COMPONENTS

Contactless RFID key fobs are a cost-effective, secure and convenient solution for commercial and industrial applications with a durable housing for rugged use or harsh environments. Attractively designed, SALTO XS4 contactless key fobs are available in various color.



## TECHNICAL CHARACTERISTICS :

- Available in 1 Kbytes / 4 Kbytes of memory
- Available in various color, SALTO design and other design (under request).
- Meets requirements for contactless access control and compatible with SALTO Virtual Network data-on-card technology.

## COLOURS:



GREEN RED BLACK BLUE YELLOW

## PLATFORMS:



## ID TECHNOLOGIES :

- MIFARE® DESFire EV 1.
- MIFARE® Classic.
- Designed for multiple applications across market segments using the same credential through shared sectors.

# Contactless bracelets

## XS4 CREDENTIALS | PLATFORM COMPONENTS

Contactless RFID silicone bracelets are comfortable, easy to wear and a good alternative to classical key fobs and cards. A convenient solution for commercial and industrial applications with a durable housing for rugged use or harsh environments. Attractively designed, are available in various color.



### TECHNICAL CHARACTERISTICS :

- Available in 1 Kbytes / 4 Kbytes of memory
- Available in various color.
- Meets requirements for contactless access control and compatible with SALTO Virtual Network data-on-card technology.

### COLOURS:



### PLATFORMS:



### ID TECHNOLOGIES :

- MIFARE® DESFire EV 1.
- MIFARE® Classic.
- Designed for multiple applications across market segments using the same credential through shared sectors.

# Contactless key bracelets

## XS4 CREDENTIALS | PLATFORM COMPONENTS

Contactless RFID key bracelets are a cost-effective, secure, easy to wear and convenient solution for commercial and industrial applications with a durable housing for rugged use or harsh environments. Attractively designed, SALTO XS4 contactless key fobs are available in various color.



### TECHNICAL CHARACTERISTICS :

- Available in 1 Kbytes / 4 Kbytes of memory
- Available in various color, SALTO design and other design (under request).
- Meets requirements for contactless access control and compatible with SALTO Virtual Network data-on-card technology.

### COLOURS:

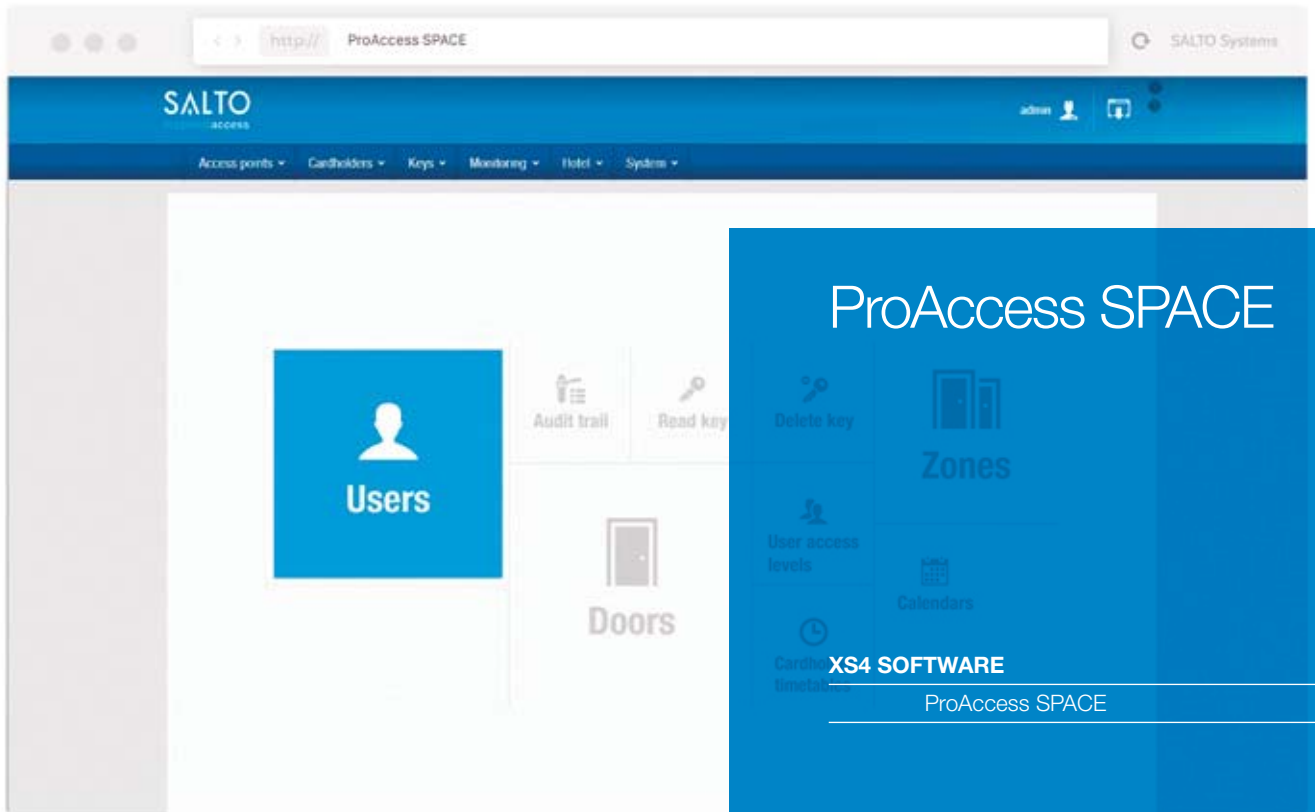


### PLATFORMS:



### ID TECHNOLOGIES :

- MIFARE® DESFire EV 1.
- MIFARE® Classic.
- Designed for multiple applications across market segments using the same credential through shared sectors.



# ProAccess SPACE

- Delete key
- Zones
- User access levels
- Calendars
- Cards/timetables

**XS4 SOFTWARE**

---

ProAccess SPACE

SALTO ProAccess SPACE Software is a powerful web-based access control management tool that enables users to programme access-time zones, manage different calendars and view audit trails from each door.

---

## Technical Data

### SERVER OPERATING SYSTEM:

- Windows 7 SP1.
- Windows 8.
- Windows 8.1.
- Windows 10.
- Windows Server 2008 R2 SP1.
- Windows Server 2012 R2.

### MICROSOFT .NET FRAMEWORK REQUIREMENT:

- Net Framework 4 or higher.

### ADDITIONAL PLUG-INS REQUIRED:

- Microsoft Silverlight plug-in version 5 or higher.

### HARDWARE REQUIREMENT FOR SERVER:

- Processor: 1 GHz or higher. 32Bits or 64Bits.
- RAM: 4 GB.
- Hard disk space required: 10 GB.  
(Aprox., depends on the DB).

### HARDWARE REQUIREMENT FOR CLIENT:

- Processor: 1.6 GHz or higher. 32Bits or 64Bits.
- RAM: 1 GB.
- NET framework: V.40.2
- Plugin: Microsoft Silverlight 5.
- Web browser: Windows Internet Explorer 9.

### SQL DATABASE ENGINE COMPATIBILITY:

- SQL LocalDB (included in ProAccess SPACE software - SQL Server 2012Express)
- SQL Server 2014
- SQL Server 2012
- SQL Server 2008 R2

---

## Access Control Features

### USERS & DOORS:

- Maximum number of users per door: 4 million.
- Maximum number of doors per system: 65,000
- User access levels: Unlimited.

### CALENDARS & TIME ZONES:

- Calendars in system: 256
- Time zones: 256
- Timeperiods: 1,024

Its user-friendly interface is simple to set up and configure, giving users the flexibility and control that today's modern access control systems require.

---

## Main Features

### USER FRIENDLY:

- 100% web-based software that facilitates the set-up, routine use and monitoring, as well as any updating and changing of access rights.
- Web-based interface means no need to install the software on all client PCs.
- Easy installation process that includes a powerful SQL engine. Database protected by SQL authentication or windows-based authentication.
- Multi-language and configurable interface makes it easy to adjust the interface to the specific needs and security level of each operator, including operator password protection for higher security.
- Online event monitoring through web browser permitting real-time visibility of all events at online doors.
- Incorporate user photos to facilitate easy and fast identification of users at online access points.
- Easier set-up of the XS4 2.0 Controller inputs and outputs through a userfriendly wizzard template.

### SECURE:

- Systems's auditor registers changes done by operators.
- Interface alerts to be aware of potential conflicts on the setup of the access plan or changes.
- Easy to upgrade to additional features to keep in-line with an installation's requirements.

### FLEXIBLE:

- Also, an update of the server PC means that all client PCs are also updated.
- Can be managed or operated from different workstations simultaneously without risk of database corruption.
- Possibility of multi-display using different web screens.
- SALTO ProAccess SPACE software can also be used on Windows-based tablets.

### SMARTPHONE-BASED:

- JustIN Mobile permits access control users and hotel guests to use their BLE-enabled smartphone as their credential.
- JustIN mSVN permits users to use their NFC-enabled smartphone to update their credentials remotely.

## PROACCESS SPACE | MANAGEMENT SOFTWARE

SALTO Systems' new software, ProAccess SPACE, brings together a superior level of flexibility and functionality with an easy to use, web based interface and logic that enable the straightforward management of SALTO access control installations.

ProAccess SPACE lets users choose and pay for just the features and functions they need now, with the flexibility to upgrade accordingly in the future as their needs grow.

---

## Main Features



---

### SIMPLE BUT POWERFUL IN SYSTEM SCOPE:

SALTO ProAccess SPACE gives you all the potential of one complete access control software package, whatever the size of site.

- 4,000,000 users.
- 65,000 doors, lockers, controllers...
- Unlimited user access levels.
- 1,024 zones.

---

### THE SALTO HOST INTERFACE PROTOCOL INTERFACE (SHIP)

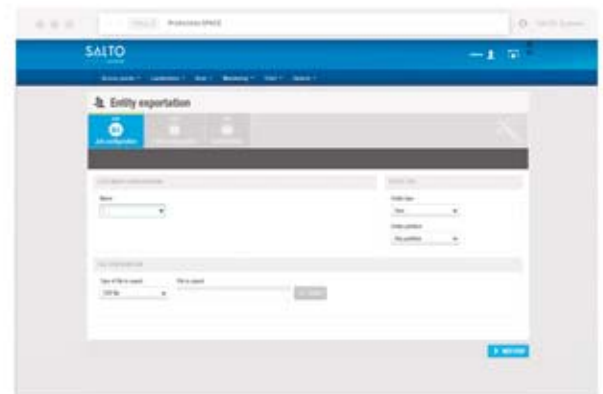
The SALTO Host Interface Protocol enables users to integrate their SALTO access control system to other systems, i.e., CCTV, fire alarm, traditional access control, etc., all via the same ProAccess SPACE software.

---

### THE POWER OF AN SQL MOTOR ENGINE DATABASE MADE EASY:

Allows management of peripheral devices from your web browser, even on client workstations without any additional configuration, bringing more flexibility and convenience to your management routines.

- Reliable and secured database infrastructure (SQL authentication or Windows-based authentication).
- No complex installation or need for advanced IT department or knowledge.
- No expensive licenses.
- Suitable for high security installations that require compliance with the highest IT standards.
- SSL protocols to warranty the security.
- Encrypted communication between the software and SALTO devices.



---

### MOBILE ACCESS CONTROL WITH SALTO JUSTIN MOBILE:

SALTO's new ProAccess SPACE software enables users to the benefit of SALTO Mobile technology through JustIN mSVN or JustIN Mobile. Both of these mobile solutions bring better security and usability to end users as well as system managers.

End users gain convenience and productivity without sacrificing security, while facility managers distinguish their property with cost-effective solutions that clients truly value.




---

### **MULTI-WORKSTATION WITHOUT MULTI-STATION DESKTOP INSTALLATION:**

SALTO's web-based interface means the system can be managed or operated from different workstations simultaneously without risk of database corruption.

No need to install the software on all operator PCs. Simply install SALTO ProAccess SPACE SERVICE in one server or computer, then give access to other authorised computers inside the network.

---

### **USER-CENTERED INTERFACE DESIGN:**

SALTO ProAccess SPACE has been designed to meet the needs of all of our users, providing an efficient tool that make their daily tasks easier, faster and more productive.

- More intuitive and user-friendly interface, with one window from which an operator manages all the tools needed.
- Multi-windows interface.
- Multi-language interface.
- Interface alerts of potential conflicts in the setup of access plan or changes.




---

### **COMPATIBLE WITH MULTIPLE BROWSERS AND OS:**

SALTO ProAccess SPACE software client interface works with Microsoft Explorer, Safari and Firefox and can also be used with Windows tablets. Just a Silverlight plug-in needs to be installed and that's it.

---

### **BUY EXACTLY WHAT YOU NEED ONCE, AND EASILY ADD ON A LA CARTE AS YOUR REQUIREMENTS GROW:**

SALTO ProAccess SPACE Software builds upon the experience and functionalities of ProAccess while adding an impressive mix of new capabilities and usability.

- Licensing system allows adding features and creating a tailor-made system, depending on your needs.

---

### **CUSTOMISE OPERATOR PROFILES, INCLUDING SECURITY LEVELS:**

Operators are in control of the access plan management, so that's why ProAccess SPACE has a lot of functionality around operator management.

- Customization of the operator profile and operator workspace.
- Operator password protection for a higher security.
- System auditor to track what changes have been done by which operators.

---

### **UPGRADABLE:**

Migrating from existing SALTO software is straightforward, no matter the version of ProAccess or HAMS currently in use.

You can upgrade while maintaining all the content of the access plan, users, doors, audit trail, etc.

## PROACCESS SPACE | MANAGEMENT SOFTWARE

ProAccess SPACE lets users choose and pay for only the features and functions they need now, with the flexibility to upgrade accordingly in the future as their needs grow.

With the SALTO ProAccess SPACE perpetual license system, you pay once for the features you need, and if new needs arise, you can easily and quickly upgrade your license, increasing the functionality and with the convenience you need.

---

## Main Functions

## Interfacing



---

### EVENT STREAM:

The Event Stream option generates real-time notifications to third party systems. The idea is to filter the audit trail and send the selected events so that the order system can process the received information and perform a real-time action.

**Feature included in: SPAONLINE, SPAIDSYS and SPAPART packages.**



---

### SHIP INTEGRATION:

The SALTO Host Interface Protocol enables users to integrate their SALTO Access Control system with other systems i.e., CCTV, fire alarm, traditional access control, etc., all via the same software.

**Function is only available as a separate add-on and is not included in any predefined package.**



---

### SALTO MOBILE USERS:

SALTO Mobile permits registered users to use their BLE-enabled smartphone as their credential, or their NFC-enabled smartphone to serve as a remote updating point to keep their access rights always up to date. ProAccess SPACE software permits the specific selection of which mobile solution -- JustIN Mobile or JustIN mSVN -- is appropriate for each individual user.

**Function is only available as a separate add-on and is not included in any predefined package.**



---

### OPERATORS PROFILE:

Each system operator can customize the look and feel of its own GUI by pre-defining the language, which encoder is to be used, column sorting etc... allowing a more efficient multi-user environment.





# Monitoring



## ONLINE MONITORING:

SALTO ProAccess software enables you to monitor in real-time not just battery status or if an update is needed, but also who accessed what door and when, if a door has been left open, intrusions, etc. Total control, all in real-time.

**Feature included in: SPABASIC, SPAONLINE, SPAIDSYS and SPAPART packages.**



## LIMITED OCCUPANCY:

Using the Limited occupancy feature, you can control the maximum number of authorised users. The system will automatically deny access once set occupancy levels are reached, re-granting access if or when the limits are reset.

**Feature included in: SPAONLINE, SPAIDSYS and SPAPART packages.**



## ROLL CALL:

Through the Roll Call function, you can track where users are in different roll call areas in real-time.

**Feature included in: SPAONLINE, SPAIDSYS and SPAPART packages.**



## GRAPHICAL MAPPING:

Graphical mapping is a visual interface that permits monitorization of users' access to online wired and wireless access points in real-time throughout the building layout.

**Function is only available as a separate add-on and is not included in any predefined package.**

# Advanced security



## LOCKDOWN:

SALTO ProAccess SPACE software enables users to make an emergency lockdown of a property in the event of a security incident.

**Feature included in: SPAONLINE, SPAIDSYS and SPAPART packages.**



## AMOK:

SALTO AMOK electronic escutcheons have a built-in card reader on the inner escutcheon that enables users to activate the AMOK function mode in order to lockdown a room quickly. Only authorized users with AMOK privileges on their access plan can activate it.

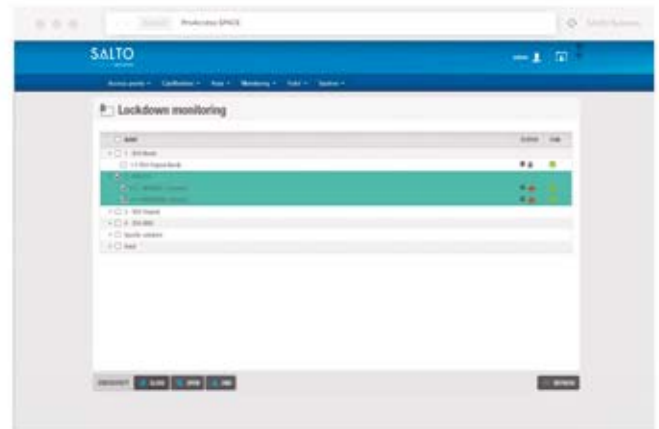
**Feature included in: SPABASIC, SPAONLINE, SPAIDSYS and SPAPART packages.**



## ANTIPASSBACK:

The Antipassback feature establishes a specific sequence in which access cards must be used in order for the system to grant access.

**Feature included in: SPAONLINE, SPAIDSYS and SPAPART packages.**



## AUTOMATIC KEY ASSIGNMENT:

Automatic key assignment is a tool that enables the encoding of key cards directly via a wall reader at the main point of access. This can be done the first time a user presents their card, saving time and the need to queue for card validation.

**Feature included in: SPAONLINE, SPAIDSYS and SPAPART packages.**



## EVENT ENGINE:

SALTO ProAccess SPACE can now manage specific event-triggered actions and alarms. The Event Engine's intuitive wizard permits programming of any event audit trail or any event-triggered action through the CU42xxx inputs to automatically perform defined actions, such as activating CCTV recording, sending e-mail alert notifications, activating lockdown, etc.

An event can be scheduled or triggered by a user, user group or door event through an audit trail event or XS4 2.0 Controller inputs.

**Function is only available as a separate add-on and is not included in any predefined package.**

# Administrator



## MATRIX FUNCTIONS AND LOCATIONS:

The combination of users to doors and their different functions can cause occasional keying problems when designing the access plan. The Matrix Access Function simplifies and streamlines the link between users and doors, making access planning simple and straightforward.

**Function is only available as a separate add-on and is not included in any predefined package.**



## VISITOR MANAGEMENT:

The Visitor module enables you to issue visitor cards for a few hours, a few days or for something in between, and all with a built-in cancellation date that will disable the credential automatically.

**Feature included in: SPAIDSYS and SPAPART packages.**



## BADGING:

The SALTO badging module enables users to create templates for card credentials via information from the user's access plan data. The cards can be customized both internally and externally.

**Feature included in: SPAIDSYS and SPAPART packages.**



## LOCKER LOCKS:

As part of the SALTO platform, our XS4 locker locks can also be managed through ProAccess SPACE software. This provides an impressive range of options including free assignment mode, family mode, subject to calendars, etc.; almost unlimited possibilities.

**Feature included in: SPABASIC, SPAONLINE, SPAIDSYS and SPAPART packages.**



## PARTITIONS:

Department operator enables properties to be managed independently but while retaining shared access privileges. Individual buildings can be run by their own managers, controlling their own user's access rights.

**Feature included in: SPAPART packages.**

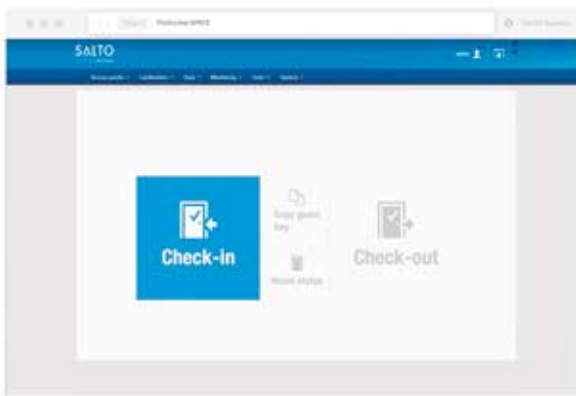
## PROACCESS SPACE | FRONT DESK MANAGEMENT SOFTWARE

For the Hospitality market, SALTO has developed specific Add-ons which allow hotel clients to easily control all their access and guest management needs with one easy-to-use system. It suits hotels of all types and sizes.

These plus other key hotel features make it easy to control all the offline and online guest rooms and back-of-house doors from one central location.

---

## Hospitality Add-ons



---

### MOBILE ACCESS (BLE):

Provide your guests with a hotel experience they value and want to repeat by facilitating their check-in experience without sacrificing their security and comfort.

With ProAccess SPACE it's easy to incorporate mobile access control. Visiting the front desk will soon be a thing of the past with SALTO's revolutionary innovation in guest experiences. Guests can now access their hotel room and bypass the front desk by using their smartphone as a room key; check-out without having to return keys; and extend their stay simply by requesting an extension via their phone. Mobile access can be used along with or as a replacement of RFID credentials.

---

### GROUP CHECK-IN:

When guests arrive at a hotel, they want to check in and get started on what they came to do: hang back and relax, or start in on work. That means that all the steps of the check in process need to work flawlessly, from issuing the guest card to guests being able to seamlessly access their room, pool area, spa or other amenities.

SALTO ProAccess SPACE makes it possible to quickly check-in groups, while providing hotel management full control over guest access through one easy-to-use system.



---

### REAL-TIME RE-ROOMING / EXTENDED STAY:

Improve the guest experience and hotel operations through SALTO ProAccess Space. Remotely re-rooming or extending a guest's stay requires minimal effort from the guest and helps free up the front desk.

---

### PROPERTY MANAGEMENT SOFTWARE (PMS)

ProAccess SPACE is compatible with leading property management software (PMS) such as Micros FIDELIO, New Hotel, Protel, Infor, etc. Quickly validate guest registration and make room keys, so the guest can begin to enjoy to amenities. Also automates optional SALTO Intelligent Energy Savings Devices (ESD).

# Software packages guide information

## PROACCESS SPACE | MANAGEMENT SOFTWARE

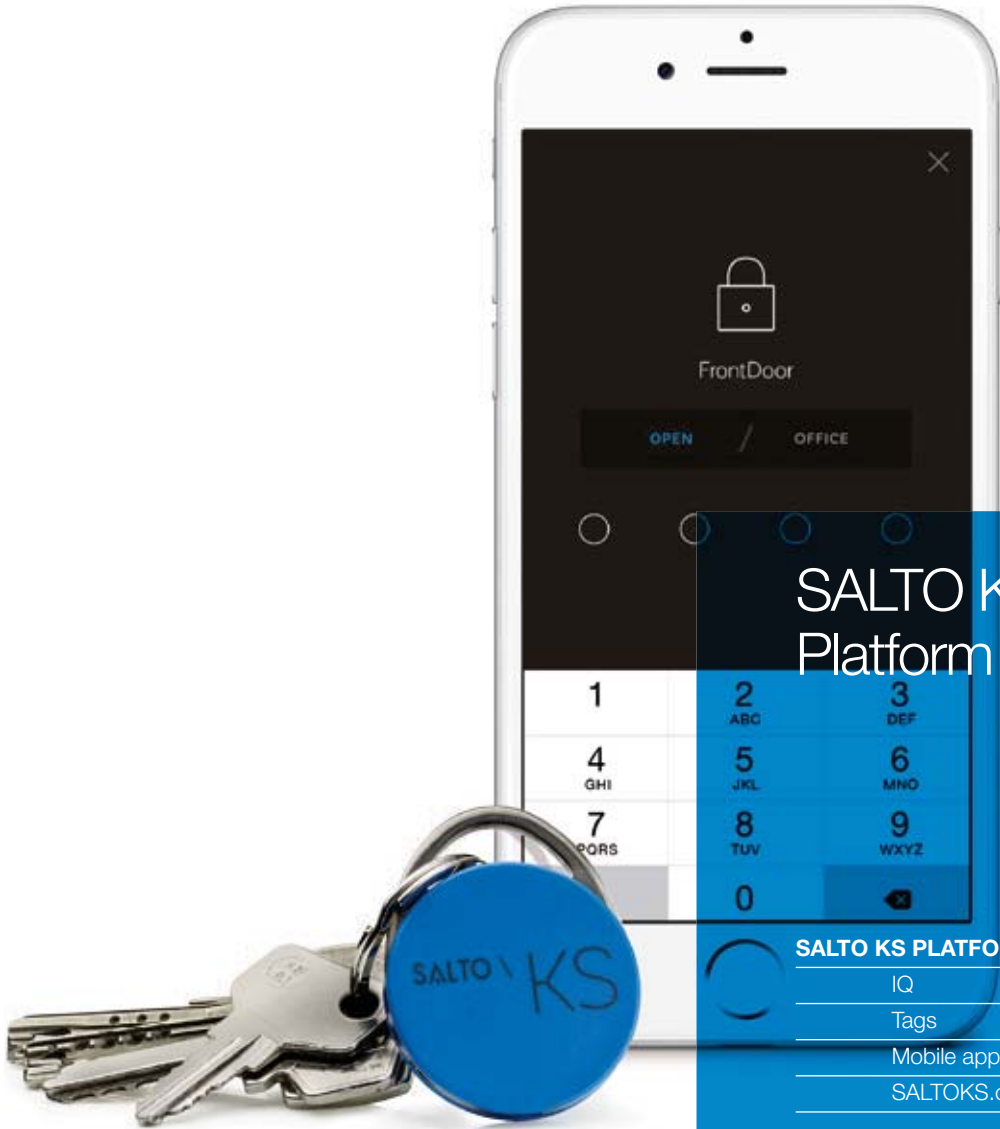
SALTO's ProAccess SPACE "browser-based" software brings a new level of power and flexibility to access control. Select the software package to meet the needs of today, knowing the system can scale to accommodate growth in the future.

In addition to an abundance of functionalities, SPACE provides a modern easy-to-use interface. Users are able to quickly learn how to manage and operate their system through logical and intuitive software architecture.

	— SPABASIC	— SPAONLINE	— SPAIDSYS	— SPAPART
<b>USERS</b>	4,000,000	4,000,000	4,000,000	4,000,000
<b>DOORS</b>	65,000	65,000	65,000	65,000
<b>EXPIRATION PERIOD</b>	NO EXPIRATION	NO EXPIRATION	NO EXPIRATION	NO EXPIRATION

### FUNCTIONS

	OPT-No. —	— SPABASIC	— SPAONLINE	— SPAIDSYS	— SPAPART
<b>LOCKER</b>	0001	INCLUDED	INCLUDED	INCLUDED	INCLUDED
<b>ONLINE MONITORING</b>	0004	INCLUDED	INCLUDED	INCLUDED	INCLUDED
<b>LOCKDOWN</b>	0005	NOT INCLUDED	INCLUDED	INCLUDED	INCLUDED
<b>ANTIPASSBACK</b>	0006	NOT INCLUDED	INCLUDED	INCLUDED	INCLUDED
<b>EVENT STREAM</b>	0007	NOT INCLUDED	INCLUDED	INCLUDED	INCLUDED
<b>AUTOMATIC KEY ASSIGNMENT</b>	0008	NOT INCLUDED	INCLUDED	INCLUDED	INCLUDED
<b>ROLL CALL</b>	0009	NOT INCLUDED	INCLUDED	INCLUDED	INCLUDED
<b>LIMITED OCCUPANCY</b>	0010	NOT INCLUDED	INCLUDED	INCLUDED	INCLUDED
<b>VISITOR MANAGEMENT</b>	0013	NOT INCLUDED	NOT INCLUDED	INCLUDED	INCLUDED
<b>BADGING MODULE</b>	0012	NOT INCLUDED	NOT INCLUDED	INCLUDED	INCLUDED
<b>DEPARTMENT OPERATOR</b>	0011	NOT INCLUDED	NOT INCLUDED	NOT INCLUDED	INCLUDED



# SALTO KS Platform components

## SALTO KS PLATFORM COMPONENTS

- IQ
- Tags
- Mobile app
- SALTOKS.com

The SALTO KS platform is more than just an online locking solution. When connected to other devices, such as cameras, SALTO KS reaches new levels in convenience and security.

---

## IQ

The IQ is the center of the SALTO KS solution. It connects your wireless locks to the My-SALTO KS cloud. Mount the IQ with the included mounting bracket, plug it into the power outlet and activate it in your saltoks.com account.

The SALTO KS Repeater allows you to extend the distance in between the SALTO KSIQ and your locks. IQ and locks can be 1–10 meters (3.30 ft to 33 ft) apart but each time you add a Repeater you extend this by 10 meters (33 ft). You may add 3 repeaters in between a IQ and a lock which means that maximum distance between door and IQ can go up to 40 meters (130 ft).

---

## Mobile App

Manage SALTO KS on-the-go! Available for IOS and Android Phones the SALTO KS App enables you to manage the access control system when you are on the go and in real time. It offers those features that you want to be able to do whenever and wherever.

---

## Tags

The SALTO KS tag is the smallest of the SALTO KS family but highly secure and just as good-looking. The heart of the tag holds the most secure RFID chip available in the market to make sure that its impossible to duplicate the tag ID.

---

## SALTOKS.com

The SALTO KS account allows you to define who goes where and when in a building. Create profiles for users, assign or block tags, define which doors they may enter on which days, at which times.



## SALTO KS IQ | CLOUD-BASED LOCKING SOLUTION

The IQ v.1.0 uses M2M cellular connectivity to communicate with SALTO KS access points, and the SALTO KS apps - no wi-fi required.



### FEATURES:

- Wireless radio frequency based on IEEE 802.15.4 at 2,4Ghz.
- AES 128bits encryption.
- Online in real time communication.
- Connectivity in +100 countries.
- Matching adapter included with 3 meter cable.
- Over the Air (OTA) firmware updates.
- TLS secured communication.
- No data outage risk through best roaming guaranty.
- Connects up to 16 doors per SALTO KS IQ.
- Unlimited SALTO KS IQ's per account.
- Cellular connection 2G.
- Local Access Management (LAM).

### PLATFORMS:



### TECH SPECS :

#### Operation conditions:

-Temperature: 0-40° C (32°F - 104°F).

#### 2.4Ghz RF Characteristics:

-Frequency Range: 2405-2480Mhz (ISM band).

-RF Standard: IEEE 802.15.4.

-Indoor Radio Range: 10/15m (33/45 ft).

#### GPRS RF Characteristics (SALTO KSIQ only):

-Frequency bands:

- EGSM-GPRS 900/850 radio.

- GSM-GPRS 1800/1900 radio.

- EGPRS 900/850 radio.

- EGPRS 1800/1900 radio.

- GSM/GPRS class 10 and EGPRS class 10 capable.

#### Power supply characteristics

(Only for use with SALTO KS's power supply)

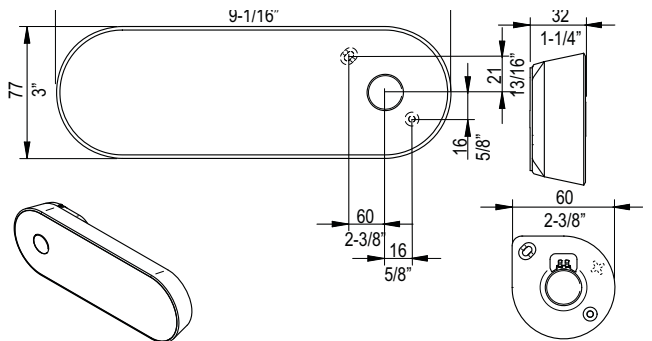
- Input voltage: 12v.

- Max current: 800 mA.

### PRODUCT ATTRIBUTES:

- **It always fits.** The SALTO KS IQ bracket adapts to your situation. Mount it horizontally or vertically, whatever suits best.
- **LED notification.** This means that besides through My-SALTO KS messaging also a visual notification on the device itself will inform you about the well-being of your SALTO KS system. Turn off "Heartbeat" Green Light on IQ if you prefer.
- **Extend distances.** Add up to 3 SALTO KS Repeaters in line and a maximum of 6 for each SALTO KS IQ between you access point and the SALTO KS IQ.

### TECHNICAL DRAWING:



### CERTIFICATIONS:





# Tags

## SALTO KS TAGS | CLOUD-BASED LOCKING SOLUTION

The SALTO KS tag is the smallest member of the SALTO KS family but highly secure and just as good-looking. The heart of the tag holds the most secure RFID chip available in the market to make sure that it's impossible to duplicate the tag ID.



### FEATURES:

- SALTO KS Tags meet ISO Standards
- Battery-free operation.
- Choice of 5 colours.
- Waterproof
- 13,56 Mhz
- Single SALTO KS Tag works for multiple SALTO KS systems.
- Secure, copy-proof data carrier for high security.
- Strong, ergonomic design for long life.
- High resistance to variations in weather conditions.
- Comfortable to use - can be carried on a key ring alongside traditional keys.
- SALTO SVN compatible.
- Dual Tag available. EM4200 125 kHz chip - Read Only.

### PLATFORMS:



### COLOURS:



### ID TECHNOLOGIES

- DESFire EV1 4K (4096 bytes).
- DESFire EV1 + SVN compatible.
- Dual Tag available: DESFire EV1 + EM4200 125 kHz chip.
- Dual Tag + SVN compatible.

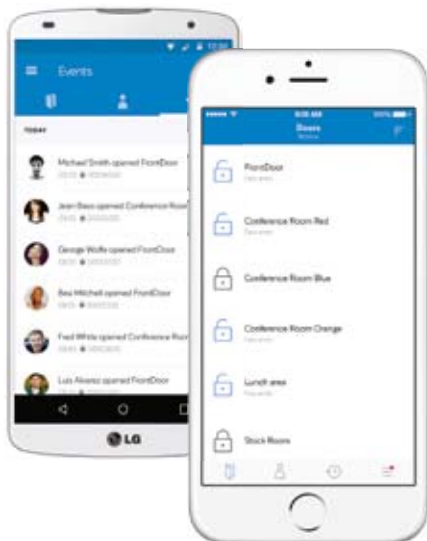
### PRODUCT ATTRIBUTE:

- **Adding Tags.** To add tags just select one of your doors and use the secured 2 minute window to present them at the lock.
- **Blocking Tags.** In case someone has lost or did not return one of your tags you simply block them via My-SALTO KS. Blocking is real-time without any delay and when you retrieve a tag you simply unblock it.
- **Security.** You can add any SALTO KS tag to your system but once they are added, they belong to that system. The RFID technology used is the same as in many governmental and military applications and uses AES algorithm.
- **1 Tag : 5 colors.** No one is alike and SALTO KS understands. That's why the tag will be available in 5 different colors.

# Mobile App

**SALTO KS APP** | CLOUD-BASED LOCKING SOLUTION

Manage SALTO KS on-the-go! Available for IOS and Android Phones, the SALTO KS App enables you to manage the access control system when you are on the go and in real-time. It offers those features that you want to be able to do whenever and wherever.



---

## PRODUCT ATTRIBUTE:

- **Remote Opening.** One of the cool but really functional features of SALTO KS's app, is the remote opening of doors with secure OneTimePassword technology. You may not use it every day but when you need it, you will be happy it's there.
- **Multiplatform.** You can manage SALTO KS cloud-based access control from any device – phone, tablet, pc - all you need is an online device with an Internet connection.
- **Reliability:** Ensuring real-time monitorization and solving immediately any issues caused.

---

## MOBILE APP AVAILABLE FROM STORE:



# Web Application

**SALTOKS.COM** | CLOUD-BASED LOCKING SOLUTION

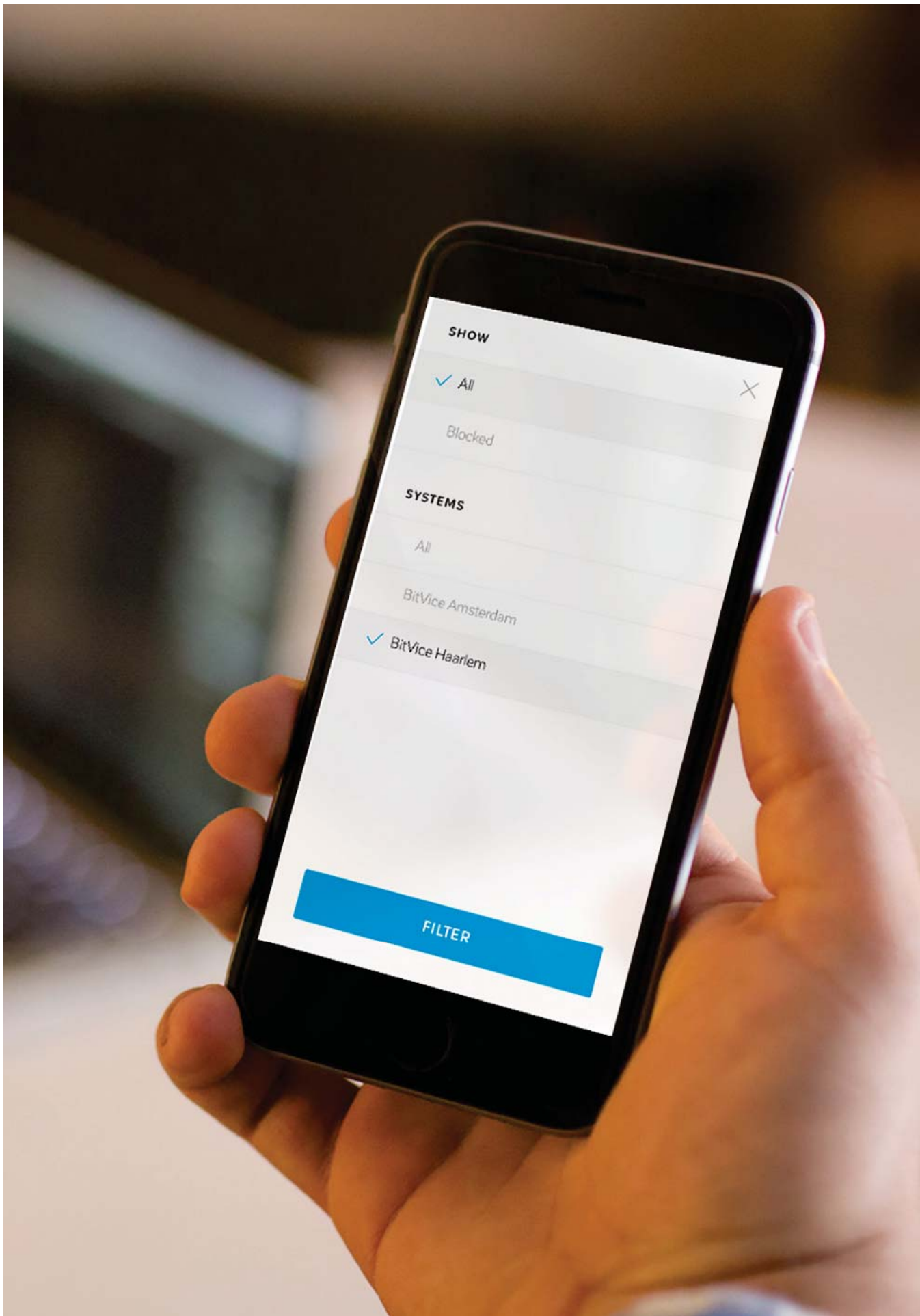
The SALTO KS account allows you to define who goes where and when in a building. Create profiles for users, assign or block tags, define which doors they may enter on which days, at which times.



---

## PRODUCT ATTRIBUTE:

- **The Dashboard.** saltoks.com always gives you up-to-date information and remote management of all users and access points through the dashboard.
- **Access rights, who, where, when...** No conventional key can change access rights on the fly. Saltoks.com gives you the opportunity to individually determine who enters when and where. And if you want to change that just log-in, make your changes and it's done. No updating of tag or access point required. Have you ever been able to do this with your current lock?
- **Messaging:** saltoks.com always gives you up-to-date information and remote management of all system components through the dashboard. It's all there: Door status, last entries and events, alarms and the possibility to open and lock doors remotely.
- **Security:** SALTO understands the importance of security. That's why we have incorporated state-of-the-art security measures in all our components and more importantly, we will keep updating that permanently. Not always visible but always there.
- **Multiplatform:** You can manage SALTO KS from any device – phone, tablet, pc - all you need is an online device with an Internet connection.





---

## About us

At SALTO we are very focused on listening to the market and to our customers, wherever they may be, to ensure that we understand how to best offer value-added solutions. It is this level of service and support that differentiates SALTO, and it is also why SALTO products can be found in over 90 countries around the world.

## OUR COMMITMENT TO BEST SERVICE

---

**To ensure we deliver the very best possible service, SALTO needs to be where our customers are.**

This is why SALTO has its own offices in Australia, Belgium, Canada, China, Colombia, Czech Republic, Denmark, France, Finland, Germany, Hong Kong, Italy, Mexico, The Netherlands, Norway, Poland, Portugal, Singapore, Slovak Republic, Spain, South Africa, Switzerland, UAE, UK and USA.

Our office network will continue to grow to make certain that SALTO provides unrivalled levels of warranty support and service.

## SALTO PARTNER NETWORK

---

**As well as our SALTO offices, we also have a specialized partner network in over 90 countries.**

These offices count on expertise from specialists in the security industry who share the same values of enthusiasm and commitment as SALTO, and who are ready to provide customers with the very best support and service.

SALTO's official partners are all security specialists.

## THE ACCESS CONTROL PARTNER YOU CAN RELY ON

---

**At SALTO we have all key activities in-house, from product conception and design, right up through the final manufacturing and shipping processes.**

This continuity allows SALTO to warranty our products to the highest quality standards, thereby giving our customers the flexibility, delivery and peace of mind they require.

At SALTO, we believe this type of direct control best enables us to continue to develop, launch and support the most effective access control solutions available.

SALTO is ISO 9001:2008 and ISO 14001 certified, demonstrating that rigorous quality and environmental management systems are in place to ensure the design, development and manufacture of our electronic access control products always strive to achieve the highest possible standards in quality, as required by our customers.

## SOCIAL RESPONSIBILITY (CSR)

---

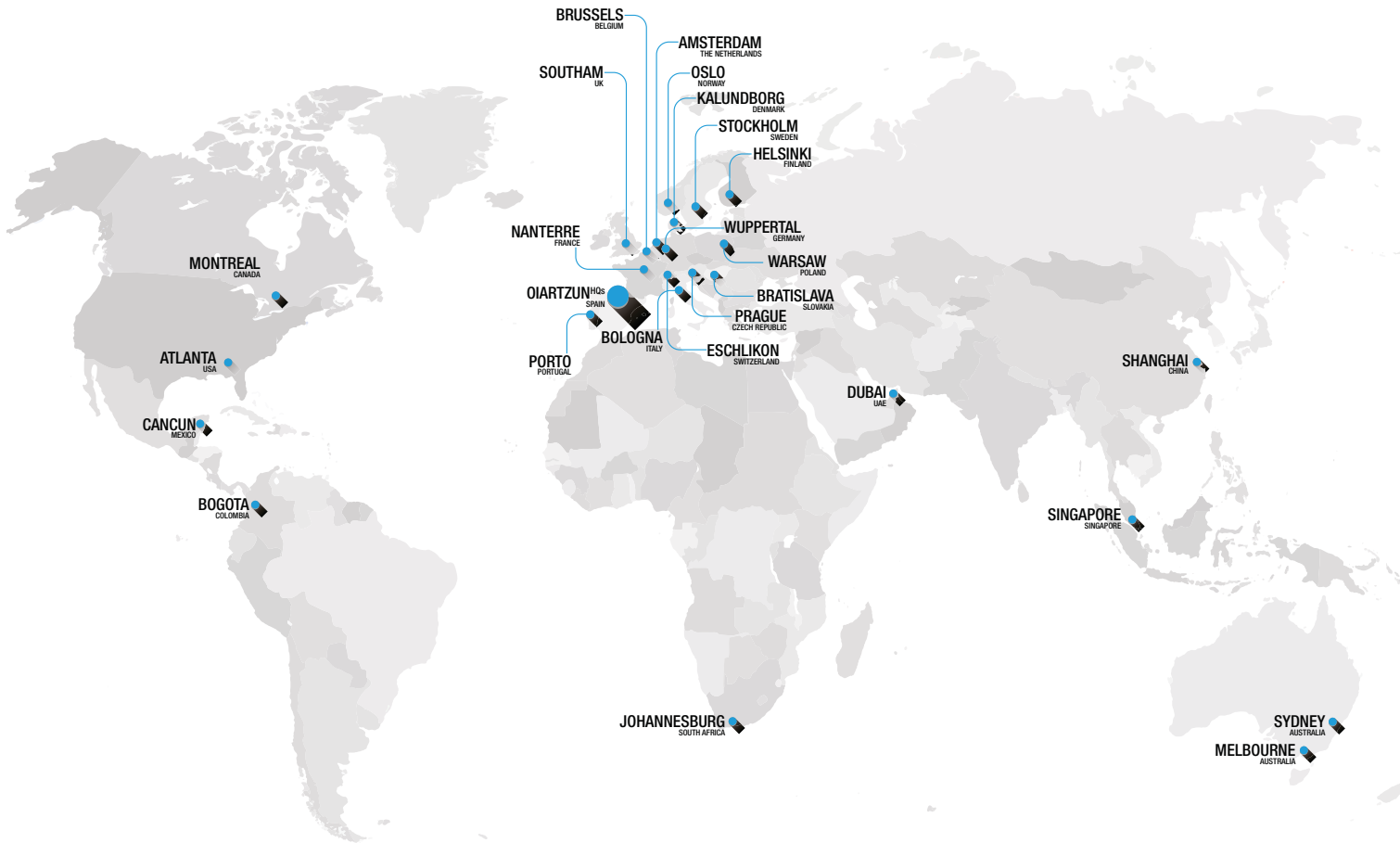
**SALTO Systems takes very seriously its responsibility to play a leading role in the social development of the local community around its many offices throughout the world.**

In 2005 this effort was channelled into creating the free2move.org social initiative that works to promote handicapped sport as a means of achieving greater social integration, and thereby defying the assumption that people with a physical disability cannot lead a life of excellence and achievement.

**[www.free2move.org](http://www.free2move.org)**

Find us on Facebook - Instagram - Twitter & YouTube | @free2moveorg





**SALTO Systems, USA**

Norcross, GA

Tel.: +1 770 452 6091  
email: info.us@saltosystems.com  
www.salto.us

**SALTO Systems, USA**

New York, NY

Tel.: +1 770 452 6091  
email: info.ny@saltosystems.com  
www.salto.us

**SALTO Systems, Canada**

Vaudreuil-Dorion QC, Canada

Tel.: +1 514 616 2586  
email: info.ca@saltosystems.com  
www.saltosystems.ca

**SALTO Systems, Mexico**

Cancún, México

Tel.: +52 (998) 892 8752  
email: info.mx@saltosystems.com  
www.saltosystems.com

**SALTO Systems, Colombia**

Bogota, Colombia

Tel.: +57 320 924 3634  
email: info.co@saltosystems.com  
www.saltosystems.com

**SALTO Systems, HQ, Spain**

Oiartzun, Spain

Tel.: +34 943 344 550  
email: info@saltosystems.com  
www.saltosystems.com

**SALTO Systems, UK**

Southam, United Kingdom

Tel.: +44 01926 811979  
email: info.uk@saltosystems.com  
www.saltosystems.co.uk

**SALTO Systems, Australia**

Waterloo - Sydney, Australia

Tel.: +61 (0)2 9319 3393  
email: info.au@saltosystems.com  
www.saltosystems.com.au

**SALTO Systems, Middle East**

Dubai, United Arab Emirates

Tel.: +971 4399 5770  
email: info.me@saltosystems.com  
www.saltosystems.com

**SALTO Systems, France**

Nanterre, France

Tel.: +33 (0)1 55 17 13 70  
email: info.fr@saltosystems.com  
www.saltosystems.fr

**SALTO Systems, Germany**

Wuppertal, Deutschland

Tel.: +49 (0)202/ 769 579-0  
email: info.de@saltosystems.com  
www.saltosystems.de

**SALTO Systems, Switzerland**

Eschlikon, Switzerland

Tel.: +41 71 973 72 72  
email: info.ch@saltosystems.com  
www.saltosystems.ch

**SALTO Systems, Netherlands**

Amsterdam, The Netherlands

Tel.: +31 206 353 100  
email: info.nl@saltosystems.com  
www.saltosystems.nl

**SALTO Systems, Belgium**

Brussels, Belgium

Tel.: +32 25 88 50 68  
email: info.be@saltosystems.com  
www.saltosystems.be

**SALTO Systems, Poland**

Warszawa, Polska

Tel.: +48 609 01 7777  
email: info.pl@saltosystems.com  
www.saltosystems.pl

**SALTO Systems, Slovakia**

Bratislava, Slovakia

Tel.: +421 915 579 500  
email: info.sk@saltosystems.com  
www.saltosystems.com

**SALTO Systems, Czech Republic**

Prague, Czech Republic

Tel.: +420 734 258 882  
email: info.cz@saltosystems.com  
www.saltosystems.com

**SALTO Systems, Denmark**

Kalundborg, Denmark

Tel.: +45 48 44 88 11  
email: info.dk@saltosystems.com  
www.saltosystems.dk

**SALTO Systems, Norway**

Jessheim, Norway

Tel.: +47 63 95 40 20  
email: info.no@saltosystems.com  
www.saltosystems.no

**SALTO Systems, Sweden**

Stockholm - Malmö, Sweden

Tel.: +46 8-775 87 00  
email: info.se@saltosystems.com  
www.saltosystems.com

**SALTO Systems, Finland**

Vantaa, Finland

Tel.: +45 48 44 88 11  
email: info.fi@saltosystems.com  
www.saltosystems.fi

**SALTO Systems, Italy**

Bologna, Italy

Tel.: +39 051 72 77 98  
email: info.it@saltosystems.com  
www.saltosystems.com

**SALTO Systems, Portugal**

Lisboa - Porto, Portugal

Tel.: +351 220 937 508  
email: info.pt@saltosystems.com  
www.saltosystems.com

**SALTO Systems, Singapore**

Singapore

Tel.: +65 6557 22 55  
email: info.sg@saltosystems.com  
www.saltosystems.com

**SALTO Systems, China**

Shanghai, China

Tel.: +86 (21) 3157 6115  
email: info.cn@saltosystems.com  
www.saltosystems.com

**SALTO Systems, Hong Kong**

Hong Kong

Tel.: +852 2855 6981  
email: info.hk@saltosystems.com  
www.saltosystems.com

**SALTO Systems, South Africa**

Johannesburgo, South Africa

Tel.: +27 (83) 293 07 96  
email: info.za@saltosystems.com  
www.saltosystems.com

# SALTO

inspired**access**

To understand the full potential of the SALTO XS4 PLATFORM  
for your building, please contact your local  
SALTO office to set up a live demo.



The access control company you can rely on:  
[www.saltosystems.com](http://www.saltosystems.com)

