



**SALTO  
LOCK LINK SYSTEM**

A NEW  
WAY TO  
CONNECT  
**PEOPLE TO  
ACCESS**

The access control technology you can rely on.  
[www.saltosystems.com](http://www.saltosystems.com)



[esslockingsystems.com](http://esslockingsystems.com)

**847.767.3100**





# A NEW CONCEPT IN ACCESS CONTROL

In today's fast moving and constantly changing world, nothing stays the same for long.

Technology is now the engine of evolution and the drive to achieve ever greater speed, efficiency, control and cost savings is growing. New needs appear; new employees start work and new working practices are developed, all of which means security too has to continually change and evolve to keep pace.

As a result, buildings and workspaces need to be flexible and adaptable, ready to incorporate new technologies using stand alone door units with real time online capabilities that are inspiring to use.

That's why SALTO has developed SALLIS, a brand new wireless technology that allows the use, through a very simple integration, SALTO stand alone, online devices with access control platforms.

**SALLIS**  
by SALTO



# SALTO LOCK LINK SYSTEM WHAT CAN SALLIS DO FOR YOU?

SALLIS is a new technology that enables users to expand their existing access control system to become a much more powerful solution. With SALLIS, you can enjoy the benefits of having stand alone locks on virtually any kind of door by using SALTO SALLIS electronic locks, panic bars, glass door locks, electronic cylinders and more. With SALLIS technology, SALTO devices communicate wirelessly with your access control system in real time, in a cost effective solution.

SALLIS uses an open standard protocol that enables a wide range of stand alone locking devices to work seamlessly with but independently of your existing access control system or its manufacturer. There's no longer any need to hard wire doors, giving you the ability to turn any door into a fully featured access control door where previously wiring was difficult, expensive or even impossible.



## COST EFFECTIVE

SALLIS is a cost effective technology as it dramatically reduces the installation costs of access control devices. The stand alone online wireless devices are easy to install, and they allow you to use your existing credentials thereby avoiding expensive migration costs. The ergonomic architecture of the system enables the connection of several devices to a single node, and one router can manage several nodes.



## FLEXIBLE

The installation is very simple as there's no need to hard wire the door. Moreover thanks to the huge range of SALTO products, virtually any kind of door (narrow profile, aluminum doors, heavy duty doors, panic bars, glass doors, etc.) can be equipped with SALLIS stand alone access control.



## SECURE

SALLIS uses wireless communication at 2,4 Ghz 802.15.4 with an AES 128bits encryption. SALTO devices are also very secure as they have been tested and approved to the highest security standards. And to ensure access is never compromised and no access point is ever left without control, two operating systems ensure users keep control of their doors even when they are off-line.

## FUTURE PROOF

**I SALTO TECHNOLOGIES AND PRODUCTS ARE FUTURE PROOF** as they have been conceived and developed with the future in mind. The latest available technology is always implemented into SALTO products including mainstream RFID technologies such as Mifare, Mifare Plus, DESfire, DESfire EV1, HID iClass, Picopass, Legic and Legic Advant.

## POWERFUL SYSTEM

**I WITH SALLIS**, your access control system can benefit from online features in a stand alone environment. Without wiring you can remotely control online doors with SALTO Wireless technology. Bi-directional system allows remote openings and emergency lockdowns. With live audit trails, live door control, and live battery control, add and remove access privileges. More than 25 different commands can turn your access control platform into a more powerful system.

# SALLIS BENEFITS

Unique carrier for the online devices and the stand alone online devices.

Cost effective because of the one to several relationship between locks and nodes.

Powerful diagnosis tool thanks to over 25 different event codes within the audit trail.

Customisable behaviour in event of network failure (based on audit trail or white list system).

Based on audit trail: When lock is offline, lock will grant access to the user according to their last user event within the lock. For high transit doors.

Based on white list system: up to 20 master keys subject to time zones can be stored in the lock memory. With a proper set up, no door will be left without control. 600 audit trail events stored on the lock, regardless of the state of the communication with the host.

Wireless communication AES128 encrypted.

Wireless communication at 2.4ghz based on IEEE 802.15.4

Online audit trail.

Online battery status control.

Live door monitoring.

20 emergency codes subject to time zones.

Huge range of door locking devices (ANSI heavy duty escutcheons, mortise and RIM profile electronic cylinders, AElement electronic handle set, panic bar devices, glass door locks, etc.).

AELEMENT



ELECTRONIC LOCKS FOR ANSI MORTISE LOCKS



ELECTRONIC LOCKS FOR GLASS DOORS



ELECTRONIC CYLINDERS: PADLOCKS



ADVANCED PANIC BAR SOLUTIONS



# HOW DOES IT WORK?

SALLIS is a new technology that enables you to link your access control system to the SALTO SALLIS wireless platform through your company access control panel or door controllers. It provides all the capability of the access control system to virtually any kind of door, without the need for any complex wiring, just through a simple integration.

Except for the simple setup software that can be removed afterwards, no SALTO software is required for management of the SALLIS locks.

The system consists of 4 elements that interact with each other to deliver the architecture of the system.

The HOST is the access control panel where the all the information related to access is hosted (users, time periods, calendars, etc.).

The **SALTO ROUTERS** are the link between the host and the rest of the platform and enable communication with the wireless system.

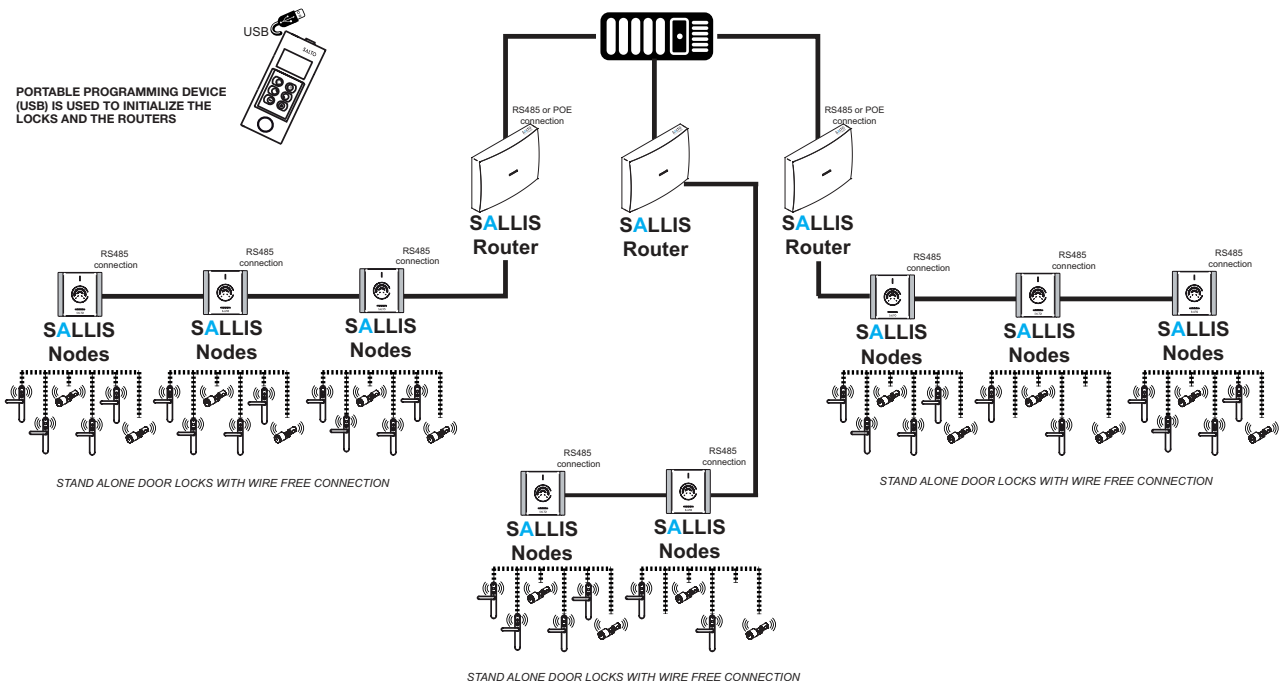
The **SALTO NODES** are the wireless messenger between the SALTO Router and the Wireless locks.

The **WIRELESS LOCKING DEVICES** are the core of the locking system itself and enable control of doors without need for complex wiring installations.

## COMMUNICATION FLOW

The user badges his credential to the SALTO SALLIS lock. In a fraction of a second, the lock will send the relevant information cached from the user's credential to the SALTO Wireless Nodes. The information sent from the Nodes will be routed to the host through the SALTO Router. The host will take the decision based on the information received and the access control plan. The result will be sent back to the SALLIS locks through the SALTO SALLIS infrastructure and the user will be granted or denied access by the locks accordingly.

## SYSTEM ARCHITECTURE



# TECHNICAL FEATURES

## LOCK FEATURES

Wireless radio frequency based on IEEE 802.15.4 at 2,4Ghz.

AES 128 bits encryption.

ID Technologies available: Mifare, Mifare Plus, DESfire, DESfire EV1, HID iClass, Picopass, Legic and Legic Advant.

Battery powered (3 standard AAA batteries or 3 AA batteries depending on the model).

Firmware updated via PPD.

600 event audit trail back up.

Clutch mechanism escutcheon; when unlocked handle moves free.

Door thickness compatibility: 30mm to 115mm.

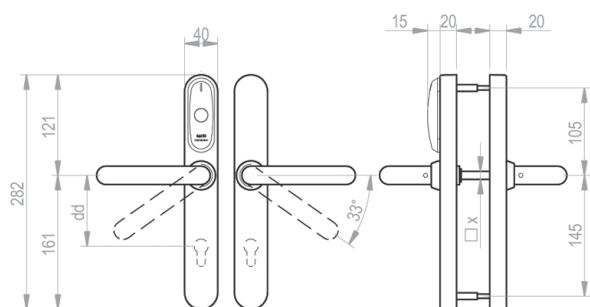
Body and escutcheon made of steel.

Square spindles available: 8 mm (5/16") and Diamond (9/32")

IP45 compliant.

EN1634-1 EI160 Fire Resistant.

UL 10C Compliant (90min wooden doors).



## NODE FEATURES

Wireless radio frequency based on IEEE 802.15.4 at 2,4Ghz.

AES 128 bits encryption.

Connection to the router through RS485.

Can manage up to 16 locks.

Firmware update through PPD.

## ROUTER FEATURES

Wireless radio frequency based on IEEE 802.15.4 at 2,4Ghz.

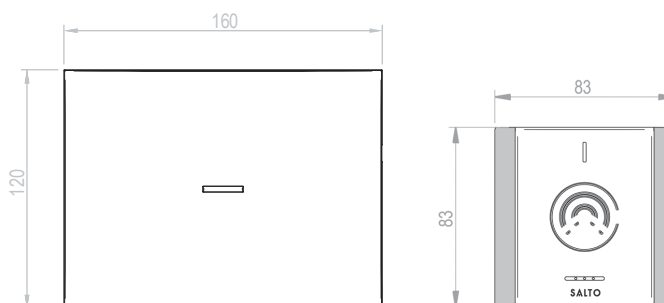
AES 128 bits encryption.

Connection to the HOST through RS45 or IP.

Voltage required 12V (POE version or ext adaptor).

Can manage up to 16 locks (RS485) or 64 (IP) regardless of the number of nodes.

Relation of router to node is one to several.



## EVENTS POSSIBLE FOR INTEGRATION

Open with inside handle.

Open with card.

Open with metallic key.

Open with PPD.

Open from Host.

Open offline with a memorised ID Code.

Start Office Mode with card.

End Office Mode with card.

Intrusion alarm.

Tamper alarm.

Door Left Open alarm.

End of Door Left Open alarm.

End of Intrusion alarm.

Start Office Mode ordered by Host.

End of Office Mode ordered by Host.

End of Tamper alarm.

The communication with the lock has been lost.

The communication with lock has been re-established.

Card rejected.

Card out of time.

Card rejected because of low battery power.

Card rejected offline.

Low battery warning.

The access control technology you can rely on.  
[www.saltosystems.com](http://www.saltosystems.com)

**SALTO Systems, USA**  
Norcross GA, USA

Tel.: +1 770 452 6091  
email: [info@salto.us](mailto:info@salto.us)  
[www.salto.us](http://www.salto.us)

**SALTO Systems HQ, Spain**  
Olartzun, Spain

Tel.: +34 943 344 550  
email: [info@saltosystems.com](mailto:info@saltosystems.com)  
[www.saltosystems.com](http://www.saltosystems.com)

**SALTO Systems, UK**  
Southam, UK

Tel.: +44 01926 811979  
email: [info.uk@saltosystems.com](mailto:info.uk@saltosystems.com)  
[www.saltosystems.co.uk](http://www.saltosystems.co.uk)

**SALTO Systems, Asia**  
Singapore

Tel.: +65 6557 22 55  
email: [info.asia@saltosystems.com](mailto:info.asia@saltosystems.com)  
[www.saltosystems.com](http://www.saltosystems.com)

**SALTO Systems, Australia**  
Waterloo - Sydney, Australia

Tel.: +61 1 3007 39959  
email: [info.sydney@saltosystems.com](mailto:info.sydney@saltosystems.com)  
[www.saltosystems.com.au](http://www.saltosystems.com.au)

**SALTO Systems, Australia**  
Melbourne, Australia

Tel.: +61 1 3007 39959  
email: [info.melbourne@saltosystems.com](mailto:info.melbourne@saltosystems.com)  
[www.saltosystems.com.au](http://www.saltosystems.com.au)

**SALTO Systems, Canada**  
Vaudreuil- Dorion QC, Canada

Tel.: +1 514 616 2586  
email: [info@saltosystems.ca](mailto:info@saltosystems.ca)  
[www.saltosystems.ca](http://www.saltosystems.ca)

**SALTO Systems, Colombia**  
Bogota, Colombia

Tel.: +57 1 810 7013  
email: [info.co@saltosystems.com](mailto:info.co@saltosystems.com)  
[www.salto.us](http://www.salto.us)

**SALTO Systems, Germany**  
Wuppertal, Deutschland

Tel.: +49 202 769579-0  
email: [info.de@saltosystems.com](mailto:info.de@saltosystems.com)  
[www.saltosystems.de](http://www.saltosystems.de)

**SALTO Systems, Mexico**  
Cancún, México

Tel.: +52 (998) 892 8752  
email: [info.mexico@salto.us](mailto:info.mexico@salto.us)  
[www.salto.us](http://www.salto.us)

**SALTO Systems, Middle East**  
Dubai, United Arab Emirates

Tel.: +971 48 811 050  
email: [info.me@saltosystems.com](mailto:info.me@saltosystems.com)  
[www.saltosystems.com](http://www.saltosystems.com)

**SALTO Systems, Netherlands**  
Amsterdam, The Netherlands

Tel.: +31 206 353 100  
email: [info.nl@saltosystems.com](mailto:info.nl@saltosystems.com)  
[www.saltosystems.nl](http://www.saltosystems.nl)

**SALTO Systems, Belgium**  
Belgium

Tel.: +31 206 353 100  
email: [info.be@saltosystems.com](mailto:info.be@saltosystems.com)  
[www.saltosystems.be](http://www.saltosystems.be)

**SALTO Systems, Denmark**  
Kalundborg, Denmark

Tel.: +45 48 44 88 11  
email: [info.nordic@saltosystems.com](mailto:info.nordic@saltosystems.com)  
[www.saltosystems.dk](http://www.saltosystems.dk)

**SALTO Systems, Norway**  
Jessheim, Norway

Tel.: +47 46 747 884  
email: [info.no@saltosystems.com](mailto:info.no@saltosystems.com)  
[www.saltosystems.no](http://www.saltosystems.no)

**SALTO Systems, Portugal**  
Porto, Portugal

Tel.: +351 220 937 508  
email: [info.portugal@saltosystems.com](mailto:info.portugal@saltosystems.com)  
[www.saltosystems.com](http://www.saltosystems.com)

**EVVASALTO ACCESS AB**  
Huddinge, Sweden

Tel.: +46 (0)8-555 982 00  
email: [sverige@evvasalto.se](mailto:sverige@evvasalto.se)  
[www.evvasalto.se](http://www.evvasalto.se)

**SALTO Systems, France**  
Nanterre, France

Tel.: +33 (0)1 55 17 13 70  
email: [info.fr@saltosystems.com](mailto:info.fr@saltosystems.com)  
[www.saltosystems.fr](http://www.saltosystems.fr)

**SALTO Systems, Italy**  
Bologna, Italy

Tel.: +39 342 55 67 739  
email: [info.it@saltosystems.com](mailto:info.it@saltosystems.com)  
[www.saltosystems.it](http://www.saltosystems.it)

**SALTO Systems, Switzerland**  
Eschlikon, Switzerland

Tel.: +41 71 973 72 72  
email: [info.ch@saltosystems.com](mailto:info.ch@saltosystems.com)  
[www.saltosystems.ch](http://www.saltosystems.ch)

**SALTO Systems, South Africa**  
Johannesburg, South Africa

Tel.: +27 (83) 293 07 96  
email: [info.za@saltosystems.com](mailto:info.za@saltosystems.com)  
[www.saltosystems.com](http://www.saltosystems.com)

**SALTO Systems, Poland**  
Warszawa, Polska

Tel.: +48 609 01 7777  
email: [info.pl@saltosystems.com](mailto:info.pl@saltosystems.com)  
[www.saltosystems.pl](http://www.saltosystems.pl)

**SALTO Systems, Slovakia**  
Bratislava, Slovakia

Tel.: +48 609 01 7777  
email: [info.sk@saltosystems.com](mailto:info.sk@saltosystems.com)  
[www.saltosystems.com](http://www.saltosystems.com)

**SALTO Systems, Czech Republic**  
Prague, Czech Republic

Tel.: +48 609 01 7777  
email: [info.cz@saltosystems.com](mailto:info.cz@saltosystems.com)  
[www.saltosystems.com](http://www.saltosystems.com)